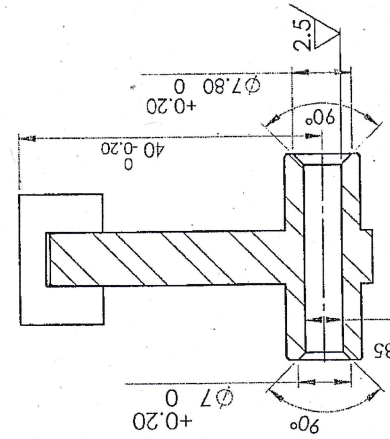
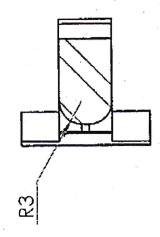


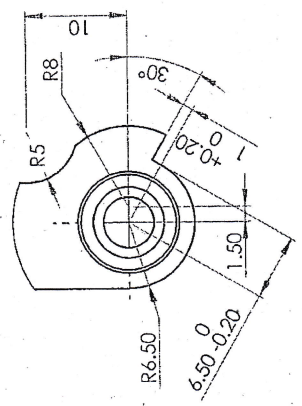
SECTION D-D



SECTION A-A



SECTION H-H




DETAIL B

UN CONTROLLED COPY

Pilot Sample to be get approved before bulk production

Material :-
Forging OFI Drg. No.
 BS:970 Pt.1 1983 Gr.817 M40 (En-24)
 BS:970 Pt.1 1983 Gr.826 M31 (En-25)
 BS:970 Pt.1 1983 Gr.826 M40 (En-26)
Hardness: 415-480 HV
Protective Finish:
 Phosphating to Specn.
 JSS: 0465-01-1994 Class II Oil Finish
 Untolerated Dimens. as per IS:2102 (MED) c

14/9/12
[Signature]
 Ordnance Factory,
 Trichirappalli-62001A

SIGNATURE & DATE.		SUB: Hammer		SCALE	
TRACED		FOR: General Assy		NTS	
DRAWN		OF: TRICHY ASSAULT RIFLE		QPG	
CHECKED		DES.REF.NO. K-2061		1	
O/C/D&DO		DRG. No.: TAR-K- 2061 *2		Weight	
O/ICER/PRODN		ORDNANCE FACTORY		39.18g	
D&DO		TRICHIRAPPALLI-16.		SHEETS: 1	
APPROVED ON: 20/02/2018				SHEET No.: 1	

- (b) DA No. 49/80
- (c) DA No. 24/80
- (d) DA No. 24/80
- (e) DA No. 18.3.20

MARKING: -

* MANUFACTURER CODE
 + BATCH/YEAR OF MANUFACTURE