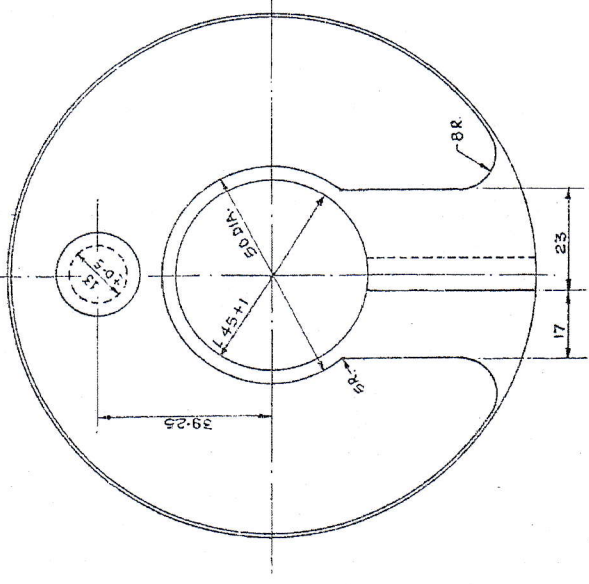
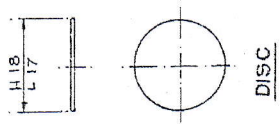
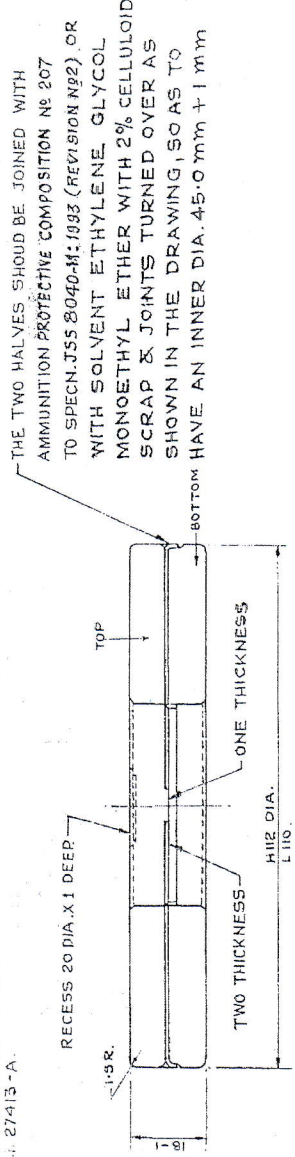


PART NO
ITV 21
D.C. 27413-A



NOTE

THE CONTAINERS SHALL BE MADE FROM NYLON REINFORCED (BACKED) CELLULOID SHEETS.

(i) THE CELLULOID SHEETS SHALL HAVE AN AVERAGE THICKNESS OF 0.73 mm TO SPEC. J55 1375-03:1998 AND SHALL CONFORM TO SPECN. TO SPECN. (REVISION NO 1) IN ALL OTHER RESPECTS.

(ii) THE NYLON NETTING SHALL HAVE A MASS OF 9 TO 12 g/m². ~~BE SQUARE-METER.~~ IN OTHER RESPECTS IT SHALL BE SUBJECT TO THE PRIOR APPROVAL OF THE INSPECTOR.

(iii) THE NYLON WILL BE ON THE EXTERNAL SURFACE

(iv) NET NYLON TO SPECN. IND/ME/742 (α)

(v) NYLON NETTING TO BE FIXED ON CELLULOID WITH SOLVENT ETHYLENE GLYCOL MONO ETHYL ETHER TO SPECIFICATION IND/ME/422(α) OR DIACETONE ALCOHOL TO SPECIFICATION IS 2252:1988 (SECOND REVISION)

(vi) THE CONTAINERS SHOULD PASS LEAKAGE TEST.

(vii) CONTAINER TO BE COLOURED 'LIGHT BLUE' OR 'RED' AS REQUIRED.

BASED ON DRG. NO. E.R.D.L. 480.

PROTECTIVE FINISH:-				MATERIAL: AS ABOVE			
ESTIMATED MASS:-				ASSLY. DRG.			
SCALE:-				INSPI. INSTRS.			
				DRAWN CHECKED TRACED TRNCHD			
				F.M.B. H.L.P. Z.S.			
				CHIEF D'MAN GROUP OFFICER			
				SPL. (Y.K.DEO)			
				APPROVED			
				SPL. D.O.C.I(A)			
				DATE: 1-23-1-65			
				DESIGNER'S REF.			
				CIA/AMN/555			
				DETAIL NO.			
				PART NO.			
				ITV 21			
				C.I(A). KIRKEE			

CONTAINER

9-7-204	D.C. 36747-A	UNDER NOTE SPEC AMENDED				
16-7-93	D.C. 35520-A	MATL SPEC AMENDED (1)				
20-8-92	D.C. 35366-A	SPEC. RE. APC. N1.207 AMENDED				
18-1-83	D.C. 33387-A	ALTERNATIVE JOINING MATERIAL ADDED				
28-3-77	D.C. 32323-A	NOTE: (V) - SPECN. IS 2252 WAS 15.225				
30-9-76	D.C. 32134-A	NOTE: (V) - THE TWO HALVES ... T55 1325A & NYLON NETTING ... IND/ME/422 AMENDED TO READ AS NOW SHOWN				
11-2-78	D.C. 31957-A	DRG. CONVERTED TO SLUNITS				
1-12-78		RETRACTED WITHOUT CHANGE				
		PREVIOUS D.C. NO. 1-27413-A, 27543-A, 27758-A, 28202-A & 28702-A.				
		NATURE				
		AMENDMENTS				
		DRG. SEAL: 1-2-65 (PRV)				

D.O.C.I(A)
SPL.