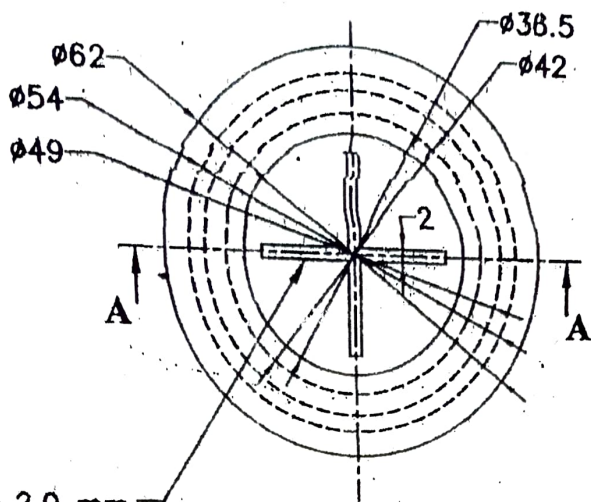


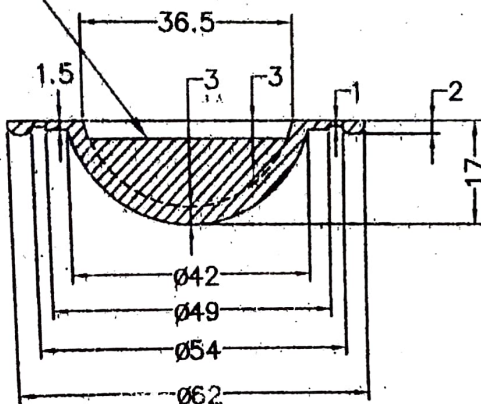
RUBBER STUD

6-PERSET



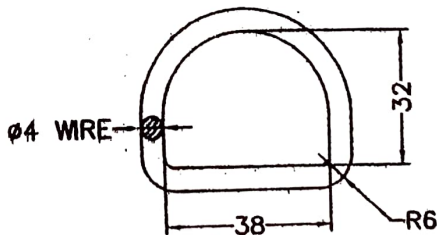
PLUS(+)SHAPE 2.0 mm THICKNESS

SECTION:-AA



D-RING

2-PERSET



CONTROLLERATE OF QUALITY ASSURANCE
(TEXTILE & CLOTHING)
MINISTRY OF DEFENCE (DGQA)
ASHOK PATH, KANPUR

30/4/16
AJAY KUMAR
JTO(D)

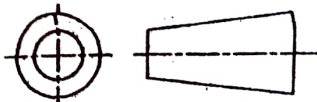
DATE	NAME
DGN.	
DRN.	Ajay Kumar
CHD.	Ajay Kumar
TRD.	
COMP.	

PASSED BY:-

GO/TC-6

SCALE : ---

**BAG KIT UNIVERSAL
(MK-2)**



ALL DIMENSIONS ARE IN mm

Drq Attached to Prov. Specn. No. S/2532/
Bag Kit Universal (OGYTC-6 (a))

APPROVED BY:-

OC/TC-6