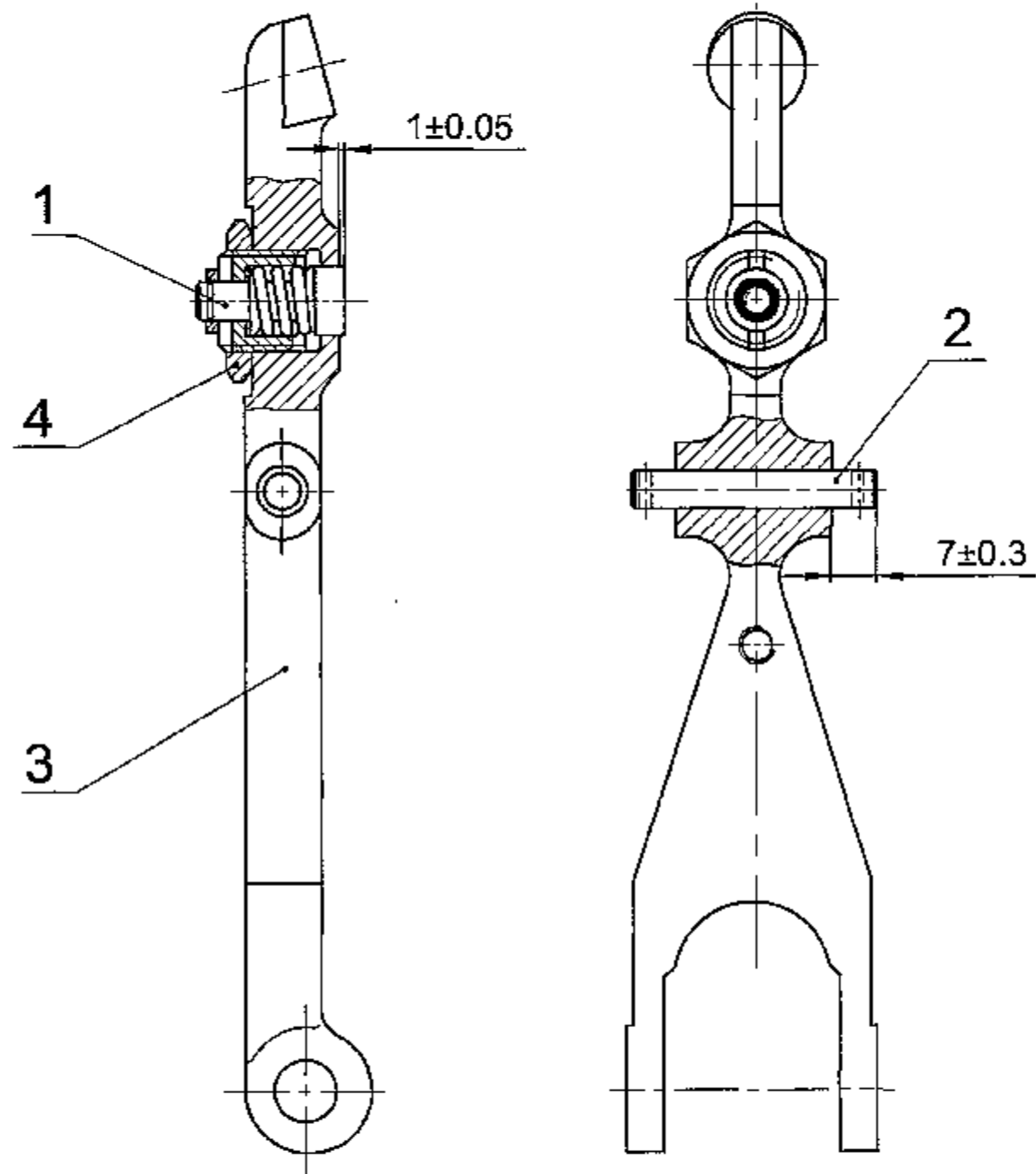


DRAWING NUMBER

Cb.315-659-2



Arrange the holes for split pins in part item 2 with a maximum angle of 30° with respect to vertical axis towards any side.

DRAWING INDIANISED BASED ON RUSSIAN ORIGINAL ISSUE - 3

PILOT SAMPLE SHOULD BE APPROVED BY A H S P BEFORE BULK PRODUCTION.

EST. WT. **0.27** TO BE STAMPED OR MARKED WHERE INDICATED THUS # (LETTERS)

ALL SHARP EDGES AND CORNERS TO BE REMOVED UNLESS OTHERWISE STATED MACHINED CORNERS TO HAVE R OUT-SIDE R INSIDE EQUIVALENT CHAMFERS ARE PERMISSIBLE.

| ISSUE | DATE | NATURE OF AMENDMENTS |
|-------|----------|----------------------|
| 3A | 18.08.08 | D.O.CORRECTION |

| | | |
|--|---|---------------------|
| DRN | MATERIAL :- | USED ON :- |
| CHD | | Cb.315-777-2 |
| APPD | CONTROLLERATE OF QUALITY ASSURANCE (HEAVY VEHICLES) | |
| DATE | AVADI | |
| SCALE:- 1:1 | TITLE :- LOAD BEARING LEVER ASSY (3A) | |
| DIMENSIONS IN mm | D S CAT NUMBER | DRAWING NUMBER |
| TOLERANCE ON DIMNS UNLESS OTHERWISE STATED IS: 2102-69 | | Cb.315-659-2 |
| ALL THREADS TO CONFORM TO | | |

F-5
30
283
SIZE A3

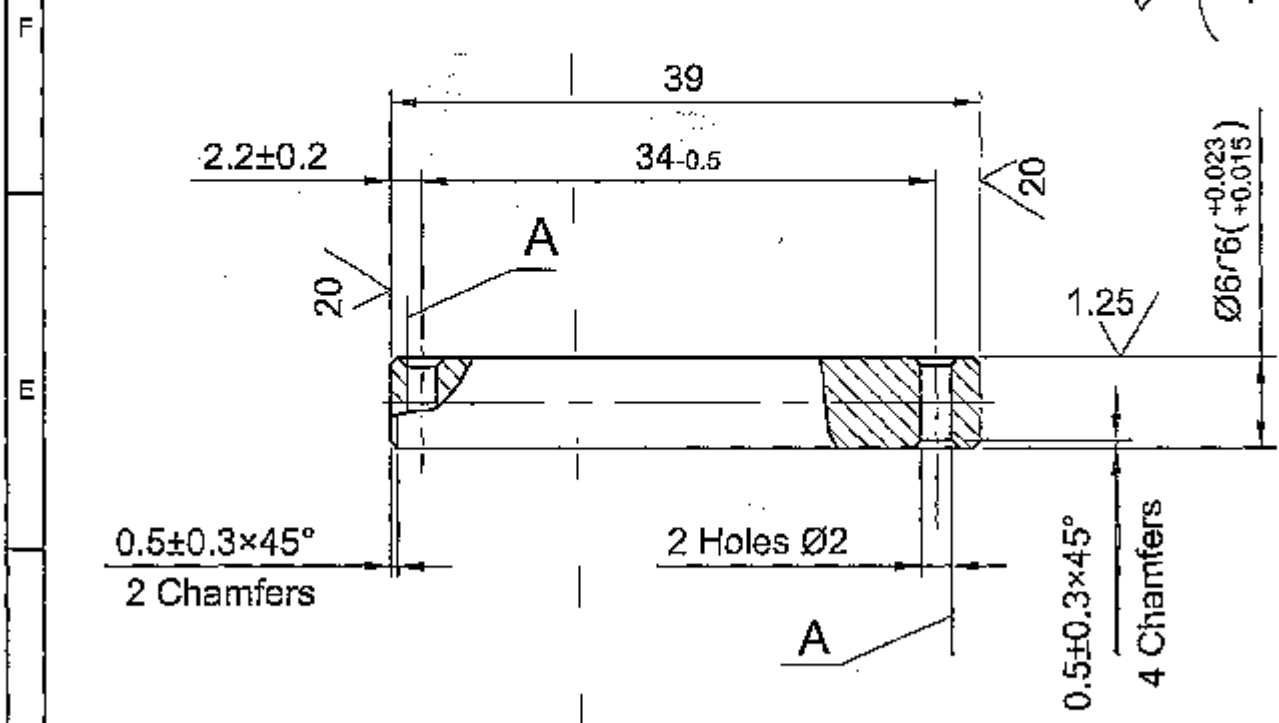


| USED ON | | ZONE | ITEM NO | DRAWING NUMBER | D S CAT NUMBER | DESCRIPTION | QTY | REMARKS | |
|---------------|---------|-----------------|---------------------|--|----------------|--------------|--------------------|----------------------|--|
| Cb 315-777-2 | | | | Cb.315-659-2 | | LOAD BEARING | | | |
| | | | | ITEM LIST | | LEVER ASSY. | | | |
| | | | 1 | Cb.315-660-35 | & I/L | | INCREASING | 1 | |
| | | | | | | | CORRECTOR OF | | |
| | | | | | | | MOMENT ASSY. | | |
| | | | 2 | 315-632-6 | | | SPRING PIN | 1 | |
| | | | 3 | 315-779 | | | LOAD BEARING LEVER | 1 | |
| | | | 4 | 315-795 | | | LOCK NUT | 1 | |
| | | | | | | | | | |
| | | | | | | | | | |
| F-5 29/283 | | ISSUE | DATE | NATURE OF AMENDMENTS | | ISSUE | DATE | NATURE OF AMENDMENTS | |
| | | DRN | <i>Blitz</i> | CONTROLLERATE OF QUALITY ASSURANCE (HEAVY VEHICLES) AVADI. | | | | | |
| | | CHD | <i>R. Zahradsky</i> | TITLE : LOAD BEARING LEVER ASSY. | | | | | |
| | | APPD | <i>Jornal</i> | | | | | | |
| DATE | 10.5.07 | SHT. NO. 1 OF 1 | D S CAT NUMBER | ITEM LIST FOR Cb.315-659-2 | | | | | |

DRAWING INDIANISED BASED ON RUSSIAN ORIGINAL ISSUE - 4

DRAWING NUMBER
315-632-6

10
✓ (M)



1. Inspection group is III as per T.T -11.
2. Carryout Carburizing h 0.4, 0.7mm. HRC ≥ 55 . Protect surface A from carburizing.
3. Unspecified limit deviations of dimensions are: H14, h14, $\pm \frac{IT14}{2}$.
4. It is allowed to execute hole $\varnothing 2 \begin{smallmatrix} +0.3 \\ -0.1 \end{smallmatrix}$
5. Chemically oxidised oiled coating is carried out as per instruction ИЛ-681-87.

F-5
70
283

PILOT SAMPLE SHOULD BE APPROVED BY A H S P BEFORE BULK PRODUCTION.

| | | | |
|---------|---------|--|--|
| | | EST. WT. (Kg) 0.008 | TO BE STAMPED OR MARKED WHERE INDICATED THUS # (LETTERS) |
| | | ALL SHARP EDGES AND CORNERS TO BE REMOVED UNLESS OTHERWISE STATED MACHINED CORNERS TO HAVE R OUTSIDE R INSIDE EQUIVALENT CHAMFERS ARE PERMISSIBLE. | |
| | | MATERIAL :- Round 6.3-h11 GOST 7417-75 12XH3A-B-T TY 14-1-381-72 | USED ON :- CB 315-659-2 CB 315-661-8 |
| ISSUE | DATE | NATURE OF AMENDMENTS | |
| DRN | | SCALE :- 2:1 | CONTROLLERATE OF QUALITY ASSURANCE (HEAVY VEHICLES) AVADI |
| CHD | | DIMENSIONS IN mm | |
| APPD | | TOLERANCE ON DIMENSIONS UNLESS OTHERWISE STATED IS: 2102 - 69 | TITLE :- SPRING PIN |
| DATE | | ALL THREADS TO CONFORM TO | D S CAT NUMBER |
| SIZE A4 | 21/3/07 | | DRAWING NUMBER 315-632-6 |

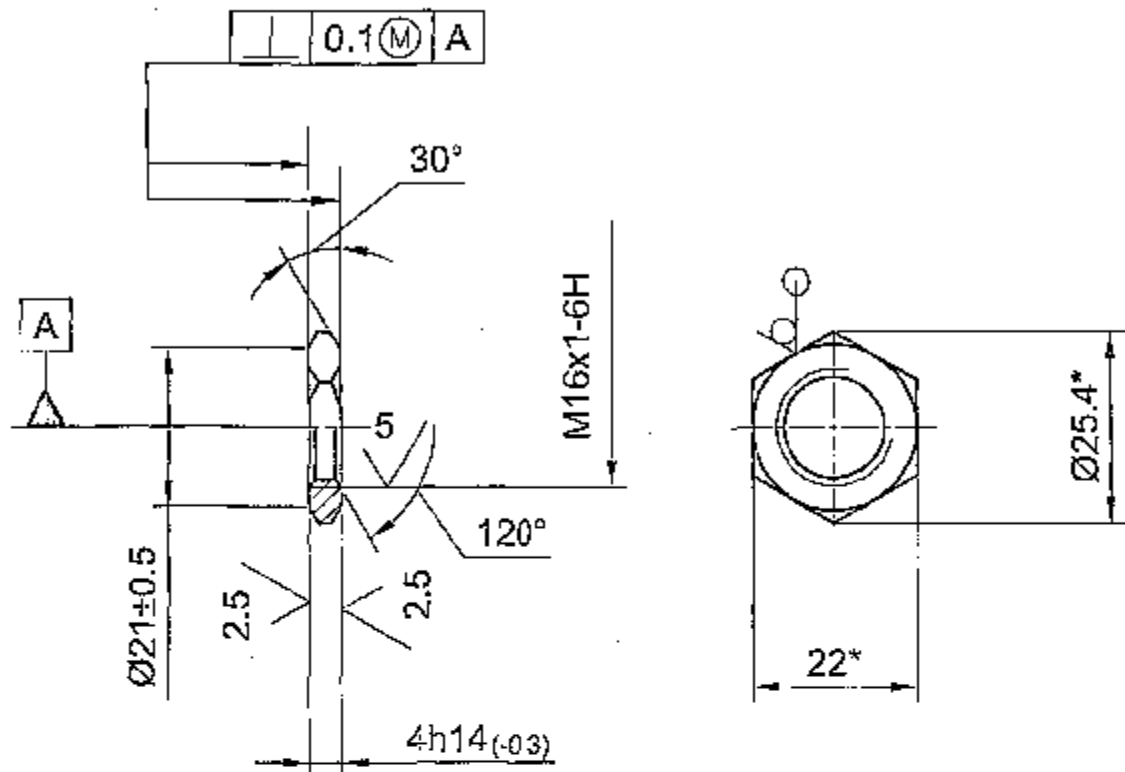


DRAWING NUMBER

315 -795

10/ (✓)

DRAWING INDIANISED BASED ON RUSSIAN ORIGINAL ISSUE - 3



1. Coating: Chemically oxidised, oiled as per instruction ИЛ-681-78.
2. *Dimension is given for reference.

F5
85
283

PILOT SAMPLE SHOULD BE APPROVED BY A H S P BEFORE BULK PRODUCTION.

EST. WT. (Kg)

0.005

TO BE STAMPED OR MARKED WHERE INDICATED THUS # (LETTERS)

ALL SHARP EDGES AND CORNERS TO BE REMOVED UNLESS OTHERWISE STATED MACHINED CORNERS TO HAVE R OUT-SIDE R INSIDE EQUIVALENT CHAMFERS ARE PERMISSIBLE.

MATERIAL : HEXAHEDRON

USED ON :-

22-h11 GOST 8560-78

CS 315 - 659 - 2

45-B-H GOST 1051-73

CS 315 - 662-16

3A 18-8-08

D. O. CORRECTION.

ISSUE DATE

NATURE OF AMENDMENTS

DRN

SCALE :- 1:1

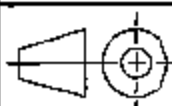
APPD

DIMENSIONS IN mm

CHD

TOLERANCE ON DIMENSIONS UNLESS OTHERWISE STATED IS : 2102 - 69

APPD



TITLE :-

LOCK NUT (3A)

DATE

16/3/07

ALL THREADS TO CONFORM TO

D S CAT NUMBER

DRAWING NUMBER

315 -795

SIZE A4

