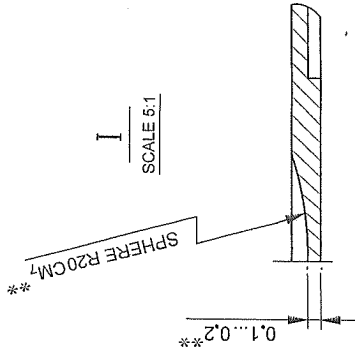
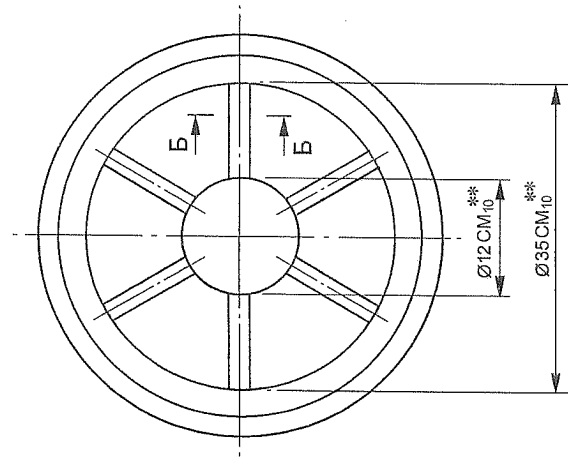


ECKA

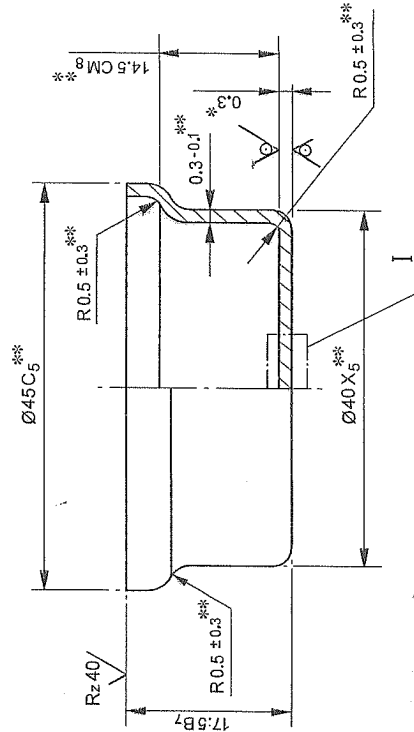
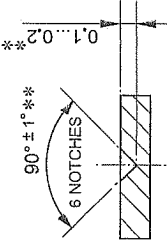
4-26941 ◊ 3A.6 013



B - B

SCALE - 5:1

TURNED VIEW



MATERIAL :- ALUMINIUM TAPE.

SPECIFICATION No. :- GOST 13726 - 78.

APPROVED/ALTERNATIVE INDIGENOUS EQUIVALENTS:- ALUMINIUM STRIP TO SPEC. IS : 737, GRADE 19500 IN 'O' CONDITION OR B.S. 1470 GRADE 1050A IN 'O' CONDITION WITH 60 MPa MIN.

PROTECTIVE TREATMENT : ANODISING TO SPEC. DEF. I51 OR CHROMOTISATION TO SPEC. IS 11232-85 CLASS I COATING SHOULD WITH STAND TESTS SPECIFIED IN CLAUSE 4.2 (ADHESION), 4.3 (CORROSION RESISTANCE) & 4.4 (COATING MASS).

1. Alternate Material : Tape A 5M GOST 13726 - 78.

2. * Dimensions for reference.

3. ** Dimensions ensured by tool.

4. Deviation of central angle formed by axes of any two notches not to exceed ± 5° **

5. Coating : Chemical passivation.

6. Recesses and projections left on bottom by auxiliary fixtures are allowed.

7. For the rest of technical requirement refer to OST B 84 - 338 - 76.

17-2-86	D.C.I.36390-A	IN PROTECTIVE TREATMENT OR (COATING MASS) ADDED	✓	✓	4-26941	3A.6	013
20-12-94	D.C.I.36878-A	NEW DETAILS RE-MATERIAL AND PROTECTIVE TREATMENT INCORPORATED	✓	✓	CUP		
17-11-87	D.C.I.34269-A	SCALE & EST. MASS ADDED.	✓	✓	Tape A A1M - 0.3 GOST 13726 - 78		
30-6-87	D.C.I.34170-A	NOMENCLATURE CUP WAS CAP.	✓	✓	SCALE :- 2 : 1	EST. MASS :- 0.004 Kg.	
4-6-85	D.C.I.33760-A	DRG. SEALED PROV.	✓	✓	APPD. :-	FOR C.I.(A)	
R. No.	DATE	AUTHORITY	REVISION	INSP. DO. ZONE	AHSP :- C.I.(A) KIRKEE		