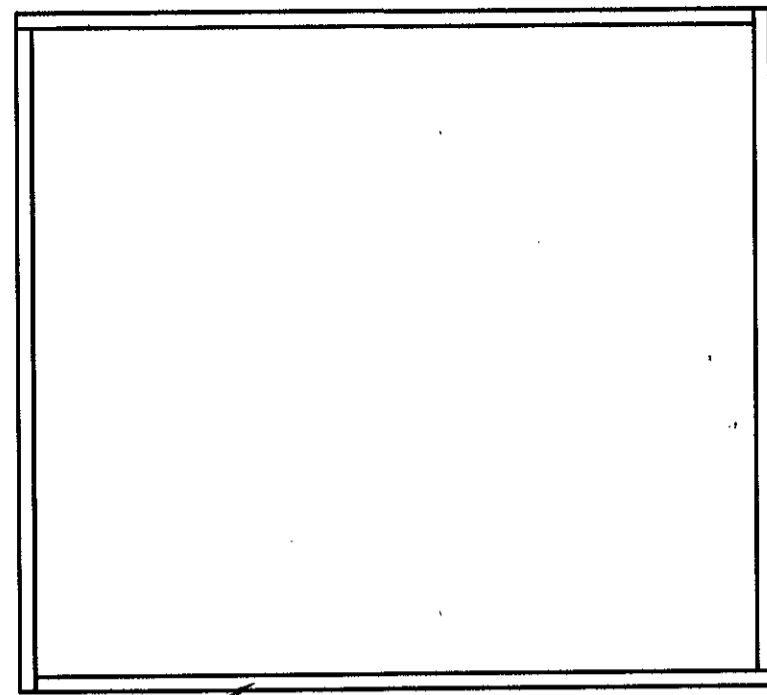
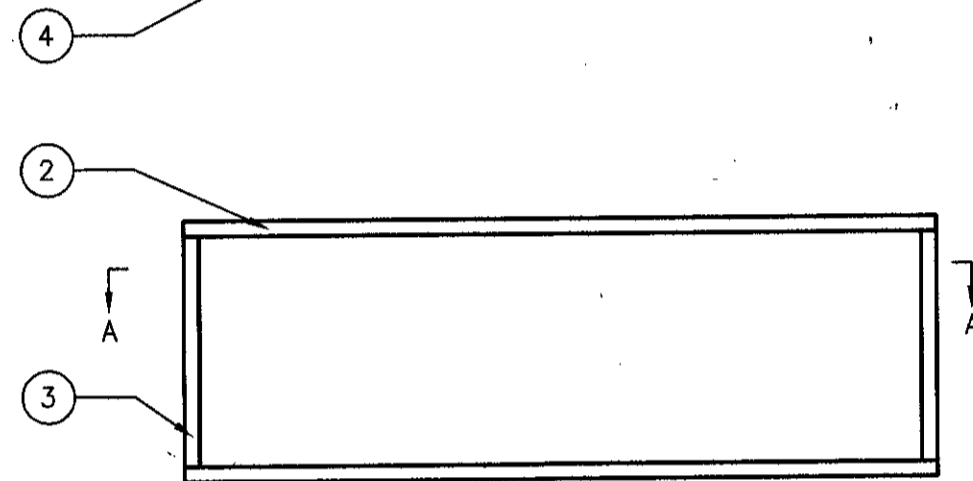


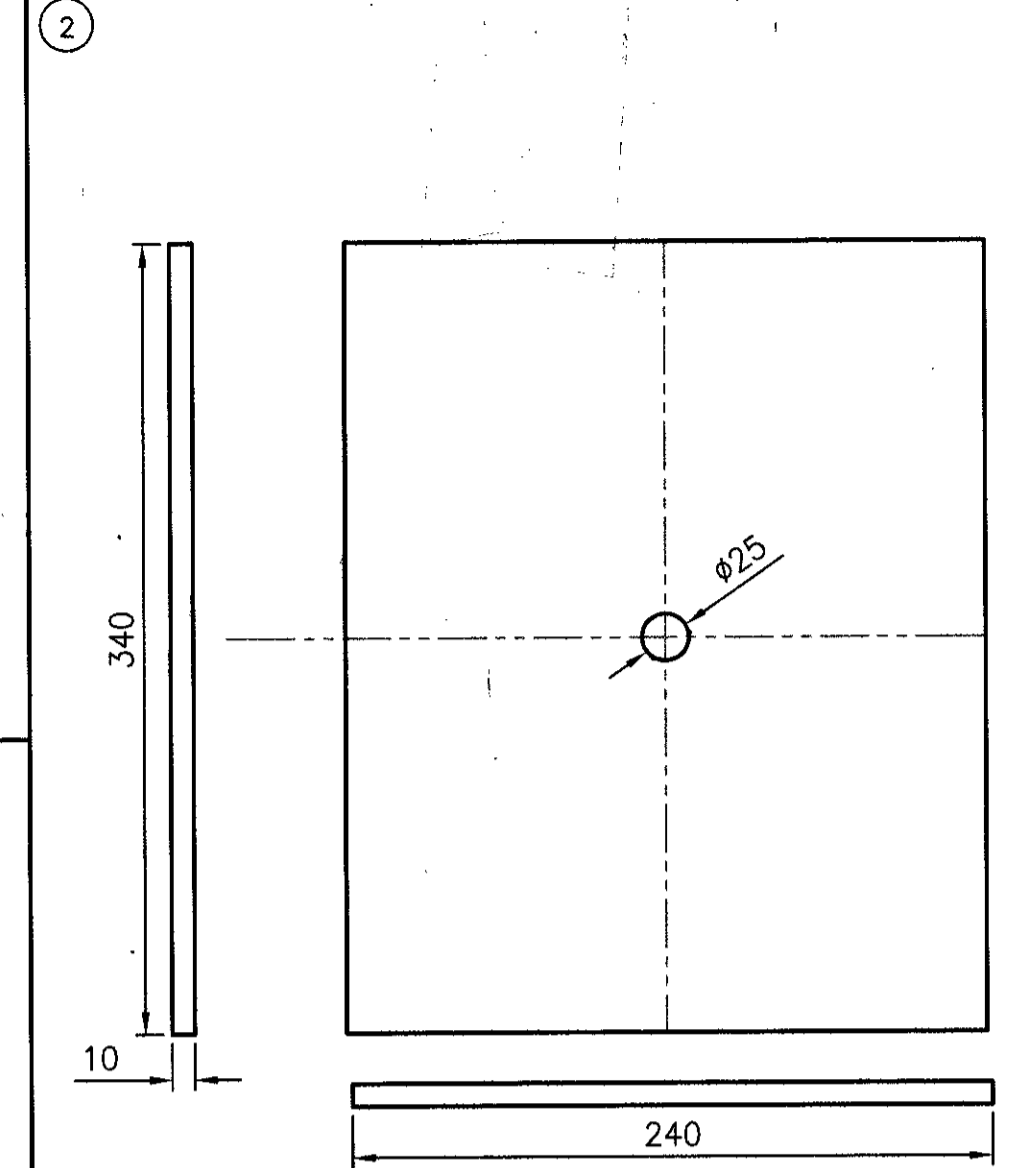
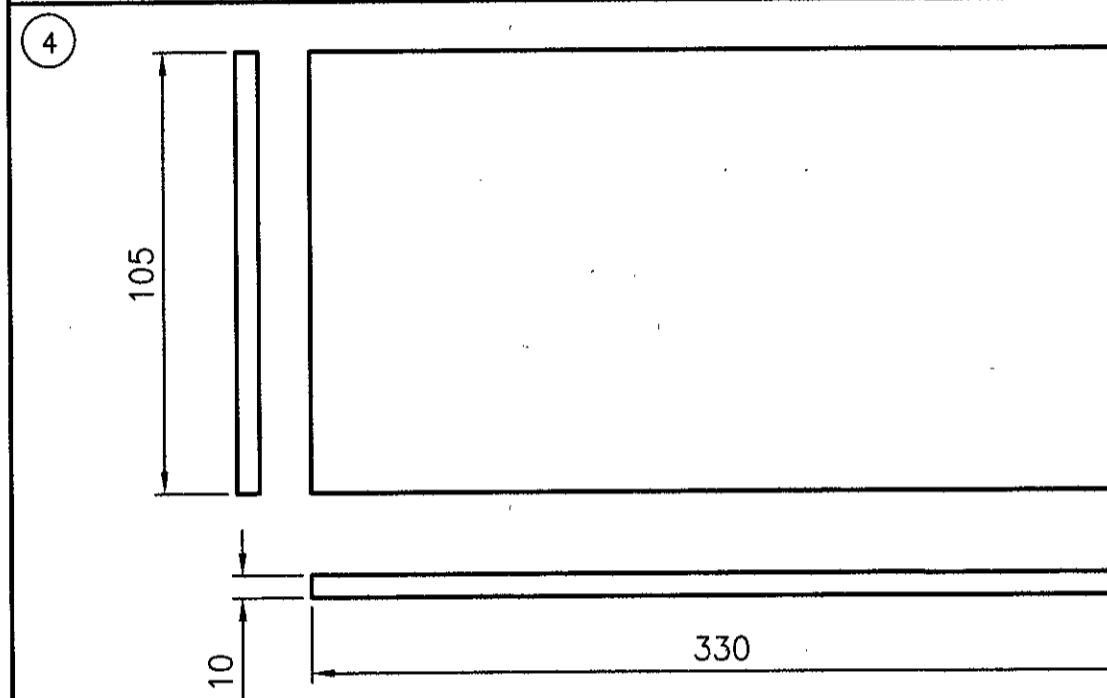
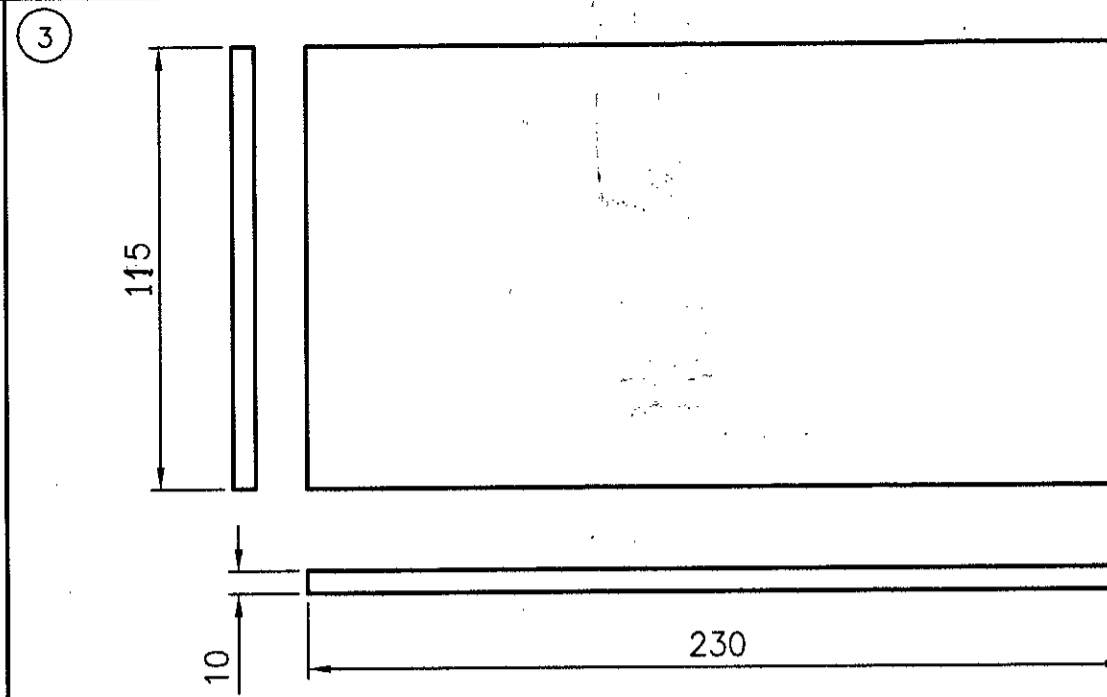
BOX (OPEN CONDITION)



A-A



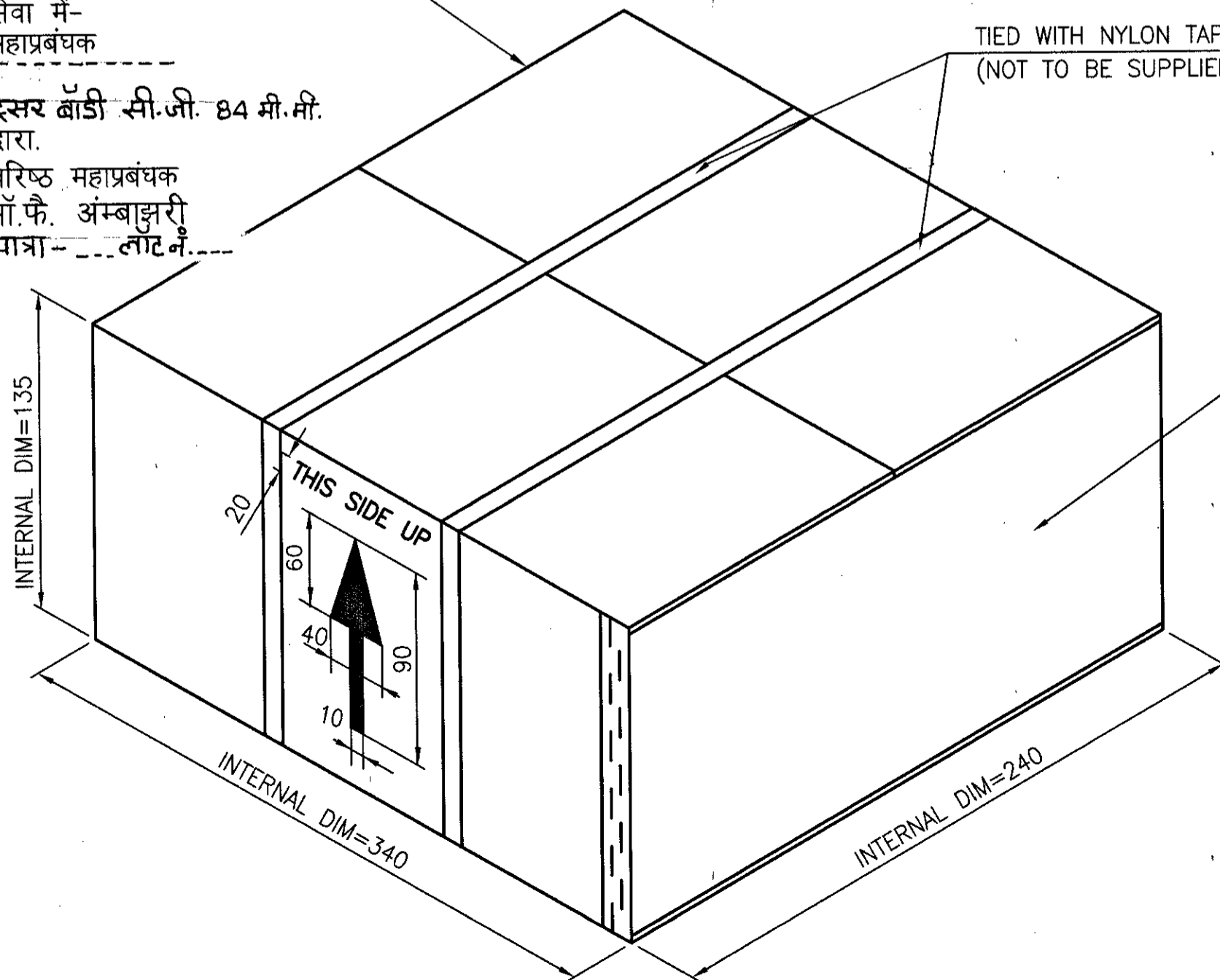
GENERAL ARRANGEMENT OF PACKING FITMENTS INSIDE THE BOX



FOLLOWING TO BE PRINTED  
IN 20mm LETTER HEIGHT  
GAP BETWEEN EACH ROW=5

सेवा में-  
महाप्रबंधक  
ट्रेसर बॉडी सी.जी. 84 मी.मी.  
द्वारा.  
वरिष्ठ महाप्रबंधक  
ऑ.फै. अम्बाजहरी  
मात्रा - - - - - लॉट नं. - - - - -

TIED WITH NYLON TAPE OR ADHESIVE TAPE  
(NOT TO BE SUPPLIED BY VENDOR)



FOLLOWING TO BE PRINTED  
IN 10mm LETTER HEIGHT  
GAP BETWEEN EACH ROW=5

TO  
THE GM  
TRACER BODY CG 84mm  
FROM  
THE Sr. GM  
O.F. AMBAJHARI  
QTY \_\_\_\_ LOT NO \_\_\_\_

NOTE :

- PART NO. 1 : 150 GSM KRAFT PAPER, 5 PLYS, 2 WALL, VERTICAL NARROW FLUTING 5mm THICK.
- PART NO 2 : 120 GSM KRAFT PAPER, 9 PLYS 4 WALL, NARROW FLUTING, 10mm THICK & CROSS FLUTED ie ALTERNATE FLUTES SHOULD RUN ACROSS
- PART NO. 3 & 4 : 120 GSM KRAFT PAPER, 9 PLYS 4 WALL, VERTICAL NARROW FLUTING 10mm THICK.
- PARTS TO BE MARKED WITH THE MANUFACTURERS NAME/INITIAL OR TRADE MARK.
- GENERAL WORKMANSHIP AND FINISH SHALL BE GOOD THROUGH OUT.
- ALL PARAMETERS ARE GOVERNED BY THE SPECN. IS : 2771(Pt.I) LATEST ISSUE & SUBJECT TO PROPER FITMENT OF ALL THE PARTS.

PART	DESCRIPTION	NO. OFF	BURSTING STRENGTH	REMARKS
5	STAPLES, MS GALVANISED 12 x 3 x 0.8 THICK	AS REQD.		
4	SIDE SHOCK ABSORBER (FRONT/BACK)	2		
3	SIDE SHOCK ABSORBER (LEFT/RIGHT)	2		
2	SHOCK ABSORBER (TOP & BOTTOM)	2		
1	BOX	1	10 Kg/cm <sup>2</sup>	

PART LIST

REV.	DATE	NOMENCLATURE	SIGN.
31.5.17		Matter printed on box in hindi corrected & made in line with English. Advtg in Nomenclature Packing carton was Picky Box. Drg. qdr. to 'F'	JGM/FS
04.6.15		In pt. 3 - Dim 115 was 105.	JGM/FS
28/01/10		DESIGN UPDATED & BASE GUIDE FOR COMPTS REMOVED. NEW NEGATIVE MADE	JGM/FS

2010	NAME	DATE
		28/1/10
		28/01/2010
		28/01
		28.1.10

DIMENSIONS ARE IN mm		MATERIAL: AS ABOVE
THIRD ANGLE PROJECTION		NOMENCLATURE: FIBERBOARD PACKING CARTON WITH FITMENT (FOR 1500 COMPONENTS)
SCALE : N.T.S		आर्डेन्स फैक्टरी अम्बाजहरी ORDNANCE FACTORY, AMBAJHARI
DRAWN		DRG. NO: FS-2379'G'
TRACED		SHEET NO: 1
CHECKED		NO. OF SHEETS: 1
JWM/CDO		OPERATION NO:
JGM/FS		COMPT: TRACER BODY
STORE: AMMN 84mm CG		