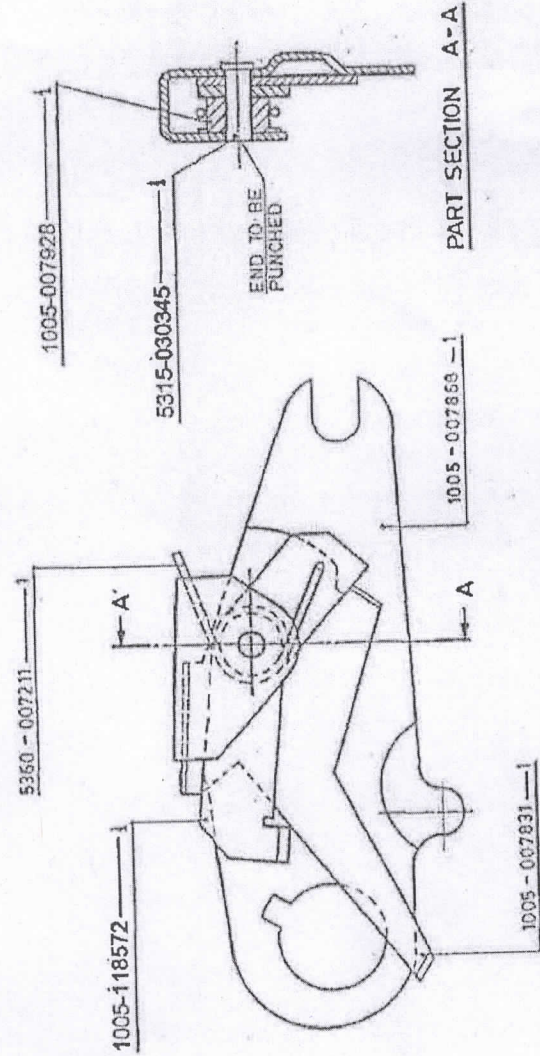


1 2 3 4 5 6 7 8

DRG. CONVENTIONS CONFORM TO J5G-0104.
DIMNS. ARE IN mm.

D.S. CAT. NO. 1005-007927



1005-007927
 Certified as correct copy
 of drg. on... 25/03/21
 Sr. Works Manager
 STANDARD CELL.

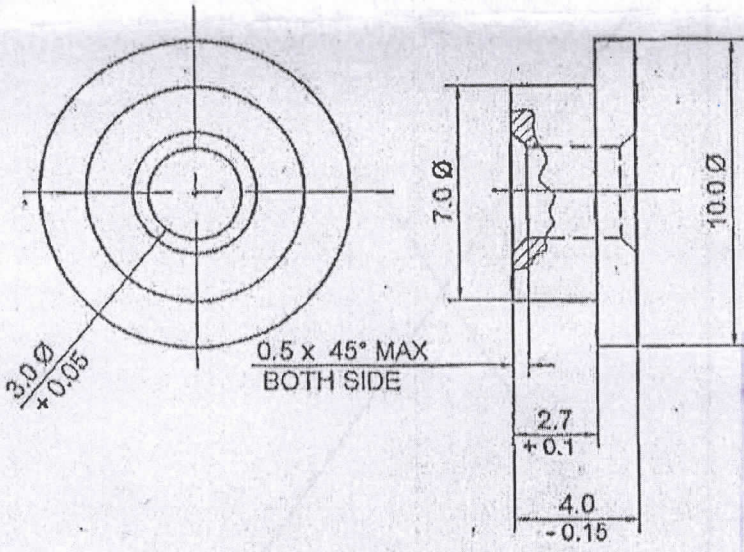
DRN. 1005-007927	CHD. 5360-007211	STD. 5315-030345	TRD.	COMP.	AHSR CQA(SA), ICHAPUR
SCALE: 2:1			APPROVED.		ASSY: 1005-557868
DT. 20-11-08.			1/3; D.O. DT. 20-11-08.	FOR CQA(SA)	DGNR'S ARDE SK-2825/62
MATERIAL:-					PART NO.
H.T./HARDNESS:-					DRG. NO.
PROTECTIVE FINISH:-					D.S. CAT. NO. 1005-007927
UNIT AUTO					
NOMENCLATURE:-					
20-11-08	26440-04	DRG. PROV. SEALED			
DATE	AUTHY.	BRIEF	RECORD		
SEALED* PROV SEALED D.C. NO. 26440-SA, DT. 20-11-08					

826200-9001

DRAWING CONVENTIONS CONFORM TO JSG:0104
 DIMNS ARE IN mm. GEN. TOL. 'MEDIUM' IS:2102

MARKING NOTE :-

MARKING (SU/TABLY) ON SAMPLE/TAG
 Yr of Mfg
 MANUFACTURER'S CODE
 D.S. CAT.No.



Hos/mmd
05/03/21
Saitik
 Certified as of drg. on
 Sr. Works Manage
 STANDARD

NOTES:-

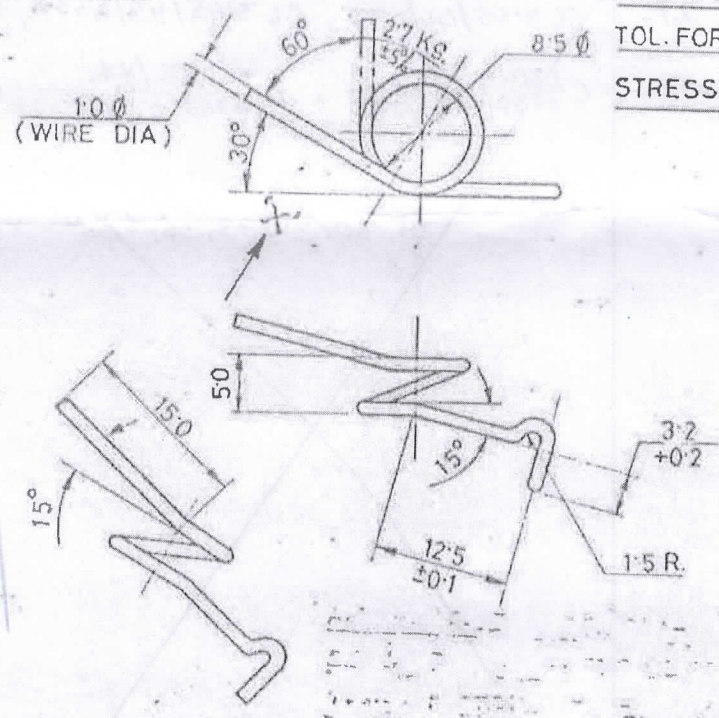
REMOVE ALL SHARP EDGES AND BURRS.

22-09-16	26946-SA	MATERIAL AMENDED.			
06-8-12	26660-SA	MATL. SPECN. AMENDD, MARKING NOTE AMENDED IN ZONE A/3-4 AS SYMBOLS A AND C DELETED IN ZONE B/3			
20-11-08	26440-SA	DRG. SEALED PROV. PREVIOUS D.C. No 25902-SA			
DATE	AUTHY.	BRIEF RECORD	ZONE	I/C;DO.	G.O.
SEALED :- PROV. SEALED D.C. NO. 26440-SA, DT. 20-11-08					SIGN
DRN.	CHD.	TRD.	COMP.	AHSP.	CQA(SA) ICHAPUR
SCALE :-	5 : 1	EST. MASS		ASSY.	1005-007927
DI. 20-11-08.	I/C. DO.	APPROVED DT. 20-11-08.	FOR CQA(SA)		
MATERIAL :-	IS: 5517-1993, DESIGNATION 42 Cr 4 Mo 2 LRS 63 mm.				
H.T./HARDNESS :-	300 TO 375 HV			DGNR'S. ARDE SK 2825. REF. DET No. 54	
PROTECTIVE FINISH :-	PHOSPHATE TO SPECN. JSS-0465-01-1994 CLASS II (ACCELERATED), OIL FINISH			PART No.	
NOMENCLATURE :-	BUSH, UNIT AUTO			DRG. No.	
				D.S.CAT. No. 1005-007928	

112200-09CS

ON DRG. CONVENTIONS CONFORM TO JSG : 0104
 DIMNS. ARE IN mm GEN. TOL.

TOL. FOR UNTOLERANCED
 DIMNS. ± 0.2
 TOL. FOR ANGLES $\pm 1^\circ$
 STRESS RELIEVED.



08.09.16	26936-SA	MATERIAL AMENDED.	
05.06.10	26509-SA	NSN ADDED	
18-2-08	26400-SA	ALTERNATIVE MATERIAL ADDED.	
18-5-07	26338-SA	MATERIAL AMENDED	
5-5-03	25741-SA	MARKING NOTE DELETED.	
7-9-2001	25116-SA	MATERIAL AMENDED	
29.12.97	24006-SA	PROFORMA CHANGED, MARKING NOTE ADDED, NEG. RE-TRACED AND DRG. PROV. RE-SEALED.	

DATE	AUTHY.	BRIEF RECORD	ZONE	1/C;D.O.	G.O.
SEALED :- PROV. DC. NO. 23731-SA, DT. 13-3-97			SIGN.		

DRN.	CHD.	TRD.	COMP.	A HSP CQA(SA), ICHAPUR
SCALE :- 2:1		EST. MASS		ASSY. 1005-007791
DT. 29-12-97	A/C; I/C; D.O.	APPROVED	DT. 26-7-94	
				NEG. RE-TRACED

MATERIAL :- STEEL IS:4454 PART-1:2001 Gr. DH WITH UTS VALUE MIN 2400 N/mm ²		DGNR'S ARDE SK.2689/74 REF. 9 SHTS. SHT. NO. 6	
H.T./HARDNESS:-		PART. NO.	
PROTECTIVE PHOSPHATED TO SPECN. FINISH:- JSS-0465-01-1988 CLASS II (ACCELERATED), OIL FINISH.		DRG. NO.	
NOMENCLATURE:- SPRING HELICAL TORSION RATCHET WHEEL		D.S. CAT. NO. 5360-007211	

NSN: B1/5360-72-0000211

Handwritten notes and stamps on the left side of the drawing, including 'A/S/11/11/97', '10/12/97', and 'Jr. Works Manager'.

Handwritten text 'P. O. SCAN' at the bottom right of the page.