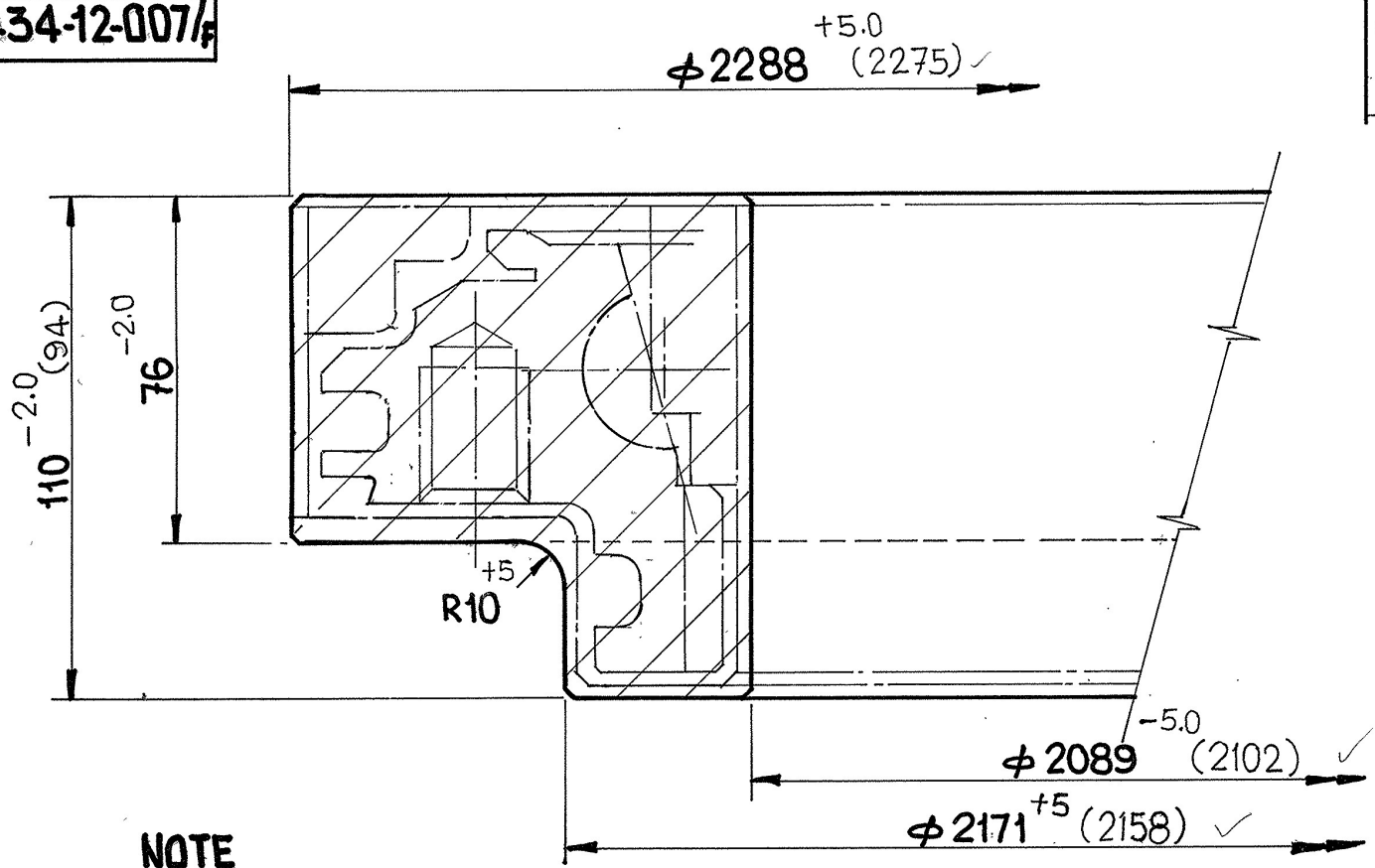


PART NO.  
434-12-007/F

ISS.	MODIFICATION	DATE
A	REDRAWN TO SCALE BY SUPER-IMPOSING MACHINING OPERATIONS	15/12/89



**NOTE**

FORGINGS ARE TO BE SUPPLIED IN ROUGH MACHINED CONDITION.  
 ALL TECHNICAL REQUIREMENTS SHOULD CONFIRM TO TY-14-1-2982-80.  
 MACHINING DIMNS ARE SHOWN IN BRACKETS.  
 ALL DIMNS ARE SHOWN IN MM.  
**MATERIAL :- 45XHM, TY-14-1-2982-80**  
**WEIGHT :- 511 KGS (APPROX)**

TY14-102 142-98

SCALE	COMPONENT ~ T-72 AJEYA	FG. WT.	MATERIAL
1:1	<b>RING RACE LOWER</b>	511 kgs (APPX.)	45XHM TY. 14-1-2982-80
THIS DRG IS USED WITH J&T D.D SPECN. II/JT ISSUE - NIL			HVFACTORY, AVADI
DRN.	CHD.	APPD.	AUTHD.
<b>BLANK SIZE FOR RING RACE LOWER</b>			PART NO. 434-12-007/F