

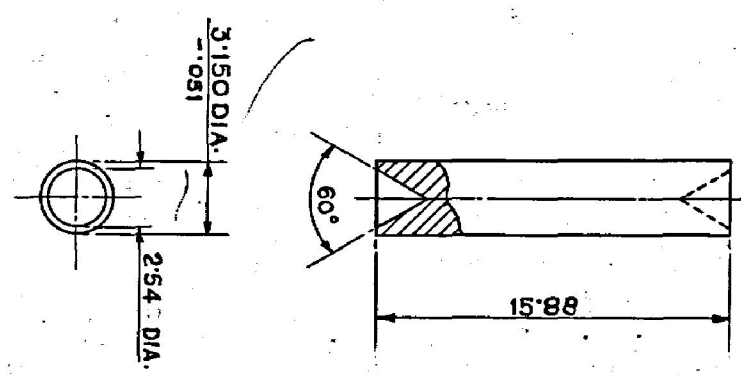
DS. CAT. NO.
5315-001767

FOR EXPLANATION SEE D. NOTE SHEET NO. 3.
THIRD ANGLE PROJECTION.

SHEET NO. 3
DIMENSIONS ARE IN MILLIMETRES.

NOTE:-

WHERE TOLERANCES ARE NOT SHOWN
DIMENSIONS IN WHOLE NUMBER OR WITH
ONE DECIMAL PLACE ± 1.27 mm
DIMENSIONS WITH TWO DECIMAL PLACES ± 13.7 μ m
DIMENSIONS WITH THREE DECIMAL PLACES ± 13.7 μ m



FINISH:- PHOSPHATE TO SPECN. ISS:0465:01-1988
CLASS I OIL FINISH.

~~FINISH TO SPECN. APPLICABLE TO ALL FINISHES~~

METRIC

20-B-22647-94 SA	FINISH AMENDED	ISA
153.78/15529-SA	D S CAT NO. AMENDED	P 65/65
71.177/14976-SA	DRAWING SEALED	15/09/88
DATE AUTHY.	ZONE	NATURE
AMENDMENTS		

SEALED :- D.C.U) 14976-SA PT. 7.1.77

MATERIAL :- STEEL BS. 970 EN8

PROTECTIVE FINISH :- AS ON DRAWING.

ESTIMATED WEIGHT :-

SCALE :- 4/1.

PIN LEAF

ASSY DRG.	1005-001601		
INSP. INSTRS.			
DRAWN	CHECKED	TRACED	TRN. CHD
		DRD	Indraneel

APPROVED

DATE: 19.6.87
FOR CISA

DESIGNER'S REF. ARDE 657/258

DS. CAT. NO.

5315-001767

CISA. ICHAPUR.