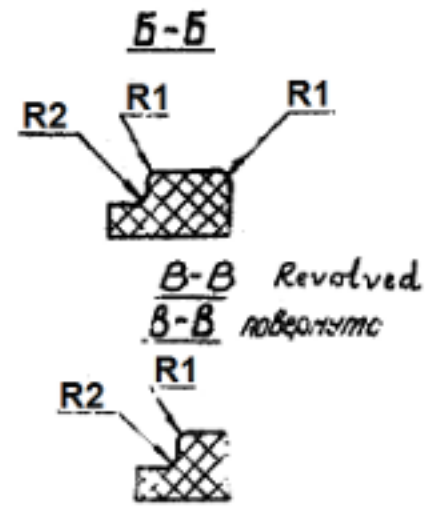
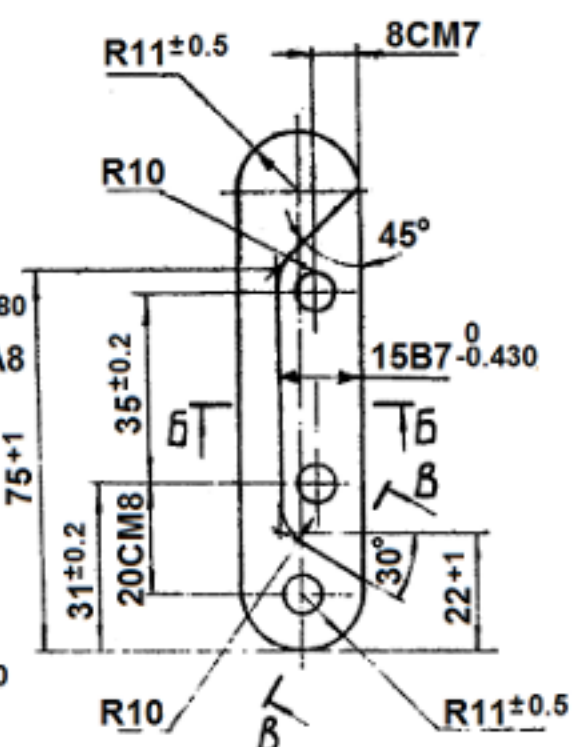
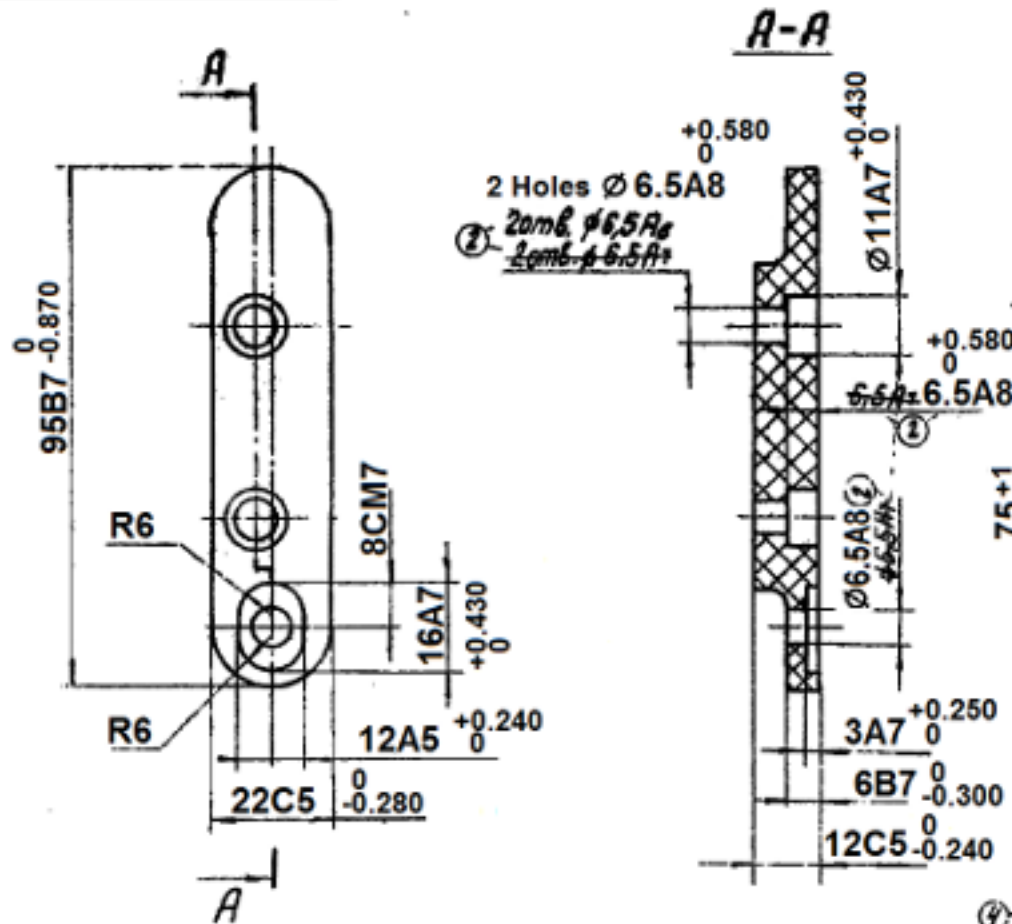


DS CAT No.
1015 - 003410



ID = 73
 01-02-02

ALT MATL:- PHENOLIC LAMINATED SHEET GDE SP-16 OR GRADE VASW-200.
 COATING:- WITH GLASS FIBRE PHENOLIC MOULDING POWDER.

1. Прессовые технологические уклоны по РТМ33-61.
 2. Зачистку облоя произвести механическим путем.
 3. Остальные технические требования по ГОСТ 3-4223-79.
1. Technological draft are according to PTM-33-61
 2. Dressing of fin is performed mechanically.
 3. Other technical requirements are as per OST 3-4223-79.
- FIRST ANGLE PROJECTION

18814-W 28-10-03	HIDI NOMEN. ADDED.	
17356-W 7-8-92	ALT MATL. NOTE REQ COAT. ING & TOL VALUES ADDED.	
17068 W 7-5-91	PROV SEALING CANCELLED AND DRG/SEALED	

16851-W 2-4-90	DS.CAT No ADDED.
16918-W 22-4-85	DRG SEALED PROV

DS.CAT No 1015-003410	2A26	
PLATE	02 - 267	
प्लेट		
HEET	MASS	SCALE
1 of 1	0.04	1:1
ISSUE	REVISED	REFERENCE
APPROVED		
CHECKED		
DESIGN		
MATERIAL: MOULDING MATERIAL		
ДСВ-2Р-2М-0 ГОСТ 17478-72		
CQA(AVA)		
AVADI		