

# FFV Ordnance AB

FS- 3036 A  
O-Ring 74.3x3  
(Part No. 06414628)

COMPONENT SPECIFICATION 2 (113)

Date 2017-09-04 Issue 9 Document ID 301222599

Issued by  
Kirsti Gustavsson  
Classification Export Control

Classification Company Confidentiality  
**COMPANY UNCLASSIFIED**  
Classification Defence Secrecy  
**NOT CLASSIFIED**

NOT EXPORT CONTROLLED

### 3 Applicable Quality

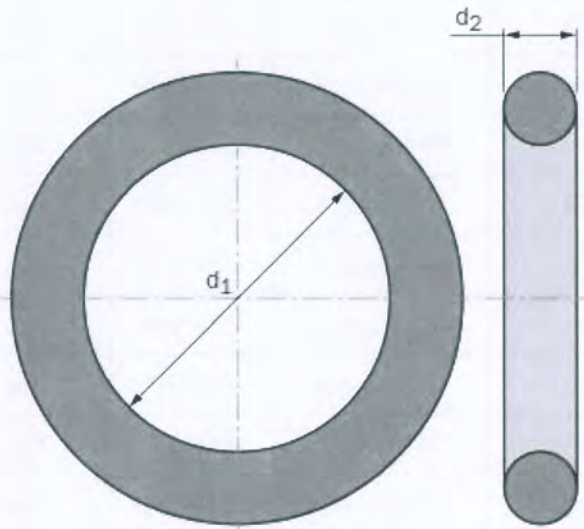
Datasheet for O-Ring (part of):

Downloaded from:

[http://www.tss.trelleborg.com/remotemediamedia/globalformastercontent/downloadsautomaticallycreatedbyscript/catalogs/o\\_ring\\_gb\\_en.pdf?viewType=Print&viewClass=Print](http://www.tss.trelleborg.com/remotemediamedia/globalformastercontent/downloadsautomaticallycreatedbyscript/catalogs/o_ring_gb_en.pdf?viewType=Print&viewClass=Print)

### 4 Standard Component Information

This document and the information contained herein is the property of FFV Ordnance AB and must not be used, disclosed or altered without FFV Ordnance AB prior written consent.



| Part number  | Dimension (mm) |                | Material | Hardness   | Temperature (°C) | RoHS |
|--------------|----------------|----------------|----------|------------|------------------|------|
|              | d <sub>1</sub> | d <sub>2</sub> |          |            |                  |      |
| 450004031    | 2.57           | 1.78           | V8       | 80 Shore   | -15/+200         | Yes  |
| F1341-403591 | 3.3            | 2.4            | V7T40    | 70 Shore A | -15/+200         | Yes  |
| F1341-403592 | 4.3            | 2.4            | V7T40    | 70 Shore A | -15/+200         | Yes  |
| F1341-403563 | 5.1            | 1.6            | V7T40    | 70 Shore A | -15/+200         | Yes  |
| F1341-403593 | 5.3            | 2.4            | V7T40    | 70 Shore A | -15/+200         | Yes  |
| F1341-403594 | 6.3            | 2.4            | V7T40    | 70 Shore A | -15/+200         | Yes  |



## FFV Ordnance AB

FS- 3036 A

COMPONENT SPECIFICATION 5 (113)

Date Issue Document ID  
2017-09-04 9 301222599

Issued by

Kirsti Gustavsson  
Classification Export Control

Classification Company Confidentiality

COMPANY UNCLASSIFIED  
Classification Defence Secrecy

NOT EXPORT CONTROLLED

NOT CLASSIFIED

| Part number  | Dimension (mm) |                | Material | Hardness   | Temperature (°C) | RoHS |
|--------------|----------------|----------------|----------|------------|------------------|------|
|              | d <sub>1</sub> | d <sub>2</sub> |          |            |                  |      |
| * 06414628   | 74.3           | 3              | V7T40    | 70 Shore A | -15/+200         | Yes  |
| F1341-403628 | 74.5           | 3              | V7T40    | 70 Shore A | -15/+200         | Yes  |
| F1341-400092 | 82.14          | 3.53           | V70GA    | 70 Shore A | -20/+200         | Yes  |
| F1341-403659 | 84.1           | 5.7            | V7T40    | 70 Shore A | -15/+200         | Yes  |
| F1341-403631 | 84.5           | 3              | V7T40    | 70 Shore A | -15/+200         | Yes  |
| F1341-400082 | 85.32          | 3.53           | V70GA    | 70 Shore A | -20/+200         | Yes  |
| F1341-403632 | 89.5           | 3              | V7T40    | 70 Shore A | -15/+200         | Yes  |
| F1341-403633 | 94.5           | 3              | V7T40    | 70 Shore A | -15/+200         | Yes  |
| F1341-403665 | 109.1          | 5.7            | V7T40    | 70 Shore A | -15/+200         | Yes  |
| F1341-403668 | 124.3          | 5.7            | V7T40    | 70 Shore A | -15/+200         | Yes  |
| F1341-403639 | 124.3          | 3              | V7T40    | 70 Shore A | -15/+200         | Yes  |
| F1341-403643 | 139.5          | 3              | V7T40    | 70 Shore A | -15/+200         | Yes  |
| F1341-403644 | 144.5          | 3              | V7T40    | 70 Shore A | -15/+200         | Yes  |
| F1341-403673 | 144.3          | 5.7            | V7T40    | 70 Shore A | -15/+200         | Yes  |
| F1341-403675 | 154.3          | 5.7            | V7T40    | 70 Shore A | -15/+200         | Yes  |
| F1341-403681 | 179.3          | 5.7            | V7T40    | 70 Shore A | -15/+200         | Yes  |
| F1341-406108 | 200.0          | 5.0            | V7T40    | 70 Shore A | -15/+200         | Yes  |
| F1341-403687 | 219.3          | 5.7            | V7T40    | 70 Shore A | -15/+200         | Yes  |
| F1341-403689 | 239.3          | 5.7            | V7T40    | 70 Shore A | -15/+200         | Yes  |
| F1341-403698 | 339.3          | 5.7            | V7T40    | 70 Shore A | -15/+200         | Yes  |
| F1341-403699 | 359.3          | 5.7            | V7T40    | 70 Shore A | -15/+200         | Yes  |
| F1347-003869 | 370            | 5.7            | V7T40    | 70 Shore A | -15/+200         | Yes  |
| F1341-406114 | 418.0          | 9.0            | V7T40    | 70 Shore A | -15/+200         | Yes  |

This document and the information contained herein is the property of FFV Ordnance AB and must not be used, disclosed or altered without FFV Ordnance AB prior written consent.





FS- 3036 A

## MATERIAL - DATENBLATT / MATERIAL DATA SHEET

|                                       |              |
|---------------------------------------|--------------|
| Material-Nr.:<br><i>Material No.:</i> | <b>V7T40</b> |
|---------------------------------------|--------------|

|   |            |
|---|------------|
| Gummi-Metall-Material-Nr.:<br><i>Rubber-Metal-Material No.:</i> | <b>4V1</b> |
|---|------------|

|  |                  |
|--|------------------|
| Referenz-Material-Nr.:<br><i>Reference-Material No.:</i> | <b>67 70 025</b> |
|--|------------------|

|  |                   |                                       |
|--|-------------------|---------------------------------------|
| Elastomerbasis<br><i>Elastomere base</i> | DIN ISO 1629      | <b>FKM</b>                            |
| Härte<br><i>Hardness</i>                 | DIN 53 505        | <b>70 ± 5 Shore A</b>                 |
| Farbe<br><i>Colour</i>                   |                   | <b>grün / green</b>                   |
| Dichte<br><i>Specific gravity</i>        | DIN EN ISO 1183-1 | <b>2,25 +/- 0,03 g/cm<sup>3</sup></b> |



Das Werkstoff-Datenblatt befreit den Abnehmer / Anwender nicht selbst die Eignung unserer Ware für den beabsichtigten Verwendungszweck zu prüfen. Das Datenblatt unterliegt nicht dem Änderungsdienst.

*This is to emphasise that the customer himself is obliged to test the material with regard to its suitability in the application. This data sheet has not a change of service.*

### Polymer Laboratory Stuttgart

Fax.: +49 711 7864 778

TSS.PolymerLaboratoryStuttgart@trelleborg.com

erstellt am / issued: 2007-08-07

Unterschrift / signature: gäb

FB-PLS-001/f 2007-04-02 Vers.4 kfu

FS- 3036 A



## MATERIAL - DATENBLATT / MATERIAL DATA SHEET

Material-Nr.:  
Material No.:

# V7T40

### DATA SHEET FOR FLUOROCARBON RUBBER 67 70 025

Data listed here fall within the normal range of properties, but they should not be used to establish specification limits or used alone as the basis of design.

#### SPECIFIED PROPERTIES (established via batch control)

| Specification       | Unit              | Typical Values | Limits    | Test method |
|---------------------|-------------------|----------------|-----------|-------------|
| Polymer type        |                   | FKM            |           |             |
| Colour              |                   | Green          |           |             |
| Density             | kg/m <sup>3</sup> | 2230           | 2230-2270 | SS-ISO 2781 |
| Hardness            | °IRH              | 72             | 67-75     | SS-ISO 48   |
| Tensile strength    | MPa               | 12,5           | >10       | SS-ISO 37   |
| Elongation at break | %                 | 175            | > 150     | SS-ISO 37   |

#### Range of application:

O-rings, seals and general rubber goods to be used in air or oil at high temperatures, or in harsh chemical environments.

#### 67 70 025 is approved by:

Grundfos GS 141a 0041a, Scania 51 8700, Volvo 92591-7, WRAS.

#### Notes:

B+S Code V7T40

For storage of finished parts; See SS-ISO 2230

#### Warning:

If exposed to temperatures exceeding +300 °C, Hydrogen Fluoride might be formed.



Polymer Laboratory Stuttgart

Fax.: +49 711 7864 778

TSS.PolymerLaboratoryStuttgart@trelleborg.com

erstellt am / issued: 2007-08-07

Unterschrift / signature: gäb

FB-PLS-001/f 2007-04-02 Vers.4 kfu

FS- 3036 A

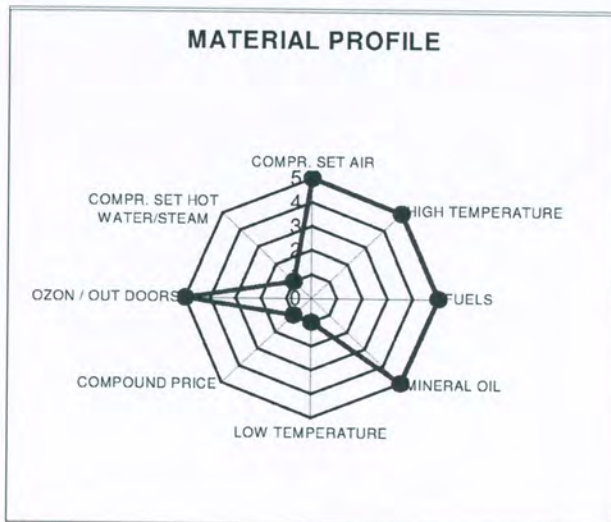


## MATERIAL - DATENBLATT / MATERIAL DATA SHEET

Material-Nr.: **V7T40**  
 Material No.:

**Non specified properties for 67 70 025**

|  |        |
|--|--------|
| Volume change in ASTM Oil No1 after 70 h/ 150 °C | +1,0 % |
| Volume change in Fuel B 70 h/ 23°C               | +1,5%  |
| Low Temperature Flexibility (TR 10)              | -17 °C |
| Compression set, O-ring 3 mm, 70h/ 200°C         | 21%    |
| Elongation loss after1000h/ 175°C in air         | -10 %  |



**LEGEND**  
 Read graph as follows:  
 The higher value (1 to 5) the higher or better performance for the property in question.  
 For Compound Price, a high value =low price

The information in this data sheet is to be regarded only as basic. Normally our laboratory conducts a number of other tests and evaluations and the results are available to our business partners. Please contact us if you feel that more information is needed.



Issued by *Erica Forslund*

Date 2004-03-24

Polymer Laboratory Stuttgart

Fax.: +49 711 7864 778

TSS.PolymerLaboratoryStuttgart@trelleborg.com

erstellt am / issued: 2007-08-07

Unterschrift / signature: gäb

FB-PLS-001/f 2007-04-02 Vers.4 kfu