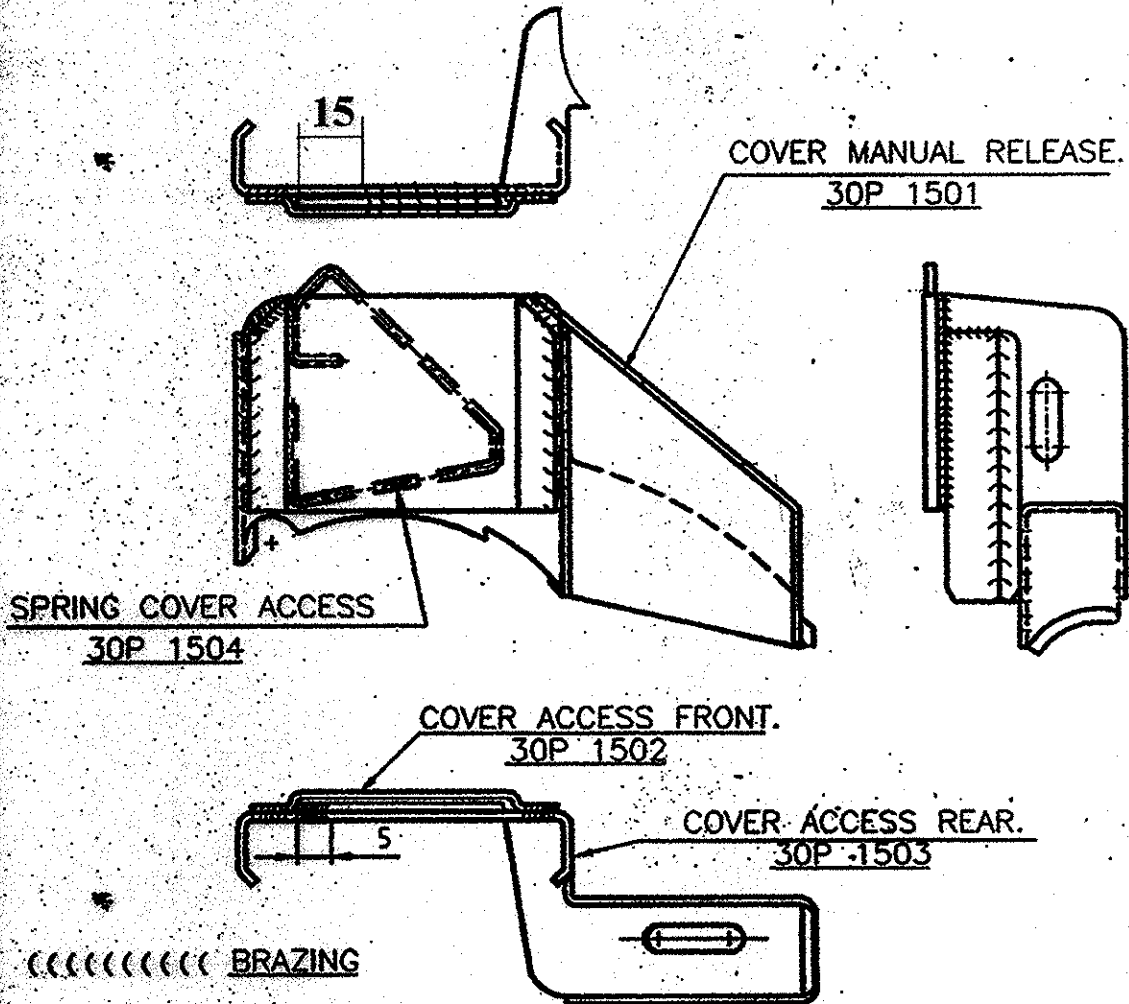


0051 30P 1500, ON'DRD

DIMENSIONS ARE IN mm.  
 UNTOLERATED DIMNS. AS PER IS : 2102 (MED)  
 MARK DRAWING No.



**PROTECTIVE FINISH:-**  
**PHOSPHATED TO SPECN. JSS:0465-01-1988**  
**CLASS-1(ACCELERATED)OIL FINISH.**

PART NO.	DESCRIPTIONS	NO OFF	MATERIAL	TREATMENT	REMARKS
 TRACED DRAWN CHECKED HOS/D&DO NDDAL OFFICER D&DO APPROVED ON. 25/02/2015	SIGNATURE & DATE	SUB: COVER COMBINATION ASSY.			SCALE 2:1
	<i>S. Venkatesh</i>	FOR: BARREL AND FRAME GROUP			STORE DRG.NO.
		OF: 40mm MGL			OPERATION NO.
		DES.REF.NO.			SHEETS: 1
		DRG. No.: 30P 1500			SHEET No.: 1
ORDNANCE FACTORY TIRUCHIRAPPALLI-16.					

AMENDMENTS & DATE