

L/OUT No. P. 4/12

DIRECTOR FIRE CONTROL No.7 MK 5(CASED).

BASE.

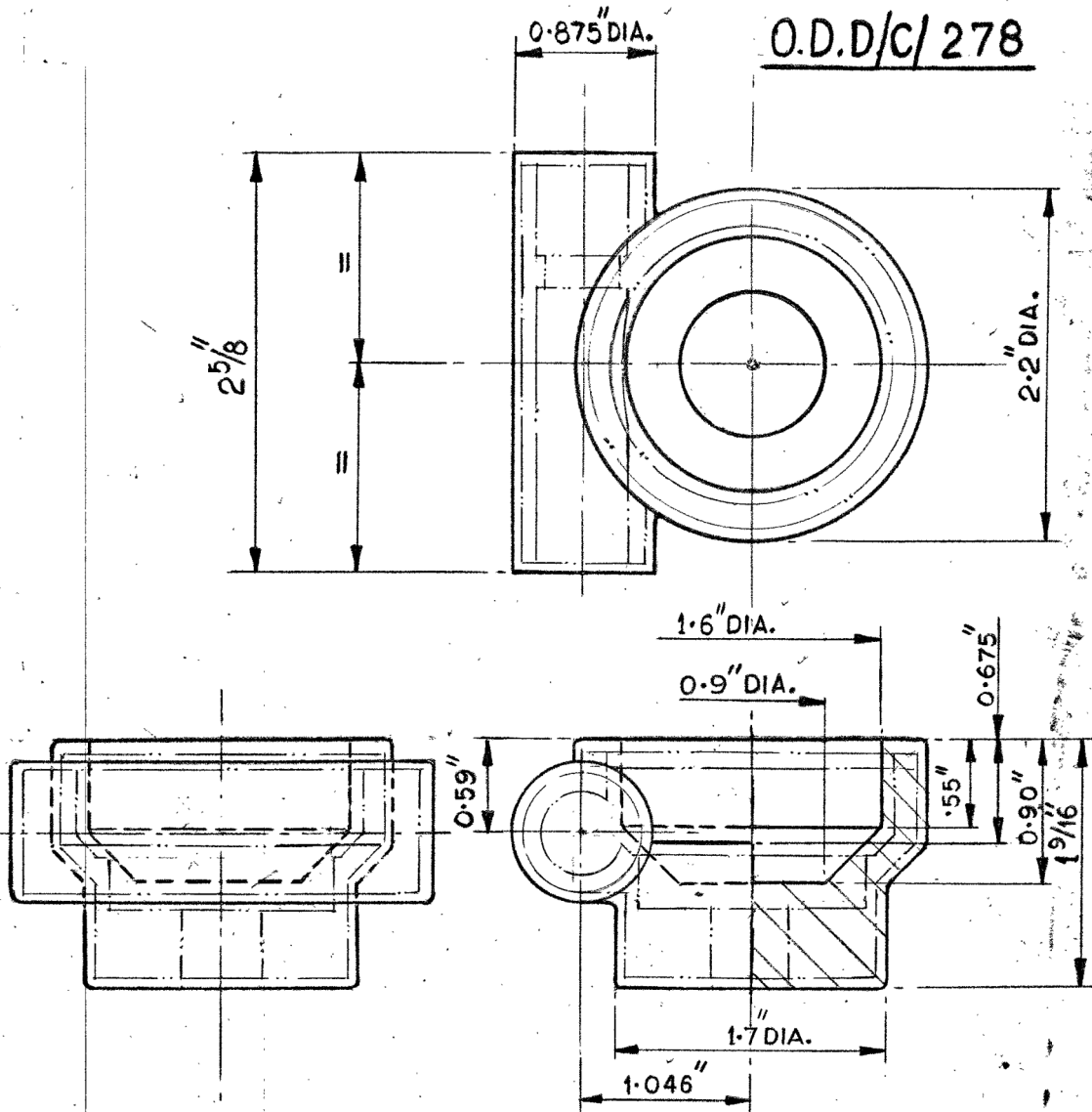
DETAIL No. 24 A.

(CASTING DRAWING)

PART No. Q.S.13634

EXT.No 3967 D.D.

ORDNANCE FACTORY, DEHRADUN.



O.D.D/C/278

NOTE:

COMPONENT SHOWN IN CHAIN DOTTED LINES.

MACHINE ALL OVER

DIMENSIONS INCLUDE MACHINING ALLOWANCE

SHRINKAGE ALLOWANCE IS TO BE ADDED.

MATL: GUNMETAL STA 7/662  
NON MAGNETIC 15:306

DT. 7-4-63 SCALE 1

DR. (M.L. ARORA) TR. *R. Bhandari*  
CH. (G.L. JETHI) CH. *...*

MATL. TRE  
AS ABOVE

**APPROVED**

VIDE C.I.I LETTER No. 081962

SHEETS 1 SHEET No. 1

\*D.A. No. 76/77 Dt. 22-8-77

DATED 20-5-63. I OF I

AMENDMENTS

DRG.No. O.D.D/C/278

OED/DO/002