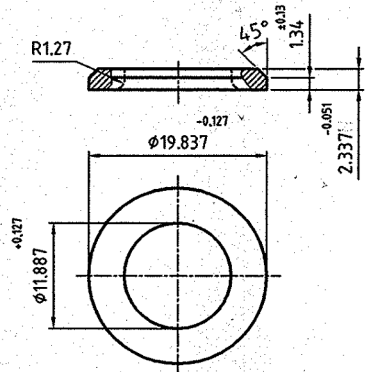


DRG.No. 29P0066

DIMENSIONS ARE IN mm.
UNTOLERATED DIMENSIONS AS PER IS. 2102 (MEDIUM)



MATERIAL: BS.970, Pt.1, 1983, Gr.070 M20 CD

TREATMENT & FINISH:-

HARD & TEMPD. ANTIRUST FINISH TO
SPECN. WPN/GEN CLASS-II. ONE SIDE TO BE PAINTED
TO SPECN. DEF.1407 WITH GLOSSY FINISH

PROTECTIVE FINISH:-

PHOSPHATE TO SPECN. JSS.0465-01:1988
CLASS-1 PAINT REFU STOVING BLACK
TO SPECN. JSS 8010-37 MATT FINISH

PART NO.	DESCRIPTIONS	NO OFF	MATERIAL	TREATMENT	REMARKS																																				
	<table border="1"> <tr> <td rowspan="5"> </td> <td>SIGNATURE & DATE</td> <td colspan="2">SUB: WASHER, BOLT, STOCK</td> <td>SCALE</td> <td>2:1</td> </tr> <tr> <td>TRACED</td> <td colspan="2">FOR:</td> <td>STORE DRG. NO.</td> <td></td> </tr> <tr> <td>DRAWN</td> <td colspan="2">OF: .315" SPORTING RIFLE</td> <td>OPERATION NO.</td> <td></td> </tr> <tr> <td>CHECKED</td> <td colspan="2">DES. REF. NO: D.S.CAT.No.5310-003181</td> <td></td> <td></td> </tr> <tr> <td>OIC/D&DO</td> <td colspan="2">DRG. NO: 29P0066</td> <td></td> <td></td> </tr> <tr> <td>PRODN. OFFICER</td> <td></td> <td colspan="2" rowspan="2"> ORDNANCE FACTORY TIRUCHIRAPALLI-16. </td> <td>SHEETS: 1</td> </tr> <tr> <td>DIV.OFFICER D&DO</td> <td></td> <td>SHEET NO: 1</td> </tr> <tr> <td>AMENDMENTS</td> <td>SIG. & DATE</td> <td colspan="4">APPROVED ON: 10/04</td> </tr> </table>		SIGNATURE & DATE	SUB: WASHER, BOLT, STOCK		SCALE	2:1	TRACED	FOR:		STORE DRG. NO.		DRAWN	OF: .315" SPORTING RIFLE		OPERATION NO.		CHECKED	DES. REF. NO: D.S.CAT.No.5310-003181				OIC/D&DO	DRG. NO: 29P0066				PRODN. OFFICER		ORDNANCE FACTORY TIRUCHIRAPALLI-16.		SHEETS: 1	DIV.OFFICER D&DO		SHEET NO: 1	AMENDMENTS	SIG. & DATE	APPROVED ON: 10/04			
	SIGNATURE & DATE		SUB: WASHER, BOLT, STOCK		SCALE	2:1																																			
	TRACED		FOR:		STORE DRG. NO.																																				
	DRAWN		OF: .315" SPORTING RIFLE		OPERATION NO.																																				
	CHECKED		DES. REF. NO: D.S.CAT.No.5310-003181																																						
	OIC/D&DO	DRG. NO: 29P0066																																							
PRODN. OFFICER		ORDNANCE FACTORY TIRUCHIRAPALLI-16.		SHEETS: 1																																					
DIV.OFFICER D&DO				SHEET NO: 1																																					
AMENDMENTS	SIG. & DATE	APPROVED ON: 10/04																																							

 | | | |