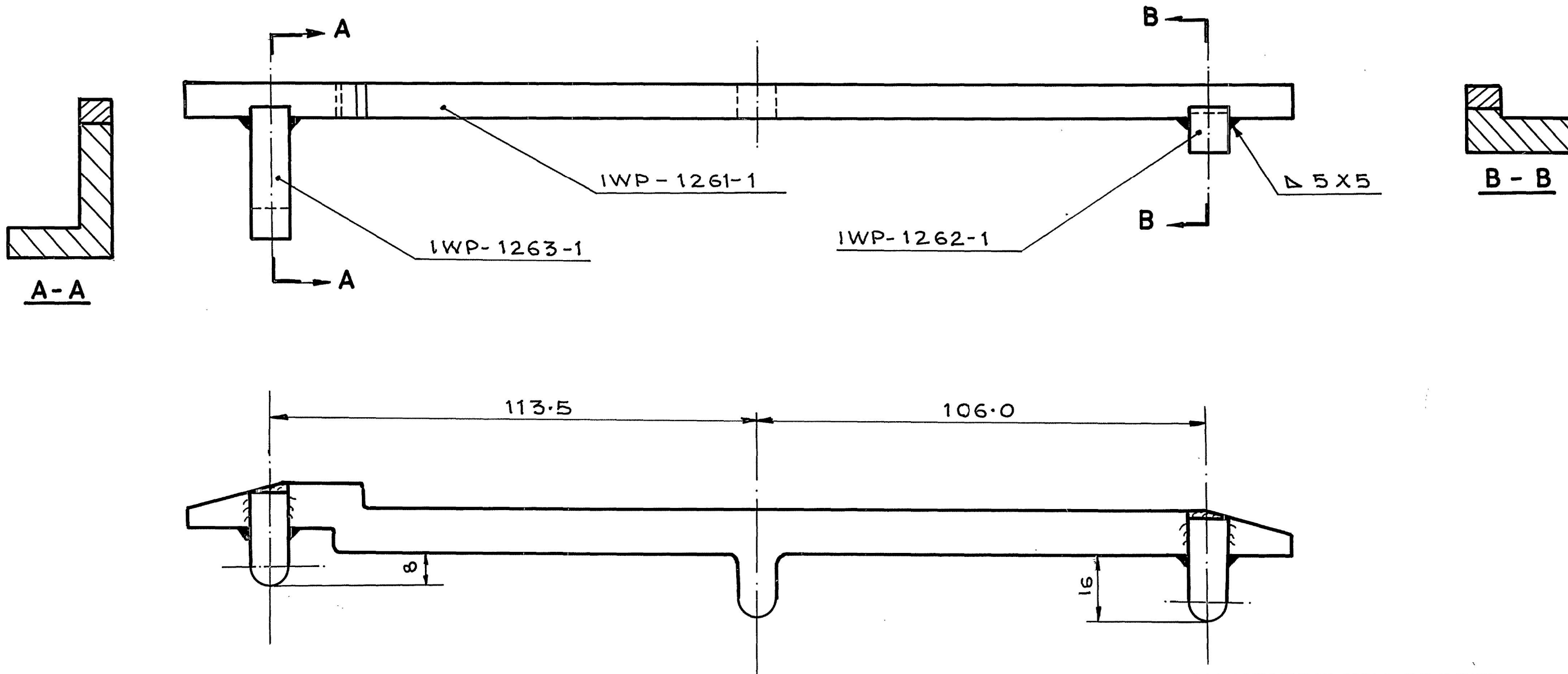


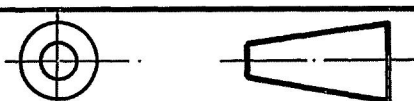
D S CAT NO.

5340-015624

FOR EXPLANATION OF DIMENSIONING ETC. SEE
ARDE NOTE SHT.NO.1
DIMNS. ARE IN mm. UNLESS OTHERWISE STATED



ALL WELDING WILL BE DONE
AS PER IS: 1442 OR BS: 639 Pt-4

30-8-06	18997-W	D. S. CAT. No. & NOMEN. AMENDED.								
12 11/83	18819-W	HINDI NOMEN ADDED			DRN-	CHD-	ASSY.DRG-1015-000541	CQA(W) JABALPUR		
23-4-02		RETRACED WITHOUT CHANGE			TCD- <i>P. Singh</i>	CHD- <i>G.P. Shukla</i>	DATE- 3.4.70			
		PREV.DC(I) NOs - 15961-W & 16095-W/DT. 23.12.83			<i>Syhm</i>	AHSP	SCALE- 1:1			
DATE	AUTHORITY	ZONE	NATURE	SIG AHSP	SIG DO	C/D' MAN	DO FOR CQA(W)			ESTD MASS-
AMENDMENTS					MATERIAL-					
DRG. SEALED - 16095-W 23.12.83					DO CQA(W)					DESIGN NO. D6P-310004
					PROTECTIVE FINISH-TO BE PHOSPHATED AS PER SPEC. WPN/GEN/3, CLASS-II, TYPE 13(j)					PART NO. IFL 7362

CONNECTOR ROD END

कनेक्टर रॉड एंड

DSCAT NO.

5340-015624