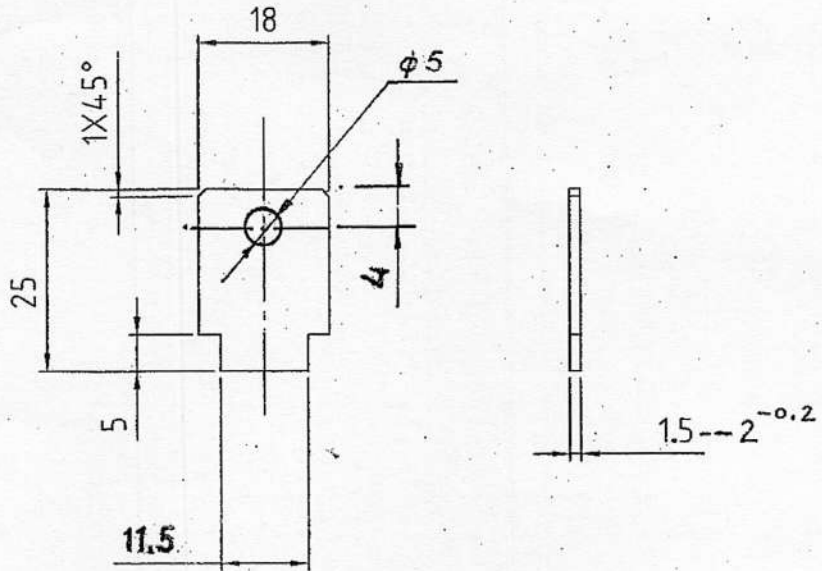


MATERIAL: <b>STEEL 45 C. &amp; IS: 5517</b>	TREATMENT HARDNESS: <b>HRC: 42---45</b>
SURFACE FINISH: <b>▽▽</b>	PROTECTIVE FINISH: <b>CHEMICAL ZINC PLATED</b>



UN CONTROLLED COPY  
 CERTIFIED CORRECT COPY OF APPROVED  
 DRAWINGS AT THIS DATE 26/4/22  
*S. Lakshmi* 26/4/22  
 DESIGN & DRAWING OFFICE,  
 OPORANCE FACTORY, TIRUCHIRAPPALI - 620 016.

**270918**  
 व्यापार हेतु  
 FOR TRADE ONLY

ITEM	DESCRIPTION	No. OFF	MATERIAL	REMARKS
LIST OF PARTS				
COMPT. No.	ASSY. DRG. RDS	<b>OPTO ELECTRONICS FACTORY DEHRADUN</b>		
2012	GEN. TOL IS 2102 (Pt-1):1993-m	TITLE		
DRAWN	<i>MO</i>	10/9/12	<u>SCREW DRIVER FOR RDS</u>	
CHECKED	<i>MO</i>	10/9/12	REF.	M
JWM	<i>ARL Per</i>	10/9	DRG.No. OLF/R&D/RDS/001.08	
D.A.No.	DATE/SIGN	DESCRIPTION	DGM/TS <i>[Signature]</i> M/Yr.	
AMENDMENTS			APPROVED	
				SCALE: 1:1
		SHTS. 01	SHT.No. 01	