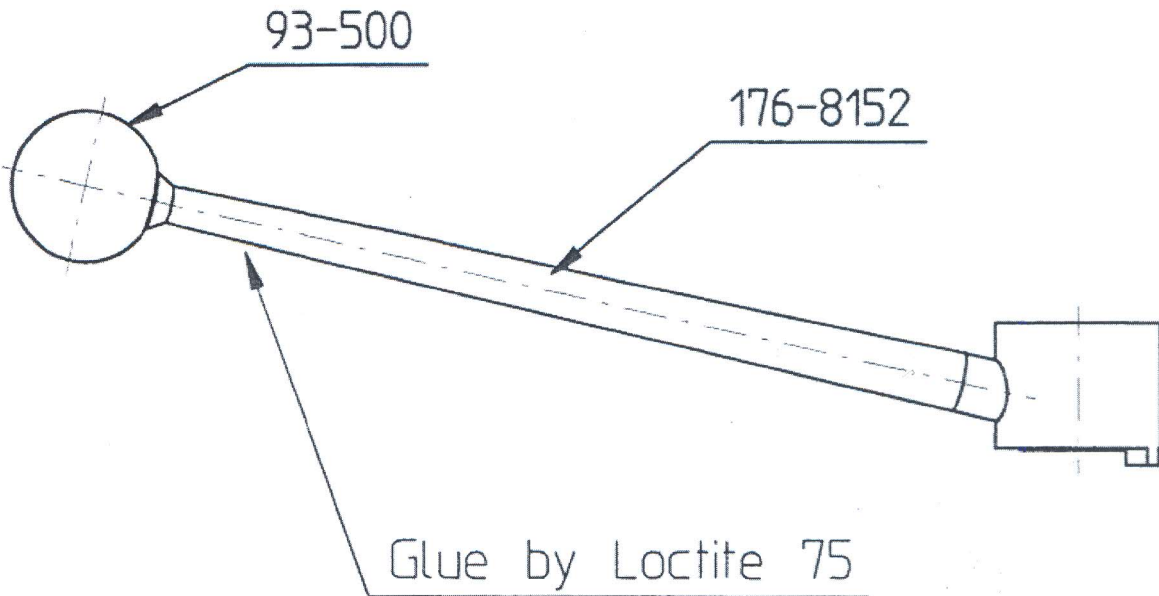




THIS DRAWING/DOCUMENT CONTAINS
 COMPANY PROPRIETARY INFORMATION.
 USE OR DISCLOSURE IN WHOLE OR
 IN PART SHALL NOT BE MADE
 WITHOUT THE WRITTEN PERMISSION
 OF OFB



केवल निविदा हेतु
 सन्दर्भ माँग पत्र सं० 380083
 दिनांक 12-04-2018

ID. No. 2140
 Location. 01/06/01

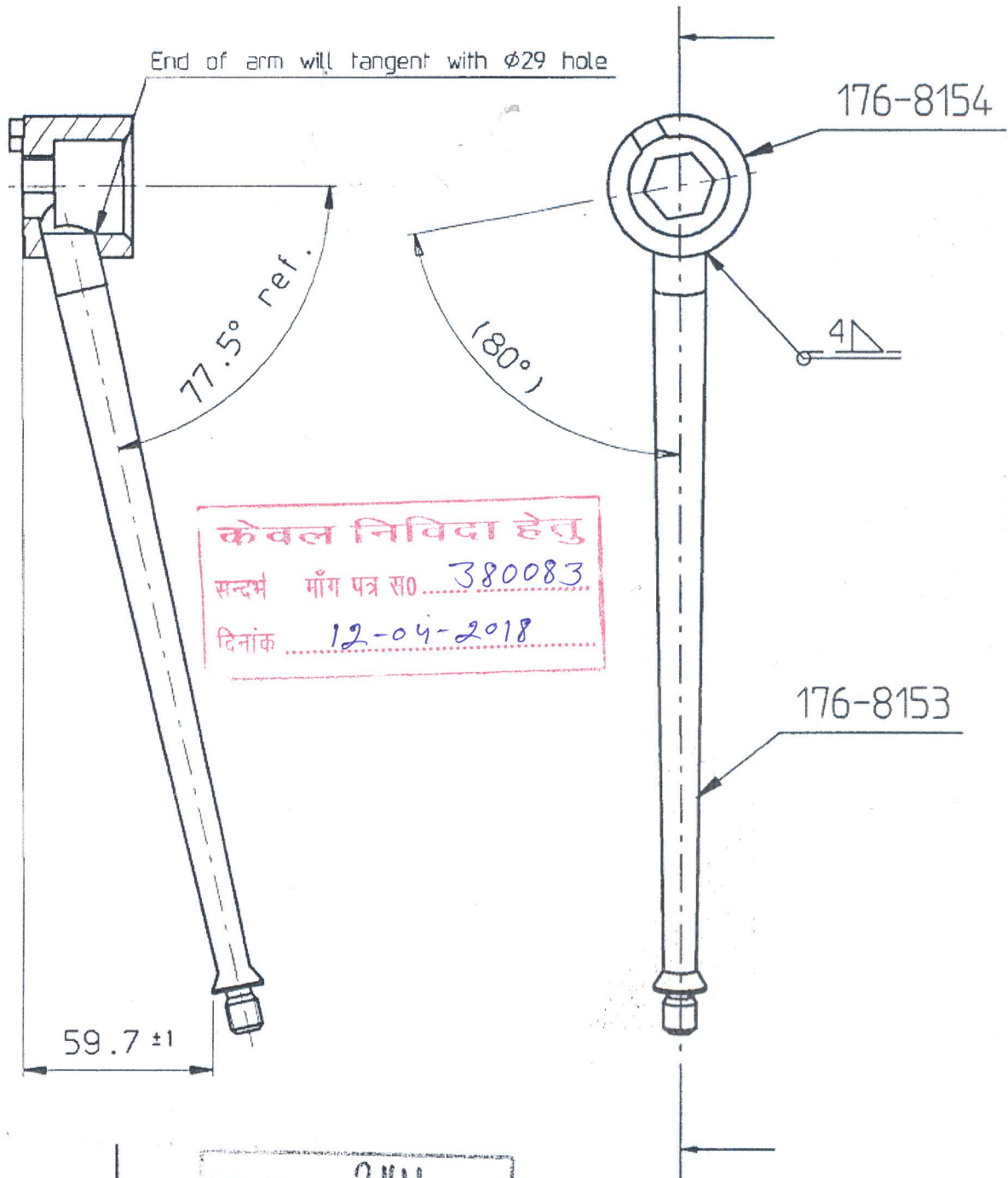
10514-W
 Dt. 6-6-2005
 DRAWING SEALED
 CQA(W)
 CQA (W), JABALPUR

MACHINING INSTRUCTIONS		UPDATED		PREP'D	
UNSPECIFIED TOLERANCES FOR DIMENSIONS AND ANGLES DIMENSIONS		Sh: 1		GHD	
ANGLES		of: 1		JWM/DO	
HEAT TREATMENT		1:2 A4		APPROVED	
FINISH		SCALE SIZE		DO/DO DIR/ODC	
MATERIAL		ASSEMBLY 176-8001		ORDNANCE DEVELOPMENT CENTRE, OFC, KANPUR	
RELEASE LEVER-SUB ASSEMBLY		NAME		PART NO. 176-8151	

SHARANG 130/155MM_UG_OFB_SLB
 PART NO.



THIS DRAWING/DOCUMENT CONTAINS
 COMPANY PROPRIETARY INFORMATION.
 USE OR DISCLOSURE IN WHOLE OR
 IN PART SHALL NOT BE MADE
 WITHOUT THE WRITTEN PERMISSION
 OF OFB



केवल निविदा हेतु
 सन्दर्भ माँग पत्र सं० 380083
 दिनांक 12-04-2018

18914-W
 Dt. 6-6-2005
 DRAWING SEALED W/DO
 CQA(W)
 CQA (W), JABALPUR

MACHINING INSTRUCTIONS
 UNSPECIFIED TOLERANCES
 FOR DIMENSIONS AND ANGLES
 DIMENSIONS
 ANGLES

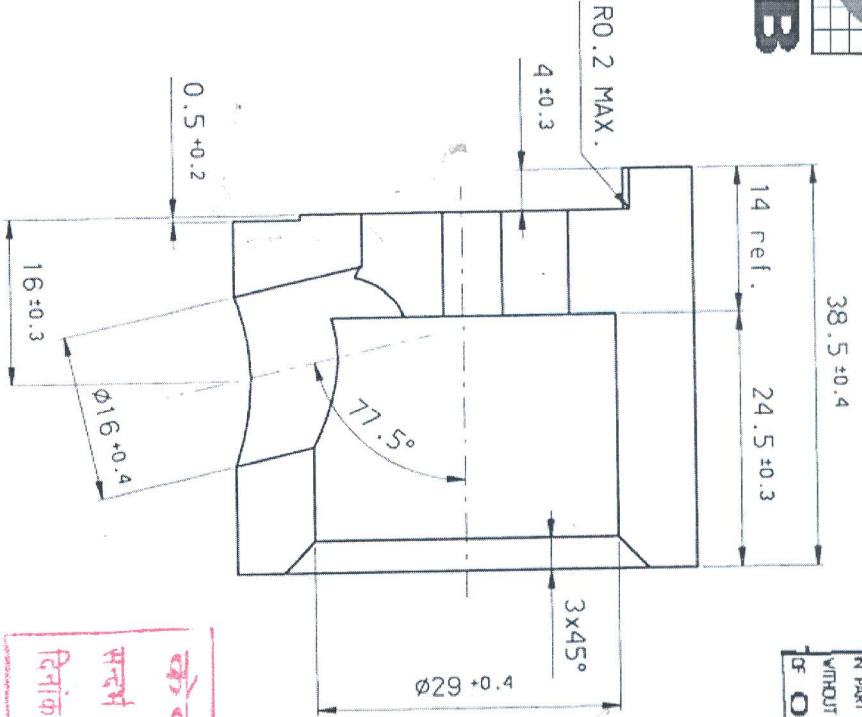
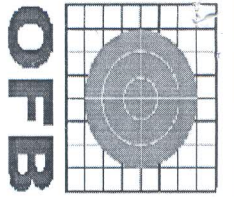
I.D. No. 2/41
 Location. 01/06/01.

SHARANG 130/155MM_UG_OFB_SLB	Sh: 1	UPDATED
PART NO.	of: 1	
HEAT TREATMENT	1:2	A4
FINISH PHOSPHATE COATING ACCORDING TO DDD-P-16232 TYPE M CL. 2	SCALE	SIZE
MATERIAL	ASSEMBLY 176-8151 (176-8001)	

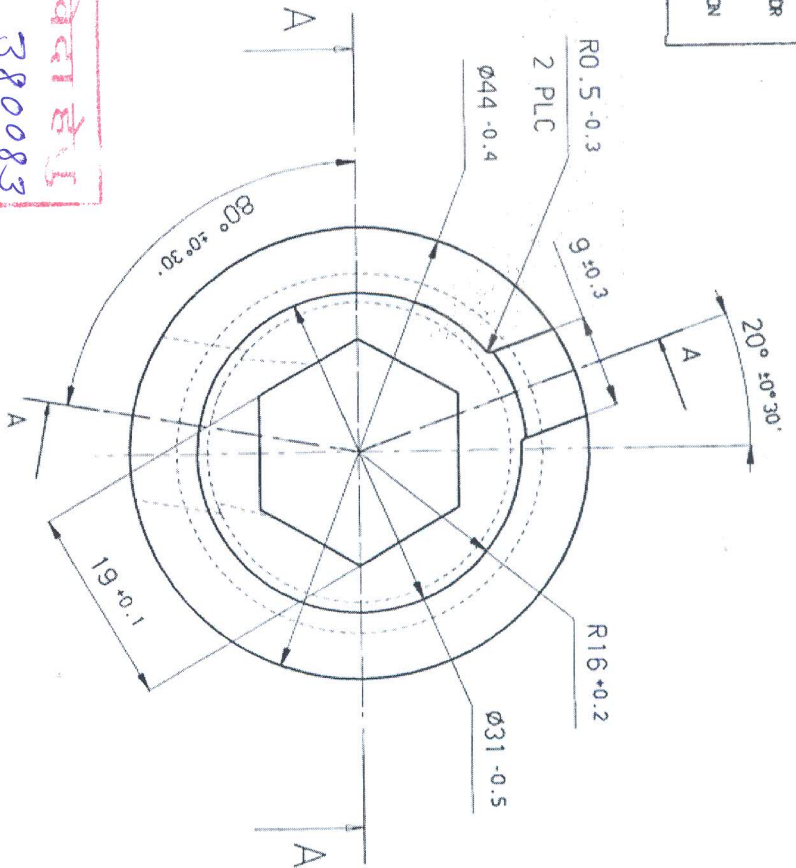
PREP'D	
GHD	
JWM/DO	
APPROVED	
DO/DO	DIR/DBG
ORDNANCE DEVELOPMENT CENTRE, QFC, KANPUR	

NAME LEVER-WELDING

PART NO. 176-8152



THIS DRAWING/DOCUMENT CONTAINS
COMPANY PROPRIETARY INFORMATION.
USE OR DISCLOSURE IN WHOLE OR
IN PART SHALL NOT BE MADE
WITHOUT THE WRITTEN PERMISSION
OF OFB



केवल निविदा हेतु
सन्तर्ष माँग पर शो 380083
दिनांक 12-04-2018

SECTION A-A

6.3
✓

ID No. 2143
Location 01/06/01

18914-W
Dt. 6-6-2005
DRAWING SEALED
COA (W), JABALPUR

MARKING INSTRUCTIONS
UNSCRIPED TOLERANCES
FOR DIMENSIONS AND ANGLES

SHARANG 130/155MM_UG_OFB_SIB
PART NO.
Srl. 1
of 1

DATE: 18/06/01
APPROVED
BY: BJB/SB
DATE: 18/06/01

HEAT TREATMENT
30-35 HRC

ASSEMBLY 176-8152 (176-8001)

DATE: 17/06/01
BY: BJB/SB
DATE: 17/06/01

MATERIAL
Round 48 DIN 1013 25CrMo4

NAME
BUSHING

PART NO.
176-8154