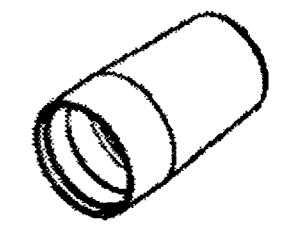
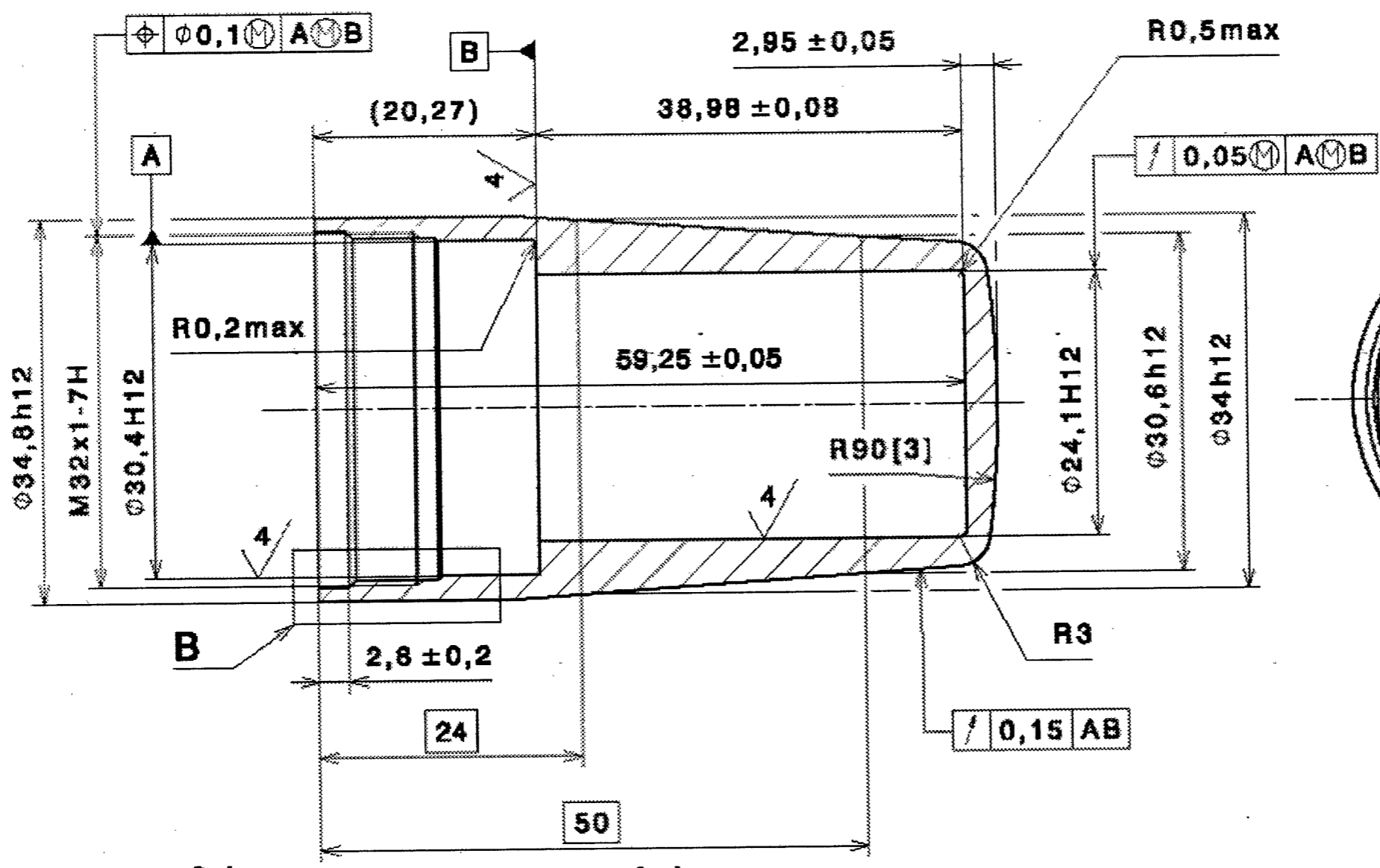
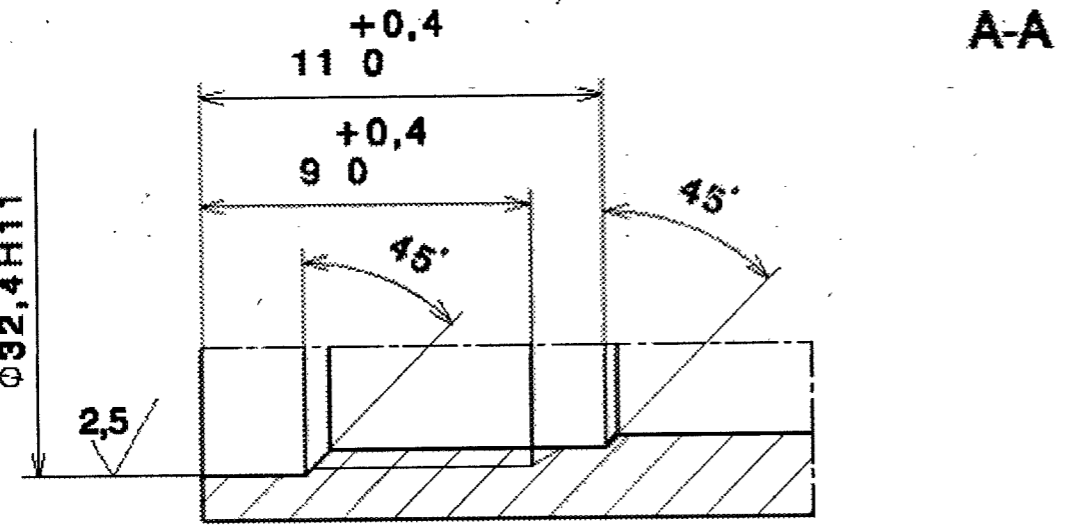
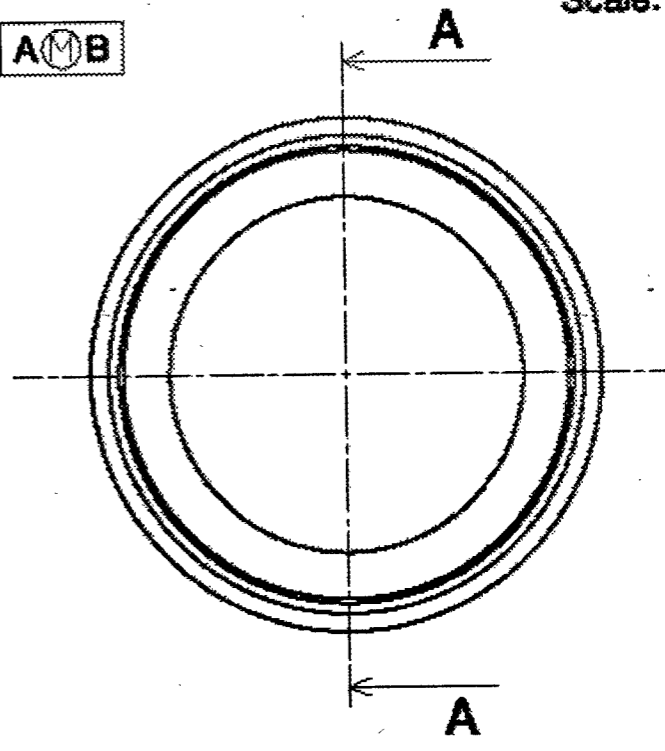


100
ORIGINAL SIZE A3



Isometric view
Scale: 1:2



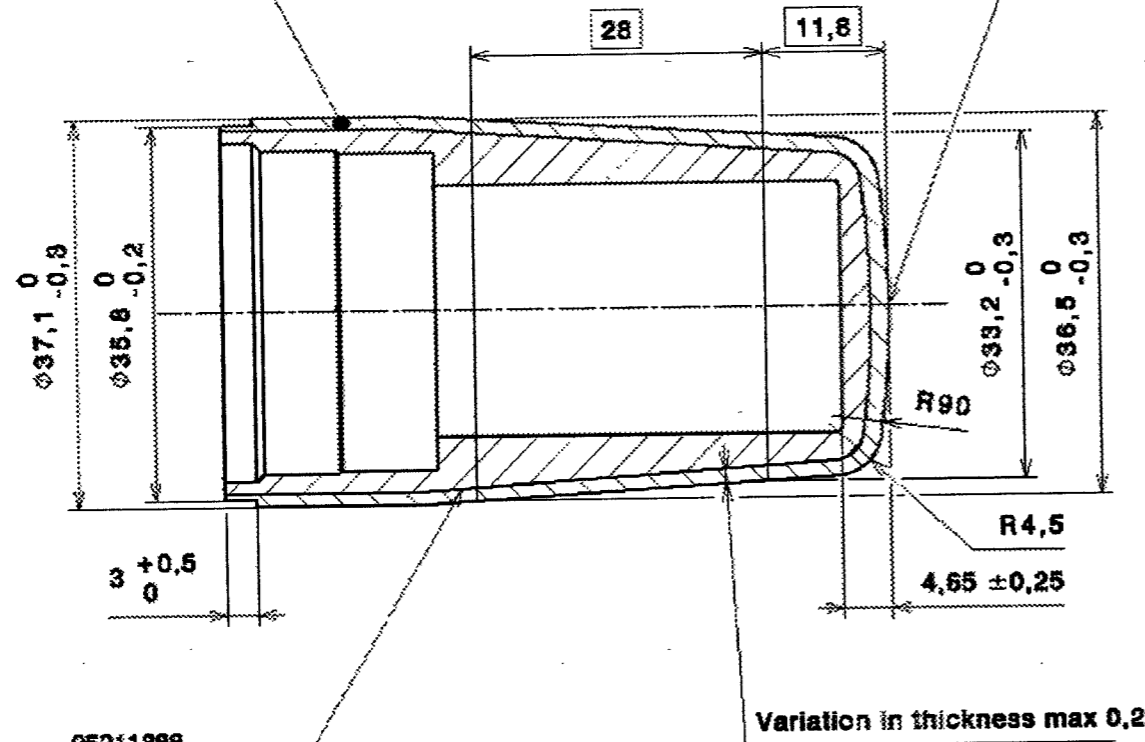
Detail B
Scale: 5:1

GENERAL SURFACE ROUGHNESS **Ra 12.5**

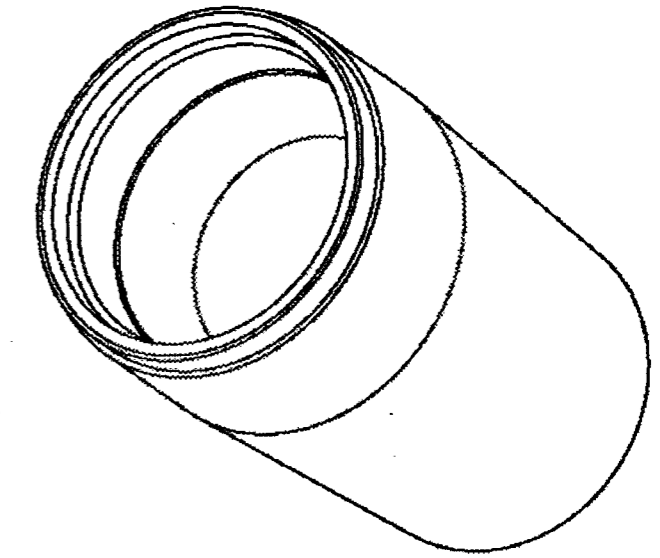
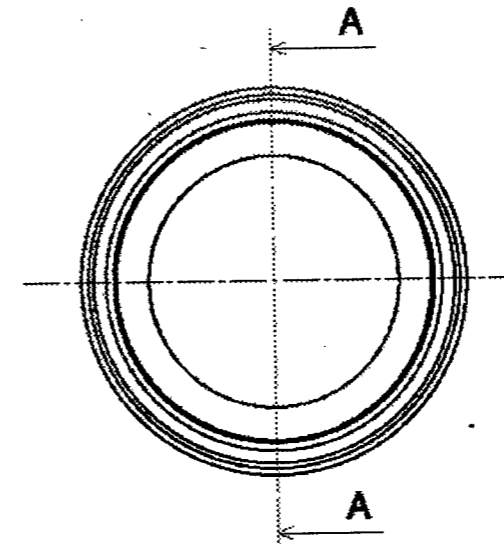
DIMENSIONS ARE IN mm			MATERIAL: EN AW 7075-T6	ORDNANCE FACTORY AMBAJHARI
FIRST ANGLE PROJECTION			OR EN AW 2014-T8	
SCALE 1:1			NOMENCLATURE:	DRAWING NO.
2018	NAME	DATE	FUZE HOLDER (304101465)	FS-3025
DRAWN	<i>Lawreli</i>	22/5/18		ISSUE 1 SHEET 1/1
CHECKED	<i>[Signature]</i>	24/5		SHEET NO.
HOS/CDD	<i>[Signature]</i>	22/5/18		NO. OF SHEET
APPROVD	<i>[Signature]</i>		STORE: 84 mm HEAT-751	OPERATION
				COMPONENT FUZE HOLDER

Acc. to 301161487

Sprue slug/dent permissible max height 0,1



Section view A-A



Isometric view

100
ORIGINAL SIZE A2

Design acc. to SS-ISO 3302-1
Flash class X0
Surface finish class 2 (Ra 3,2)

Generally requirement class [3] applies

DIMENSIONS ARE IN mm			MATERIAL		ORDNANCE FACTORY AMBAJHARI	
FIRST ANGLE PROJECTION					DRAWING NO.	
SCALE 2:1			NOMENCLATURE:		FS-3027	
2018	NAME	DATE	FUZE HOLDER ASSEMBLY (05211881)		ISSUE 4 SHEET 1/1	
DRAWN	Wajid	22/5/18			SHEET NO.	
CHECKED	[Signature]	22/5			NO. OF SHEET.	
HOS/CDD	[Signature]	22/5			OPERATION	
APPROVD	[Signature]		STORE 84 mm HEAT-751		COMP : FUZE HOLDER ASSEMBLY	