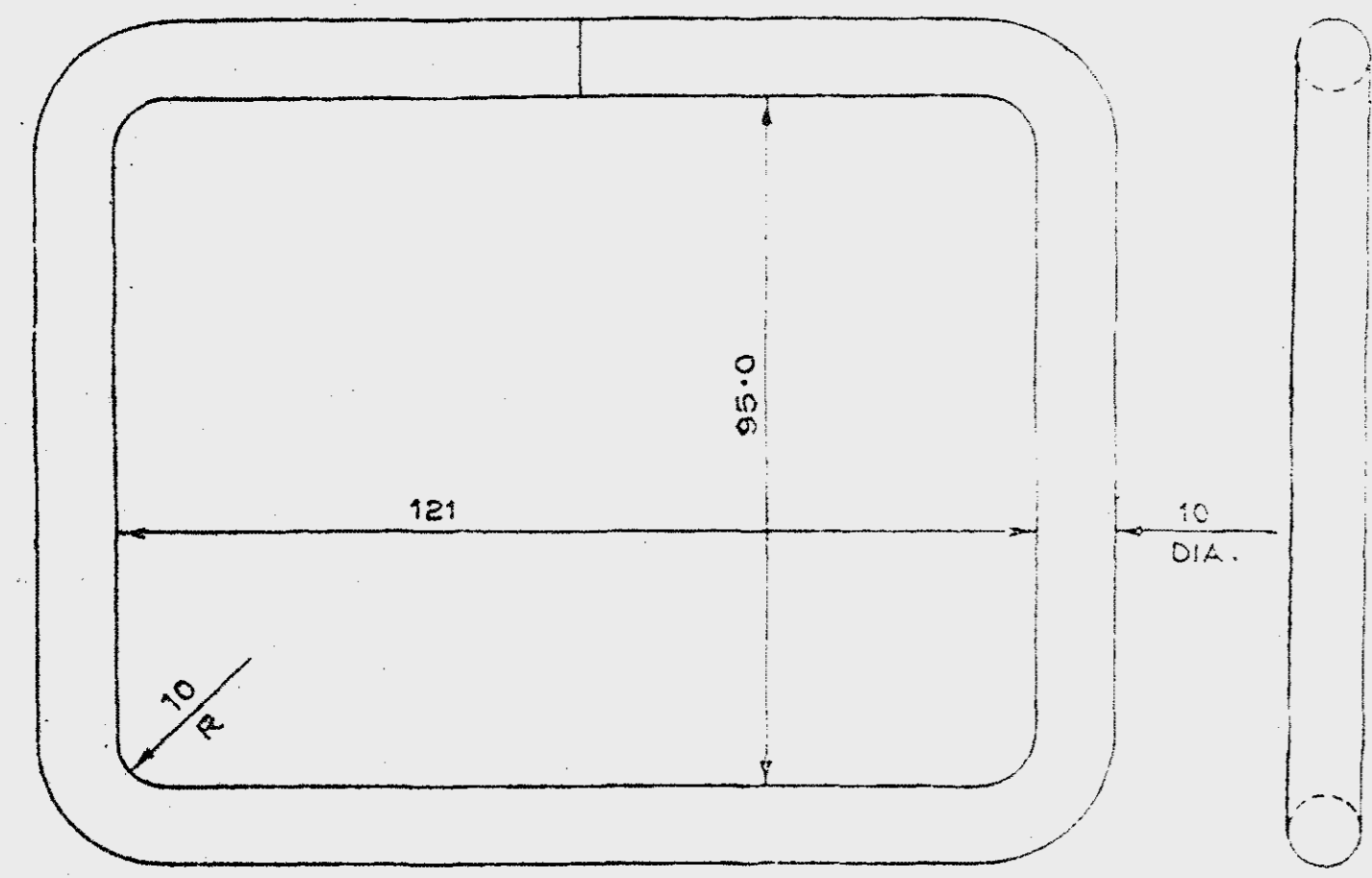


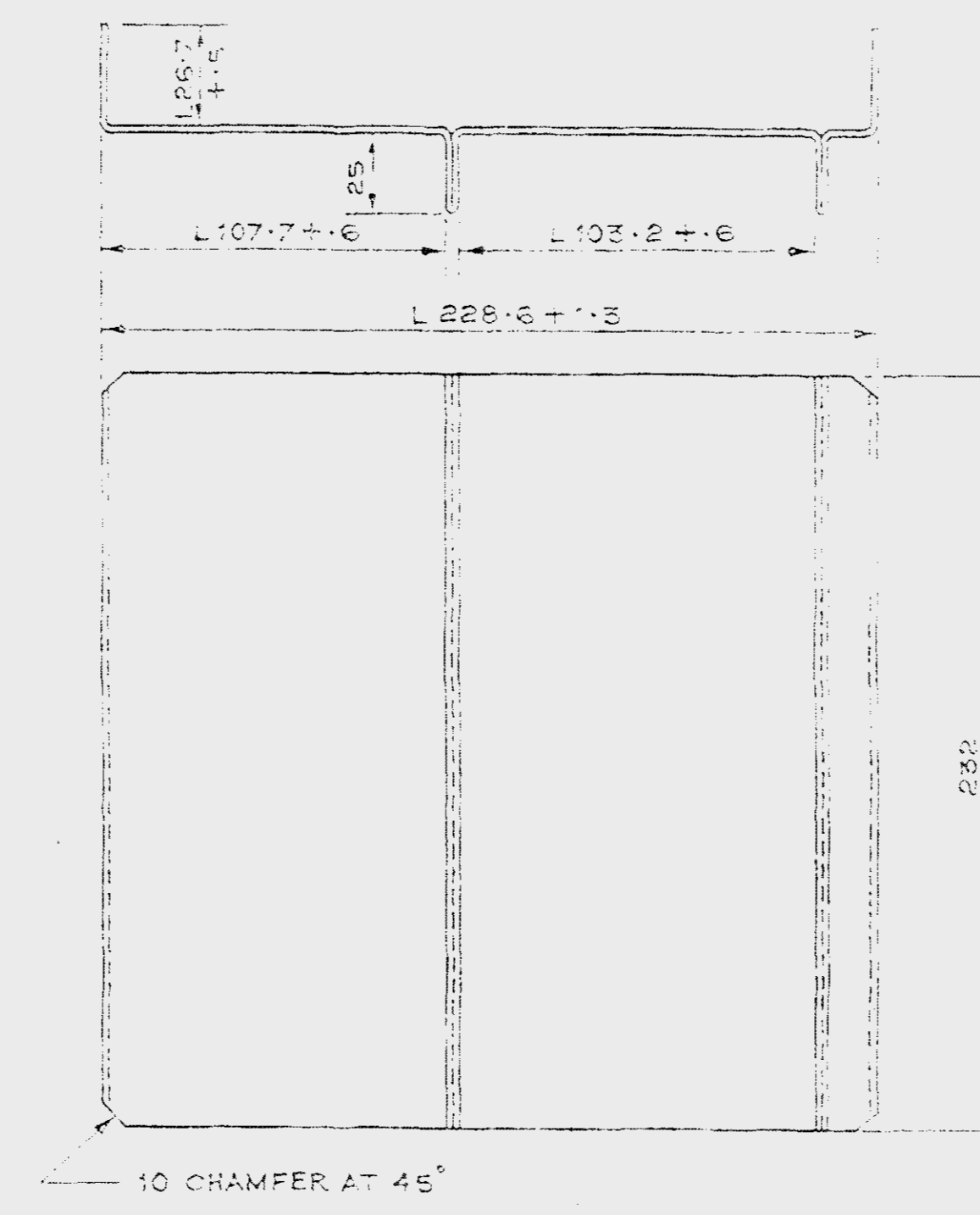
PART 10
NOT APPLICABLE
D.C.I. 17968-A

DRG. CONVENTIONS CONFORM TO IS: SPECS.
ANGLE PROJECTION. DIMENSIONS ARE IN mm.



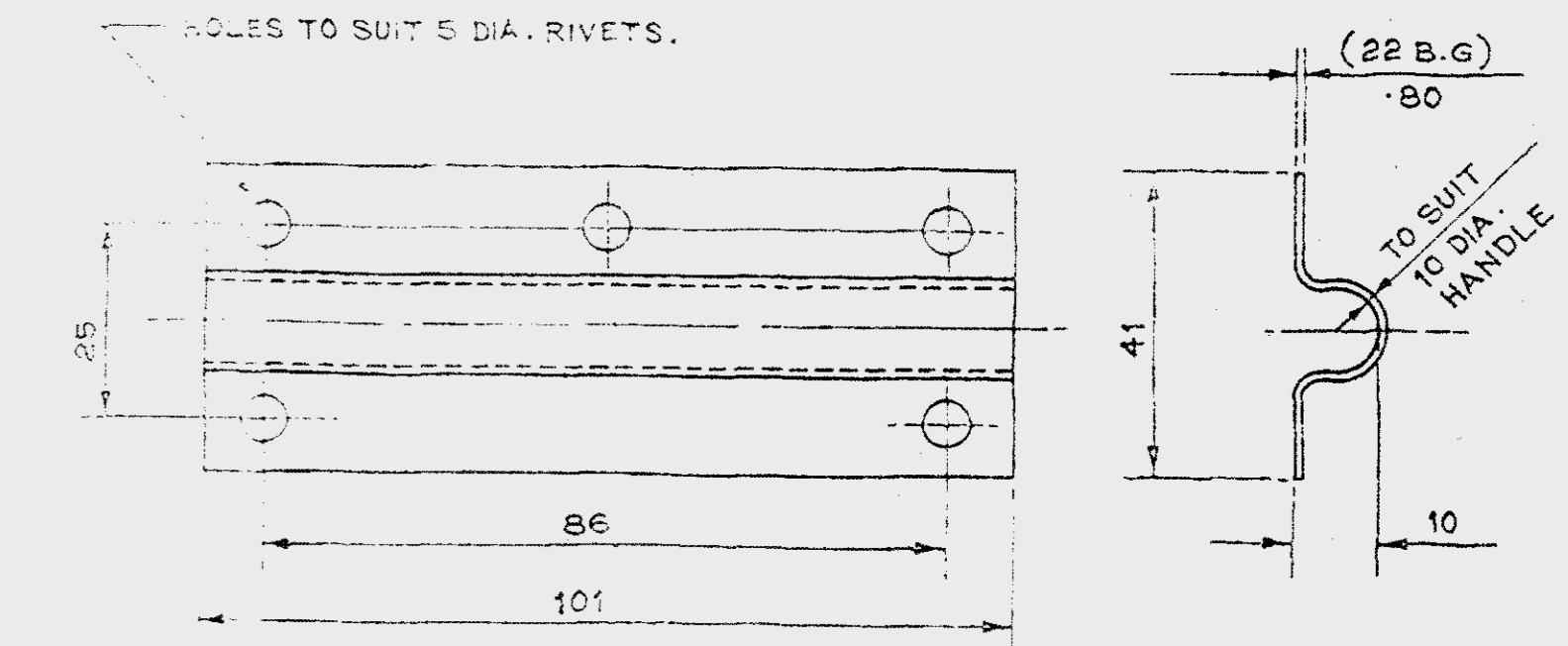
HANDLE - STEEL
2 PER SET

MATERIAL :- STEEL TO IS 7283 - 1992 DES C 20

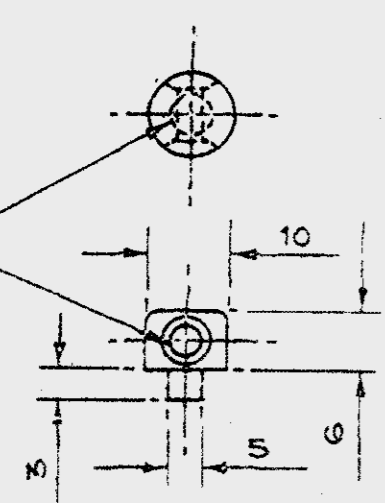


SEPARATOR, PACKING CARRIER,
STEEL MILD SHEET No. 20 (20 B.G.)
2 PER SET
SCALE :- 1/2.

PART No. ISV 293.

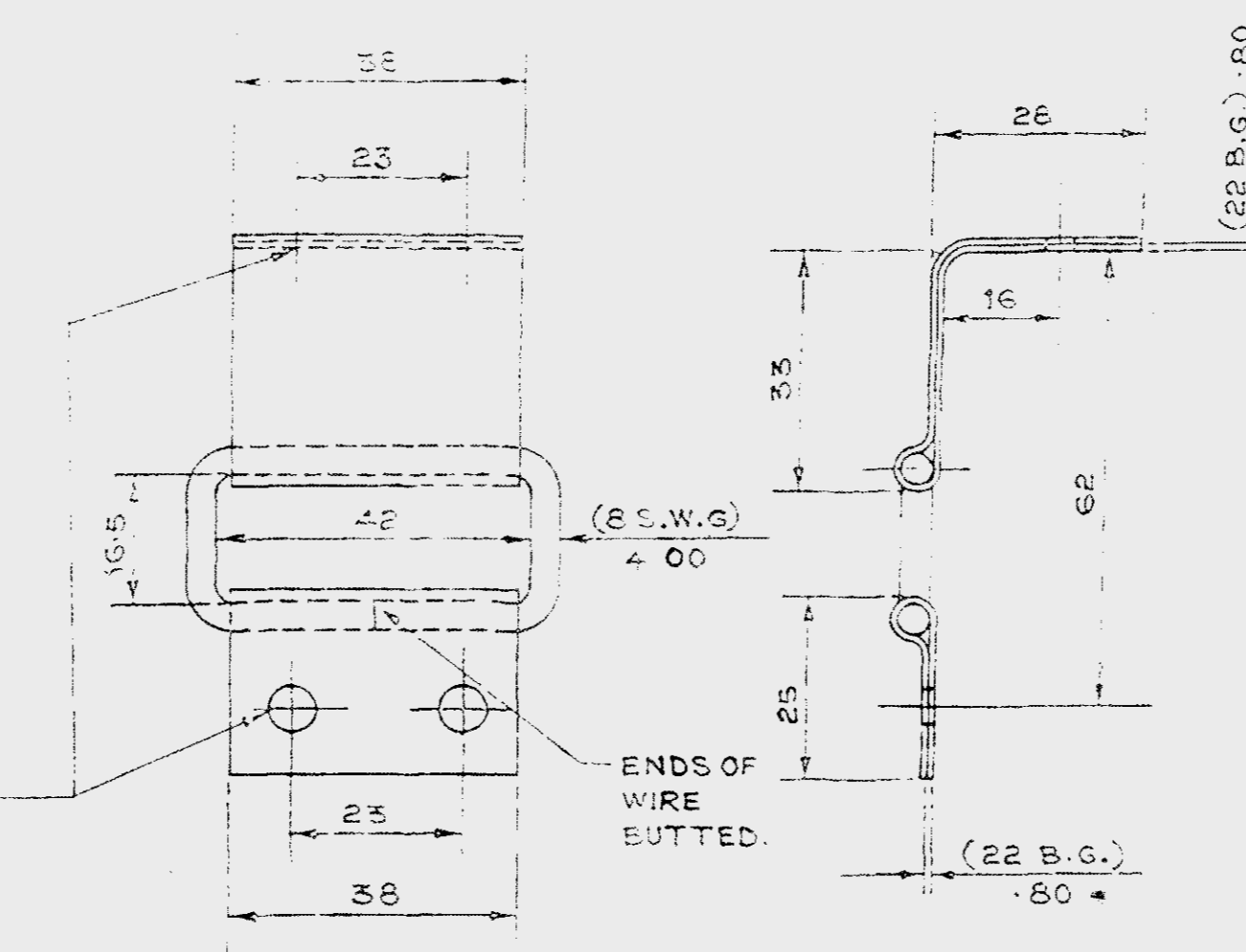


HANDLE CLIP - STEEL
2 PER SET

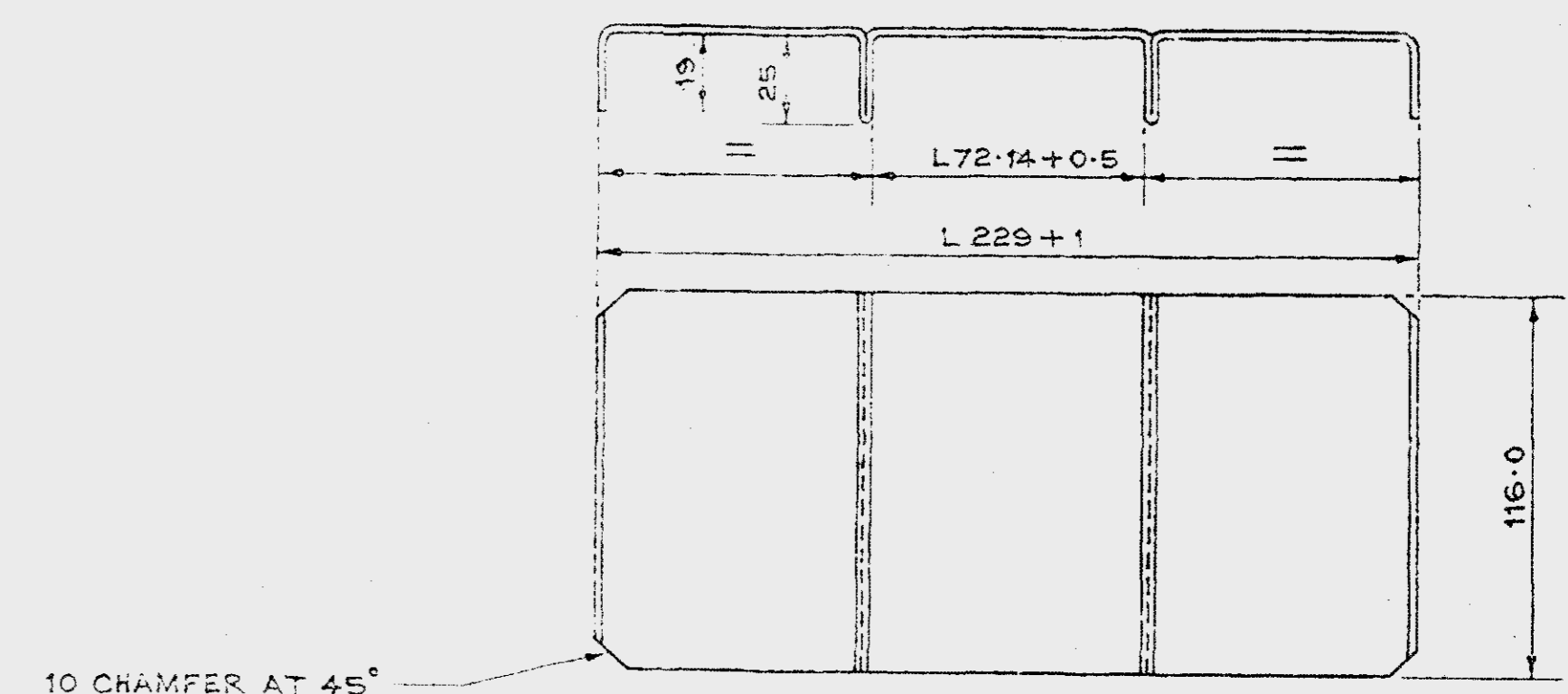


STUD - STEEL
2 PER SET.

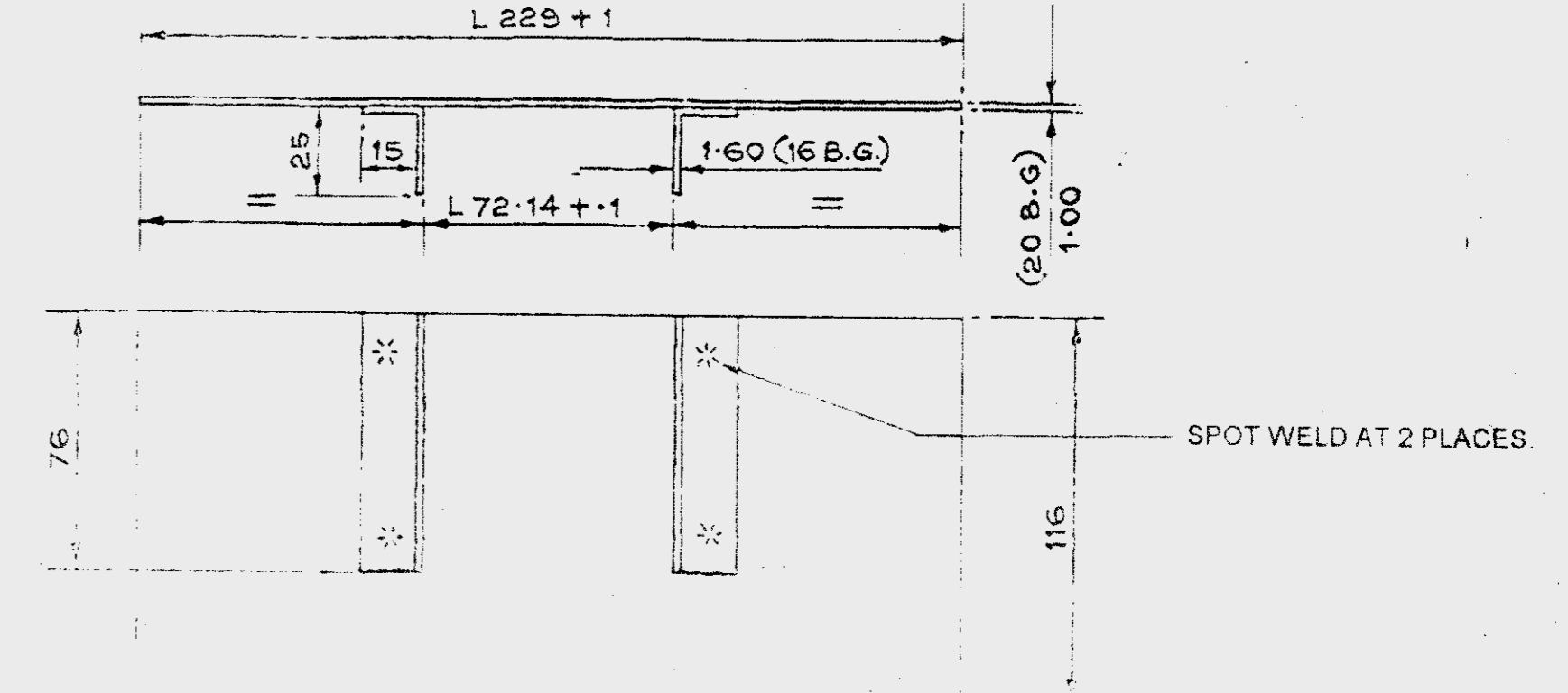
MATERIAL :- STEEL TO IS 7283 - 1992 DES C 20



HINGE - STEEL
2 PER SET.



SEPARATOR, PACKING CARRIER
STEEL MILD SHEET No. 20 B.G.
2 PER SET
SCALE :- 1/2



VIEW SHOWING ALTERNATIVE METHOD OF MANUFACTURE.

PART No. ISV 294

OBSOLESCE
FOR ITEM No. 10

NOTES - ALL PARTS TO BE RUST-PROOFED BY AN APPROVED PROCESS

MATERIAL FOR SHEET:

STEEL CONFORMING TO ANY ONE OF THE FOLLOWING SPECIFICATIONS
 (i) IS 1079 - 1965 (AMENDMENT No. 1) REAFFIRMED IN 1992 GRADE ST 34 HOT ROLLED & ANNEALED
 (ii) IS 513 - 1985 REAFFIRMED IN 1992 COLD ROLLED & ANNEALED BEST SURFACE TYPE 'D'

FOR WIRE - (FOR LINK) STEEL WIRE CONFORMING TO SPECIFICATION IS 280 - 1978 (AMENDMENT No. 1) REAFFIRMED IN 1992 HALF HARD BRIGHT DRAWN.

TOLERANCE ON UNTOLERANCED DIMENSIONS ± 0.5

PROTECTIVE FINISH - AS ABOVE	MATERIAL - AS ABOVE	AGSY. DRG. - IA 646 SHT No. 1
ESTIMATED MASS - NOT APPLICABLE		INSR INSTRS - ZA 1783 (D)
SCALE - 1:1 UNLESS OTHERWISE STATED.		DRAWN [CHECKED] TRACED [TRN] [TRN]
		SD/- N.M.G. 1/20%
		CHIEF D'MAN GROUP OFFICER.

BOX, B - 184, MK. 1 / L / I.
DETAILS.

APPROVED	SD/-	FOR CQA (A)
DATE - NOT APPLICABLE		
DESIGNER'S REF	1.A. 646	2 SHEETS
DETAIL No.		SHEET 2
PART No.		
NOT APPLICABLE		
CQA (A) KIRKEE.		

NO.	DESCRIPTION	DATE	BY	CHKD
1	FOR PRINT BOX SUPPLIES ADDED TO DRG. CONFORM TO IS SPECS. ADDED			
2	NOTE - OBSOLESCE FOR ITEM No. 10 ADDED			
3	NOTE - MATERIAL AMENDED			
4	UNDER NOTES - NOTE FOR WIRE AMENDED			
5	REPLACED WITHOUT CHANGE			
6	REPLACED WITHOUT CHANGE			
7	REPLACED WITHOUT CHANGE			
8	REPLACED WITHOUT CHANGE			
9	REPLACED WITHOUT CHANGE			
10	REPLACED WITHOUT CHANGE			
11	REPLACED WITHOUT CHANGE			
12	REPLACED WITHOUT CHANGE			
13	REPLACED WITHOUT CHANGE			
14	REPLACED WITHOUT CHANGE			
15	REPLACED WITHOUT CHANGE			
16	REPLACED WITHOUT CHANGE			
17	REPLACED WITHOUT CHANGE			
18	REPLACED WITHOUT CHANGE			
19	REPLACED WITHOUT CHANGE			
20	REPLACED WITHOUT CHANGE			