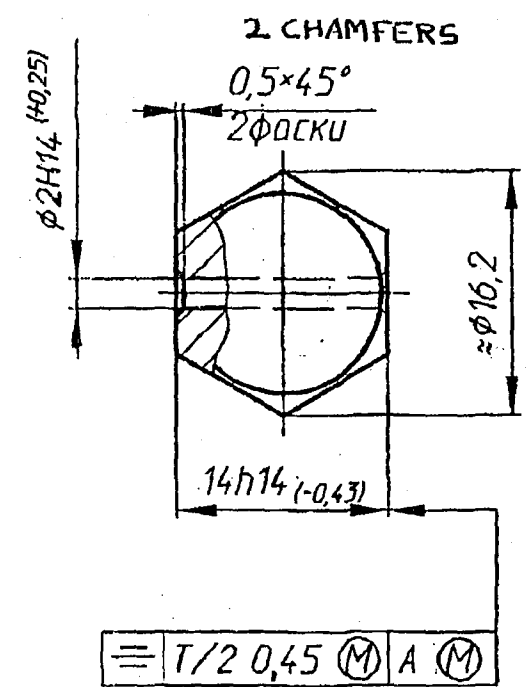
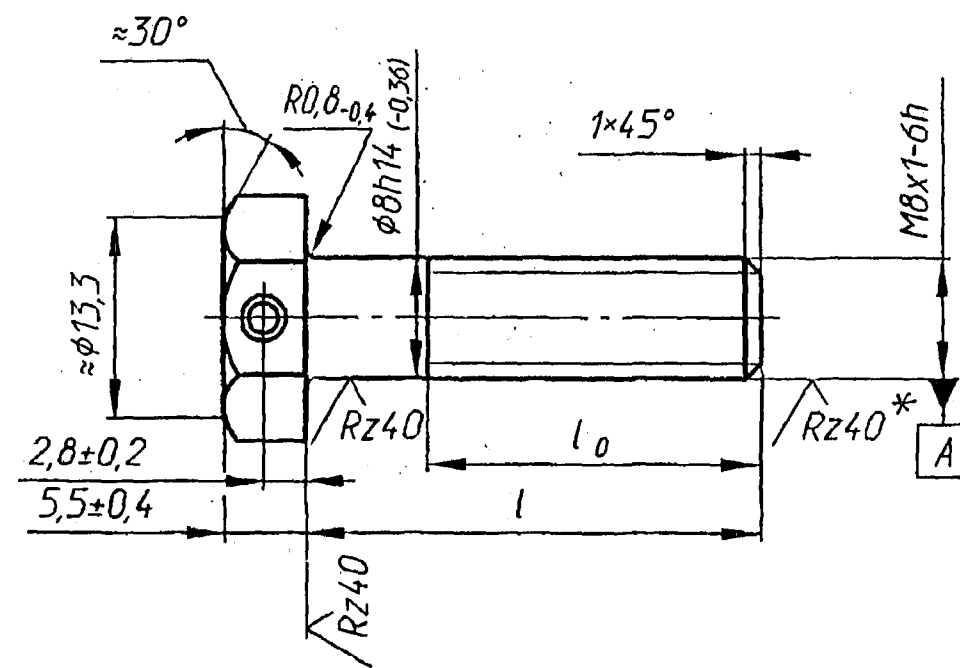


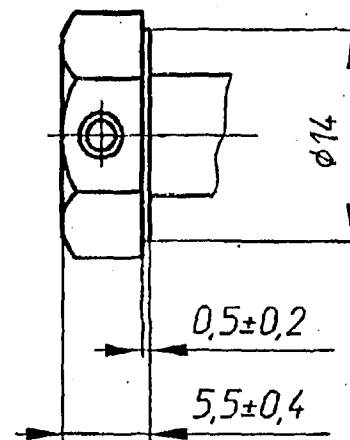
DRAWING NUMBER
520.01.002

SHEET No. 1 OF 1

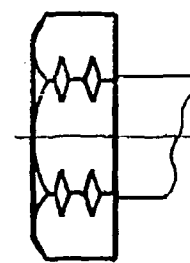
Rz80/✓(✓)



Вариант
ALTERNATIVE



ALTERNATIVE
FOR MARKING
Вариант
маркировки



1. Alternate material: Steel 40 GOST 1050-88 and Steel 20nc GOST 10702-78, except for bolts 520.01.002-02.
2. Bolt 520.01.002-02 is to be heat treated by BHN 255.... 302. Isothermal hardening BHN 311.... 415 is allowed.
3. Mark the bolt 520.01.002-02 by letter X on the face of head with type П0-5 GOST 2930-62.
4. When making thread by the method of rolling, unthreaded part of rod may be made along the pitch diameter of thread and chamfer at the end of rod is not to be made.
5. Coating Zn 6 Chromotizing.
6. * Surface finish is to be ensured by tool
7. Other requirements should be as per GOST 1759.0-87 and 520.TY1.

DESIGNATION Обозначение	l, MM		l ₀ , MM		MATERIAL Материал	WEIGHT kg Масса, kg
	NOMINAL НОМИН.	пред. откл.	NOMINAL НОМИН.	пред. откл.		
520.01.002	16	LIMIT DEVIATION ±0,8	16	LIMIT DEVIATION	STEEL GOST Сталь 20 ГОСТ 1050-88	0,0118
-01	18		18		STEEL GOST Сталь 20 ГОСТ 1050-88	0,0125
-02	18		18		STEEL GOST Сталь 38ХС ГОСТ 4543-71	0,0125
-03	20		20		STEEL GOST Сталь 20 ГОСТ 1050-88	0,0133
-04	25		25		STEEL GOST Сталь 20 ГОСТ 1050-88	0,0150

CQA(HV)5.70.136
CQA(HV)5.70.137 (B)

PILOT SAMPLE SHOULD BE APPROVED BY A H S P BEFORE BULK PRODUCTION.

EST. WT. (kg) TO BE STAMPED OR MARKED WHERE INDICATED THUS # (LETTERS)
SEE TABLE

ALL SHARP EDGES AND CORNERS TO BE REMOVED UNLESS OTHERWISE STATED MACHINED CORNERS TO HAVE R OUT-SIDE R INSIDE EQUIVALENT CHAMFERS ARE PERMISSIBLE.

DRN	Ч. Кустов	MATERIAL:-	USED ON:-
CHD	Гоусул	SEE TABLE	(7A) PV572.0725.0002
APPD	Chanchal	CONTROLLERATE OF QUALITY ASSURANCE (HEAVY VEHICLES) AVADI	
DATE	17-02-04	TITLE:- BOLT	
SCALE:-		D S CAT NUMBER	
DIMENSIONS IN mm		DRAWING NUMBER	
TOLERANCE ON DIMNS UNLESS OTHERWISE STATED IS: 2102-69		520.01.002	
7B 19.12.12 N OF A No.CQA(HV)/70/011			
7A 26.11.12 55150/CQA(HV)/DB/BLT T-72 Dt.19.07.11			
ISSUE DATE NATURE OF AMENDMENTS			

THE UNIVERSITY OF
MICHIGAN LIBRARY

1968

1968

1968