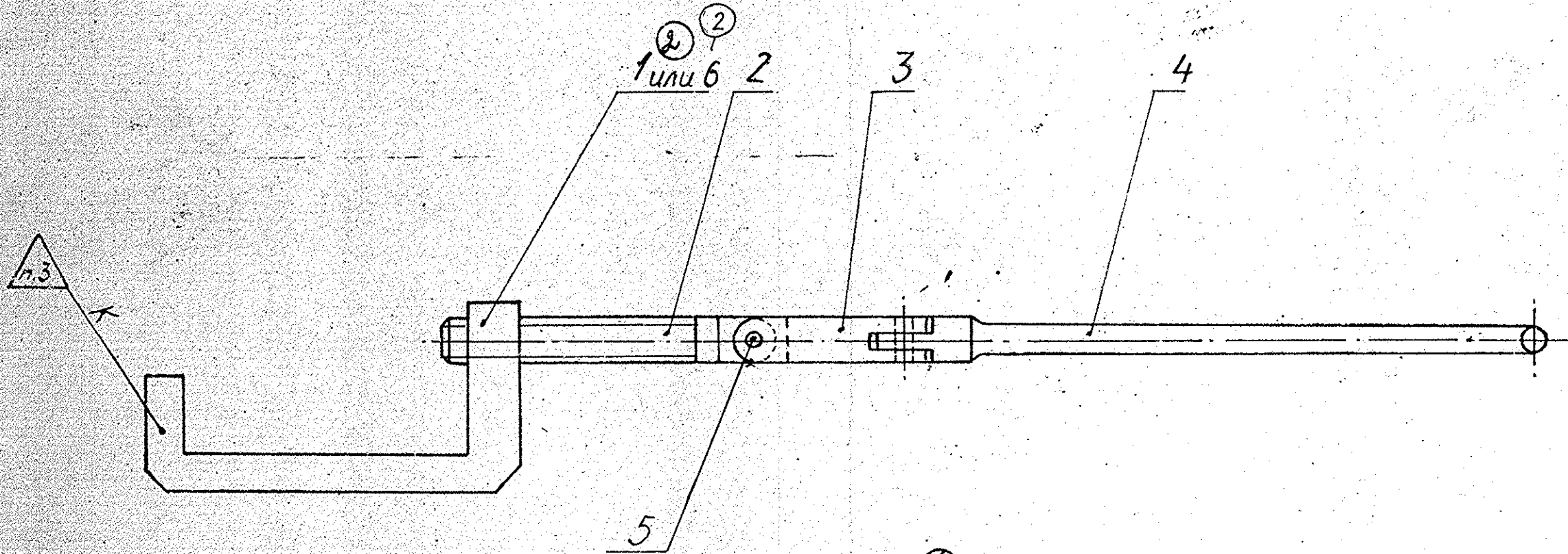


2A42.10.070CB

DS. CAT. NO. 5120-409093

①



- ① 1. Parts, Ref. Nos 2 and 4, should freely rock in part, Ref. No. 3.
- 2. Flatten part, Ref. No. 5, on both sides.
- 3. Stamp
- ② 1 or 6.

- ① Дет. поз. 2 и 4 должны свободно прокатываться в дет. поз. 3
- 2. Поз. 5 расклепать с 2-х сторон.
- 3. Клеймить

① Ref: SQACWJ Lr. NO. 1B1218 - SQAW  
 AUTHORITY :- DGRA-19 NO. SQAW/NI/02/2009  
 Dt. 16. JUN. 2009.

C 9070

SHt. No. 2 of 7 10/02236

19157-W	NOMEN. AMENDED & DS. CAT. No. ADDED.	07-05-09	①
18174-W	PROV SEALING CANCELLED AND DRG. SEALED.	22-9-95	
16407-W	DRG SEALED PROV.	20-2-86	

APPROVED	<i>[Signature]</i>	2A42.10.070CB	
CHECKED	<i>[Signature]</i>		
CONTROLLERATE OF QA(W) JABALPUR		FIXTURE FOR CONTACTOR REMOVAL ASSEMBLY DRAWING	WEIGHT SCALE 0.145 1:1
		PULLER MECHANICAL	SHT SHTS 1 DS. CAT. NO. 5120-409093