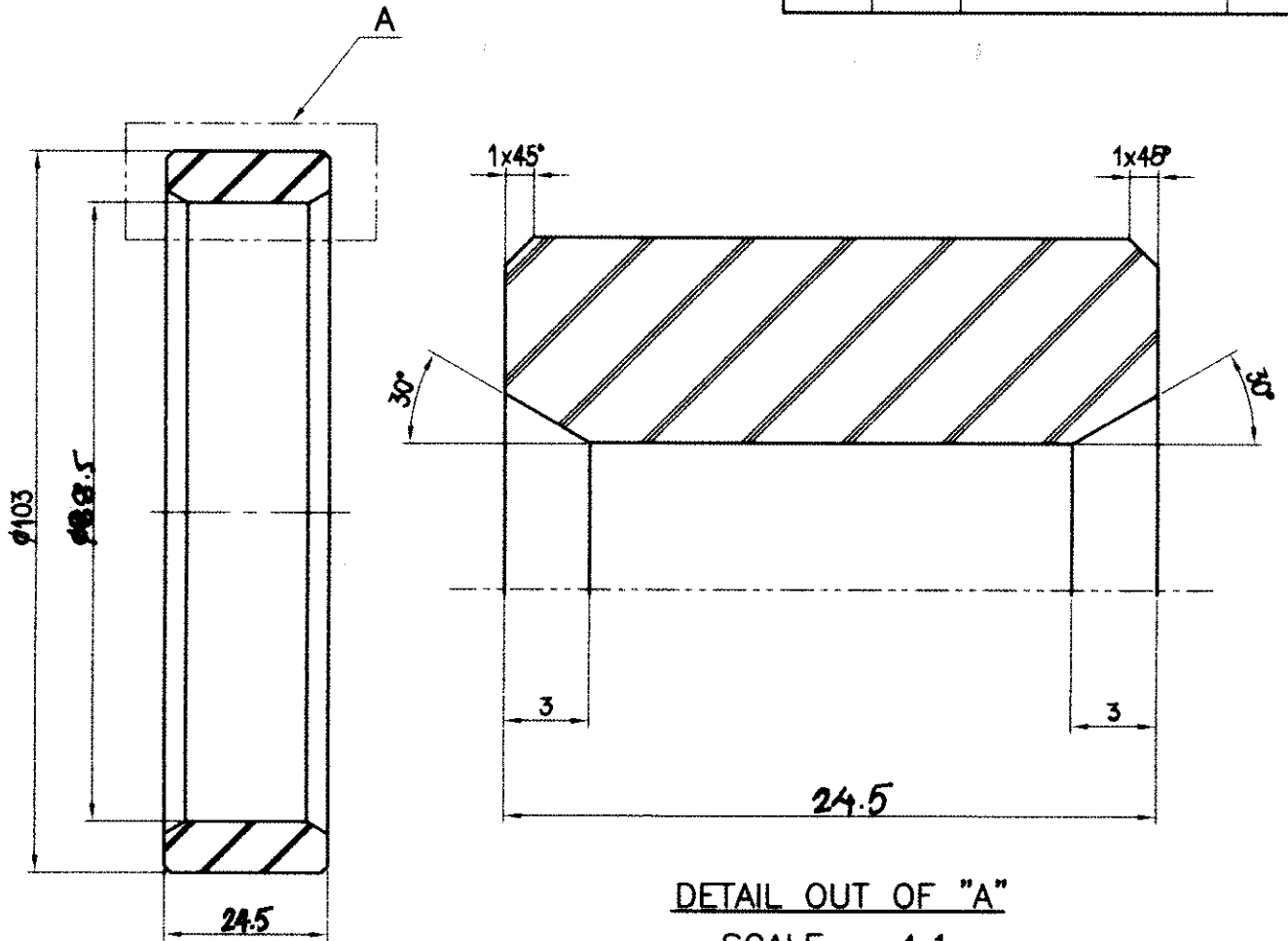


DRG.NO. **SM-1170**

AMENDMENTS

TOL. ON UNTOLERATED DIMENSIONS ARE AS PER
IS : 2102

REV	DATE	DESCRIPTION	SIGN



DETAIL OUT OF "A"
SCALE - 4:1

MATERIAL - RUBBER TO SPECN.
IND/ME/584(f)
CLASS OF RUBBER - E

DIMENSIONS ARE IN mm.			MATERIAL		आईजीएस फैक्टरी अम्बाझरी ORDNANCE FACTORY AMBAZHARI
THIRD ANGLE PROJECTION			AS ABOVE		
SCALE: 1:1 (4:1)			NOMENCLATURE		DRG. NO.
2009	NAME	DATE	THREAD PROTECTOR		SM-1170
DRAWN	M.D.Chaudhari				SHEET NO. - 1
TRACED					NO OF SHEETS - 1
CHECKED	<i>[Signature]</i>	31-10-09			OPERATION -
JWM/CDD	<i>[Signature]</i>	31/10	M/C -	COMPT.	SHELL BODY
APPVD.	Jt.GM SM	<i>[Signature]</i>	STORE:	125mm	