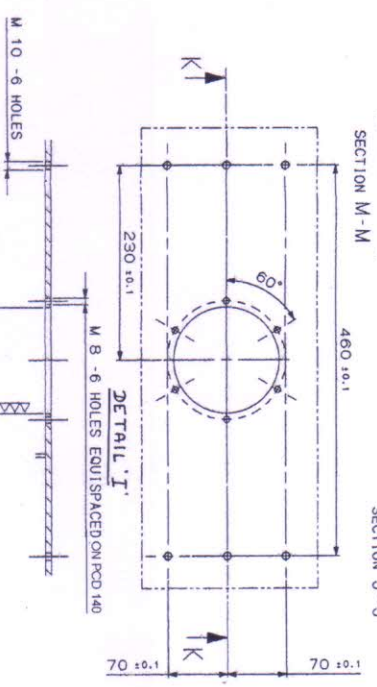
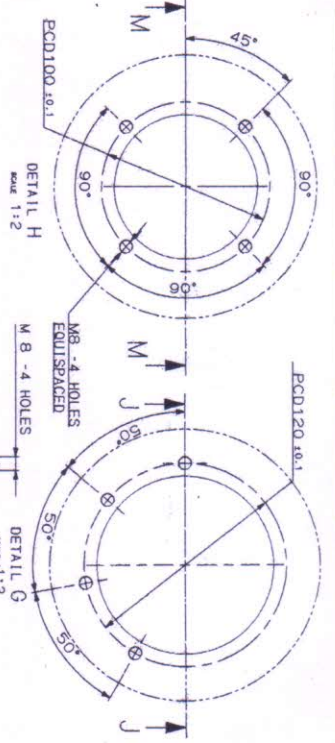
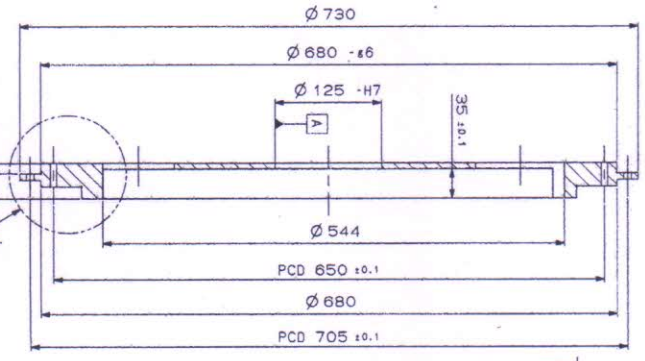
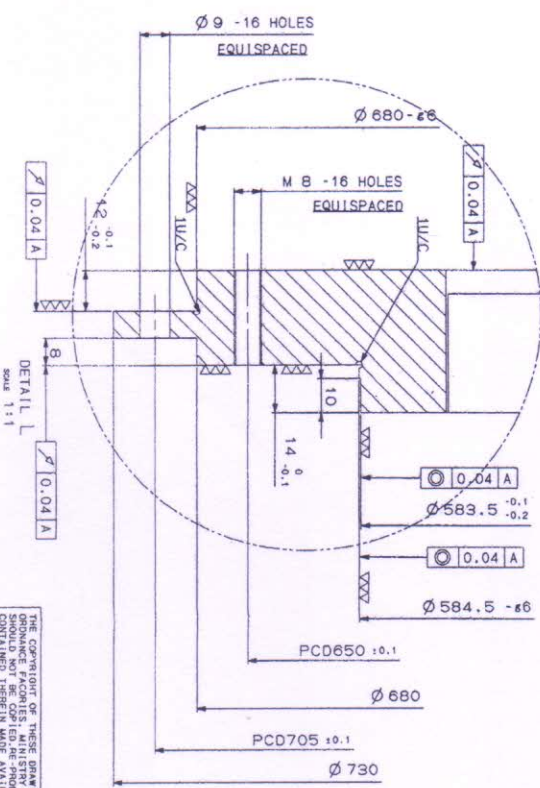
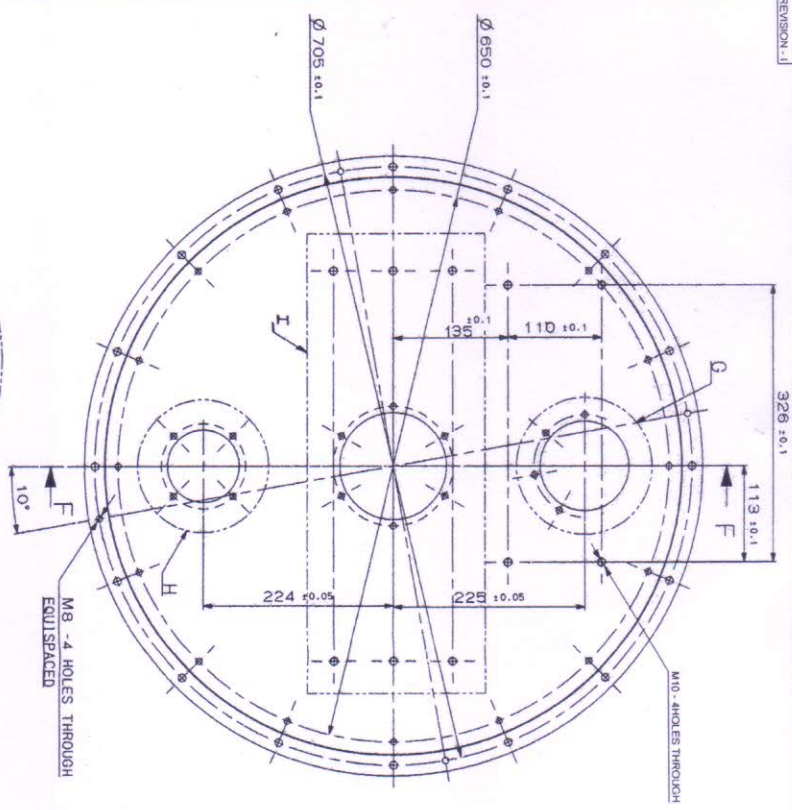


REVISION - I



PHOSPHATING TO BE DONE AS PER IS:3018 CLASS-A1

ALTERNATE MATERIAL :- EN-8 OR 080M40 BS:970 PART-1:1983

NOMINAL SIZE & FIT	DEVIATION
Ø 105 - H7	+0.035
Ø 85 - H7	+0.035
Ø 680 - ±6	-0.074
Ø 584.5 - ±6	-0.066
Ø 125 - H7	+0.040
	0

1	HOUSING SUPPORT	PART No.	40C8 1S:1517	MATERIAL	STANDARD	DIMENSIONS	REMARKS
<p>GENERAL TOLERANCE</p> <p>LINEAR DIMENSIONS</p> <p>ANGULAR DIMENSION</p> <p>SCALE 1:5</p> <p>DRAWN BY: [Signature]</p> <p>CHECKED BY: [Signature]</p> <p>DATE: [Date]</p>							

THE COPYRIGHT OF THESE DRAWINGS AND ATTACHMENTS TO THE INDIAN ORDNANCE FACTORIES, MINISTRY OF DEFENCE, GOVT. OF INDIA THEY ARE CONTAINED HEREIN MADE AVAILABLE TO UNAUTHORIZED PERSONS WITHOUT THE WRITTEN PERMISSION OF THE DIRECTOR OF ORDNANCE FACTORIES.

APPROVED