

POLY-NEG. PREPARED AT COA(I) DEHRA DUN
 PREPARED BY : *Pranav*
 CHECKED BY : *Pranav*
 DATE: 20.8.92

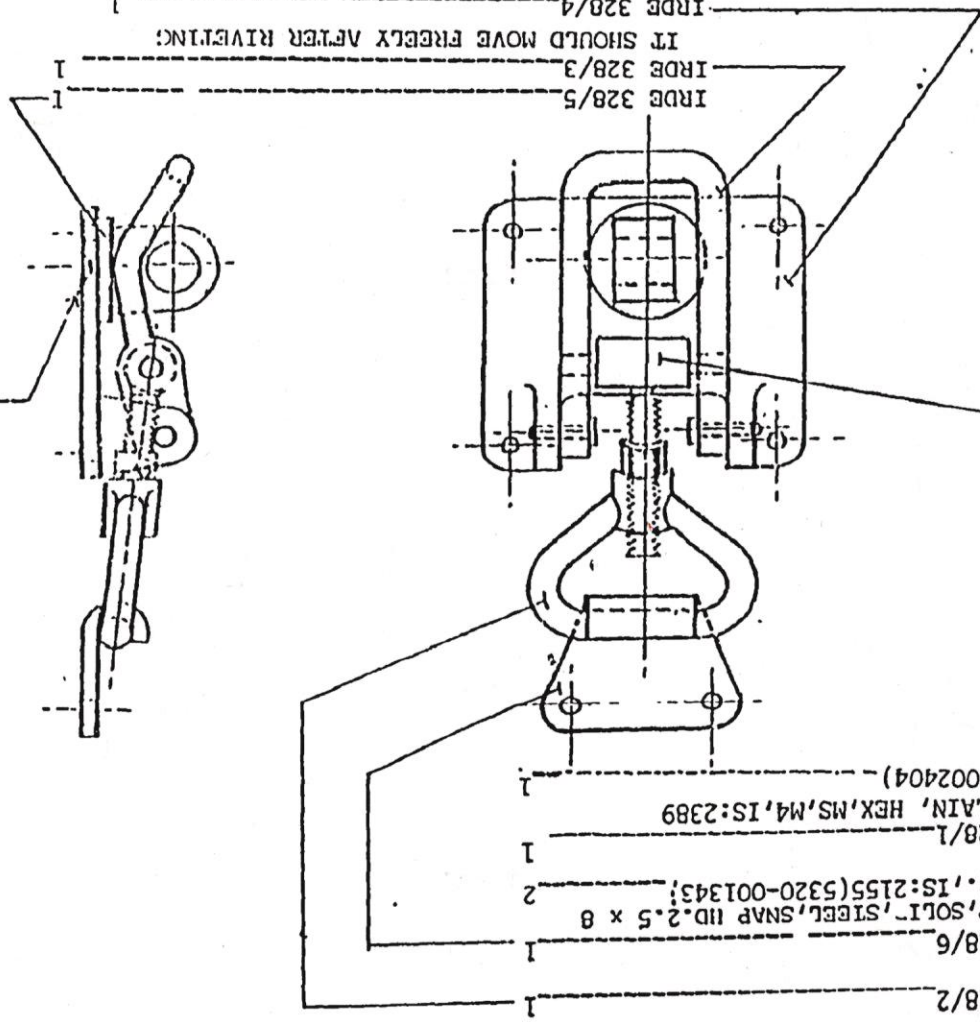
D.C.(I):-0630-I(P), 3113-I, 3165-I, 3418-I, 3777-I, 4736-I, 5563-I, 5760-I.

TITLE: FASTENER SET, TURN LOCK		SCALE	SH
FINISH & SPEC	SEE DETAILS	DRG No	IRDE-328
MATL & SPEC	SEE DETAILS	CAT/PI No	5325-000211
SYMB	AMENDMENTS	ON	BASD
		USED	ON
	D.C.-5760-I, POLY-NEG. PREPARED & NEW COPY SEALED IN REPLACEMENT OF EXISTING ONE.	CHD SIG	DATE
			3.9.92
		DRN	S41- APPROVED
		TCD	S41- FOR S41- CONTROLLER
		CHD	S41- COARD. DUN
		CHD	S41- DATE: 7.7.72

TO BE SECURED TO THE CASE BY MEANS OF WELDING OR RIVETING AS THE CASE MAY BE. LENGTH TO SUIT AS REQUIRED

NOTE:-

- 1 IRDE 328/4 RIVET, SOLID, STEEL, FLAT HD., 3x12 mm LG IS: 2155(5320-01342)
- 2 IRDE 328/3 RIVET, SOLID, STEEL, SNAP HD., 2.5x8 mm LG IS: 2155(5320-001343)



- 1 IRDE 328/2
- 1 IRDE 328/6 RIVET, SOLID, STEEL, SNAP HD. 2.5 x 8 mm LG, IS: 2155(5320-001343)
- 1 IRDE 328/1 NUT, PLAIN, HEX, MS, M4, IS: 2389 (5310-002404)

FOR EXPLANATION OF DIMENSIONING ETC, SEE COA(I) GUIDE No. 001-1992
 THIRD ANGLE PROJECTION. DIMENSIONS ARE IN mm

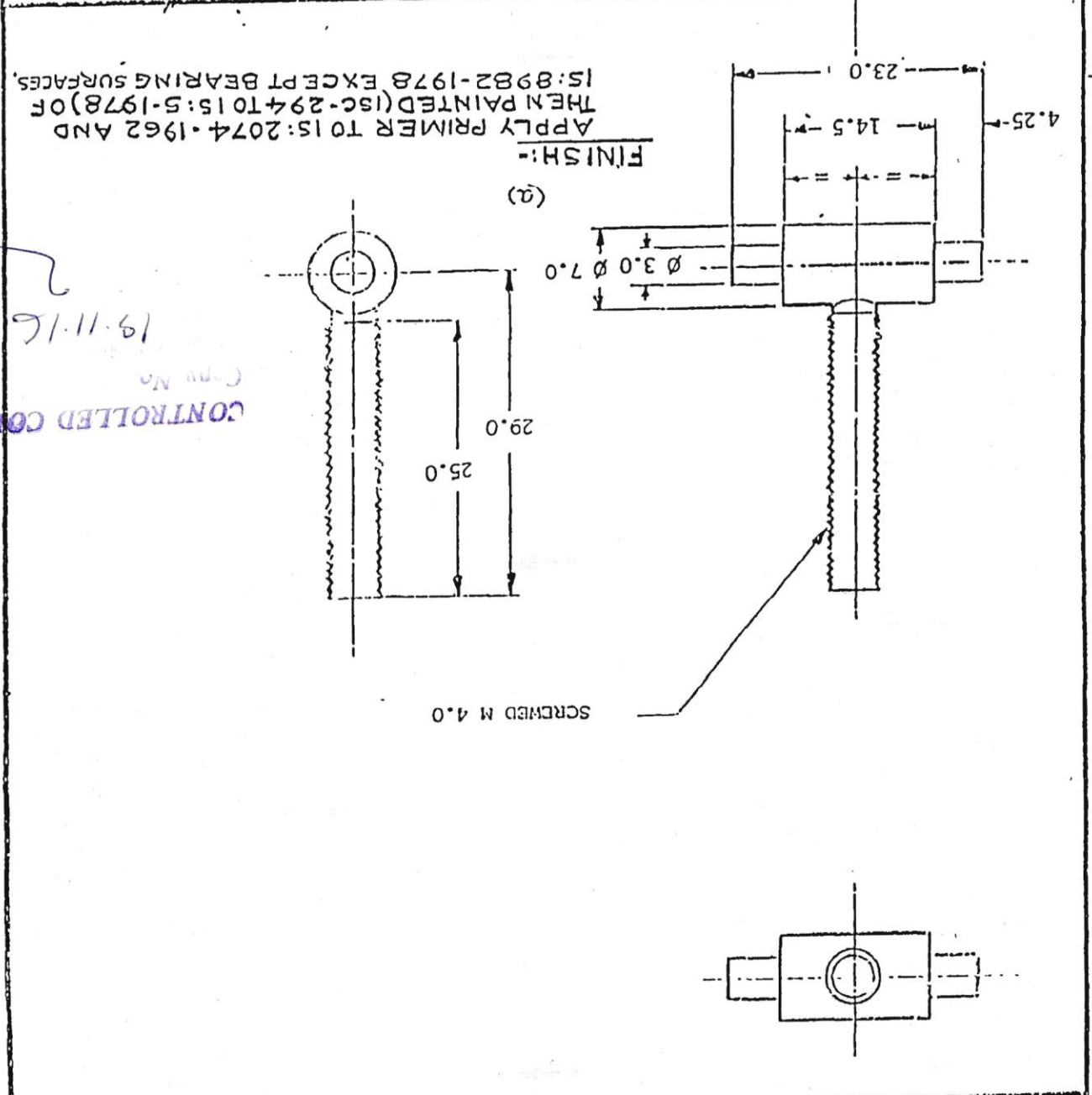
CONTROLLED COPY
 Copy No. 18.11.72

14

POLY. NEG, PREPARED AT COA(I) DEIRA EUN
 PREPARED BY : *Amr*
 CHECKED BY : *Abdullah*
 DATE: 20.8.93

D.C. (I)-0455-I(P), 2002-I, 2091-I, 3165-I, 3777-I, 5563-I, 5585-I, 5761-I, 5792-I.

TITLE: LEVER		FINISH & SPEC: STEEL CLASS-4 TO IS:1875-1978 SEE ABOVE.	
MATERIAL SPEC: STEEL IS:1875-1978 IV REVISION-STEEL-CLASS-4		AMENDMENTS	
SYMBOL		SYMBOL	
USED		USED	
CHD DATE		CHD DATE	
DRN		DRN	
TCD		TCD	
CHD		CHD	
Sd/-		Sd/-	
APPROVED		APPROVED	
FOR Sd/-		FOR Sd/-	
CONTROLLER		CONTROLLER	
COA(D) DUN		COA(D) DUN	
DATE: 5-6-69		DATE: 5-6-69	
SCALE		SCALE	
DRG No		DRG No	
IRDE - 328/1		IRDE - 328/1	
SH OF		SH OF	



FOR EXPLANATION OF DIMENSIONING ETC, SEE COA(I) GUIDE No. 001-1992.
 THIRD ANGLE PROJECTION.
 DIMENSIONS ARE IN mm

CONTROLLED COPY
 19-11-16

10