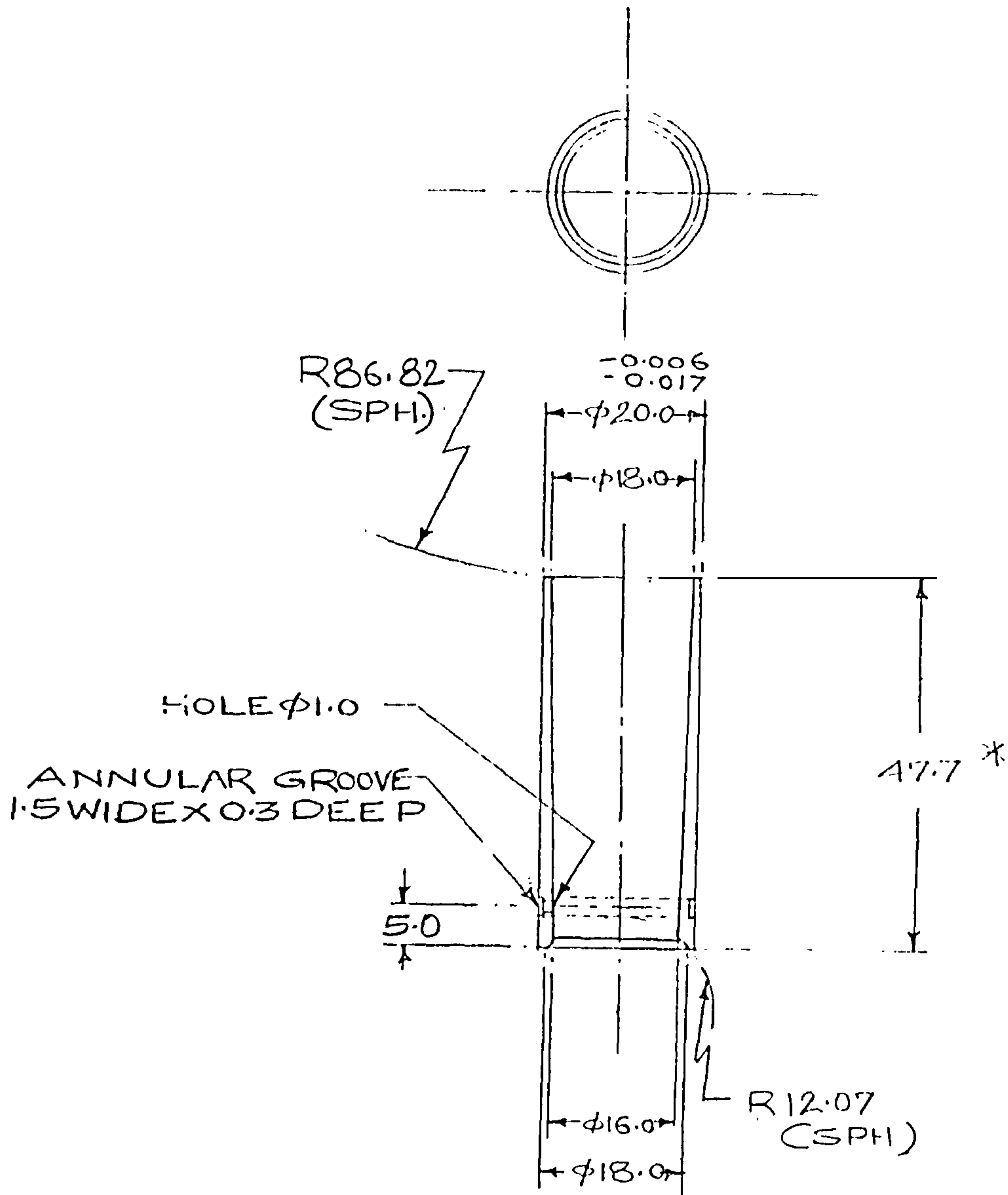


FOR EXPLANATION OF DIMENSIONING Etc. SEE IRDE NOTE SHEET No. 1  
THIRD ANGLE PROJECTION DIMENSIONS ARE IN MILLIMETRES.



D.C:- 2041-I(P), 6503-I, 7206-I.

\* 0.09 MATL. KEPT MORE FOR ADJUSTMENT ON ASSY.

					DRN	<i>[Signature]</i>	APPROVED <i>[Signature]</i> for DIRECTOR IRDE, Dehra Dun
					TRCD		
(b)	D.C:- 7206-I. MATL & FINISH AMENDED	<i>[Signature]</i>	16.8.18	CHKD	<i>[Signature]</i>		
	D.C:- 6503-I:- DRG. SEALED.	<i>[Signature]</i>	10.7.01	CHKD	<i>[Signature]</i>		Date 14-2-94
(a)	D.C:- 2041-I(P):-NOM. AMEDED, CAT/PT. No: ADDED & DRG. PROV. SEALED.	<i>[Signature]</i>	3.12.96				
SYM	AMENDMENTS	CHKD	SIG	DATE			
MATL & SPECN	AL. ALLOY TUBE IS: 738-1994 DESIG. 24345, CONDITION T4						
FINISH	ANODISED BLACK DULL AC-15 IS: 1262-1996.				CAT PT. No	1240-002655	(a)
TITLE	SPACER, OPTICAL ELEMENT				DRG. No.	IRDE 2603/4.	
					SCALE	1:1	SH - OF