

4 3 2 1

F F

E E

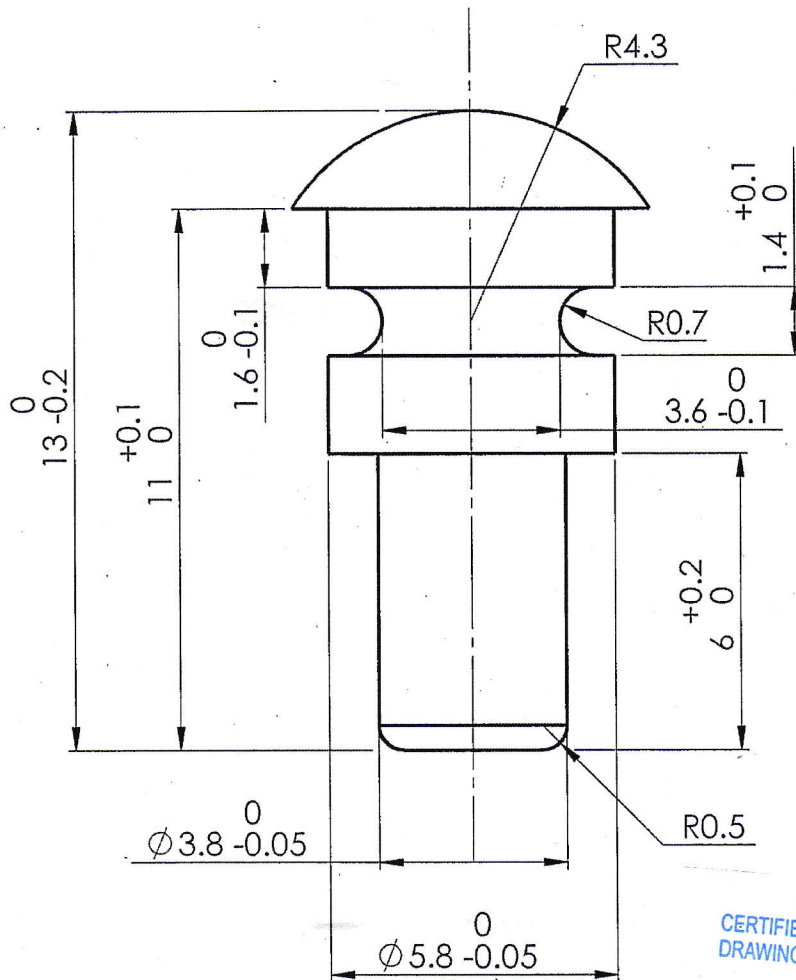
Re

D D

C C

B B

A A



UN CONTROLLED COPY
CERTIFIED CORRECT COPY OF APPROVED
DRAWINGS AT THIS DATE

DESIGN & DRAWING OFFICE,
ORDNANCE FACTORY, TIRUCHIRAPPALI-620 016

[Handwritten signature]
30/8/24

MIM 4605 Composition

Element	C	Mn	Si	Ni	Mo	Cr	S	P
Min	0.3	-	-	1.5	-	-	-	-
Max	0.6	0.5	0.5	2.5	0.5	0.5	0.05	0.05

Material: MIM-4605		DWG Details		SUB: PIVOT PIN			
	3rd Angle	SIGN	DATE.	FOR: Receiver Assy.			Do not scale Drawing
Alt. Material:	DRAWN	<i>[Signature]</i>		PROJ.: TAR 7.62 mm			All Dimensions are in mm
	CHECKED			Design Ref K-4009			
Hardness: 400-450 HV	HOS/D&DO	<i>[Signature]</i>		DWG. No.: MIM-K-4009-00		A4	QPG - 1
	DO/Prodn						
Finish: Manganese Phosphated	DO/QC			ORDNANCE FACTORY TIRUCHIRAPPALI-16.			Wt. 11.76 gm (Appx)
	DO/DDO	<i>[Signature]</i>	07/24				
Un tollerated dimensions IS:2102 Medium							SHEET: 1 OF 1