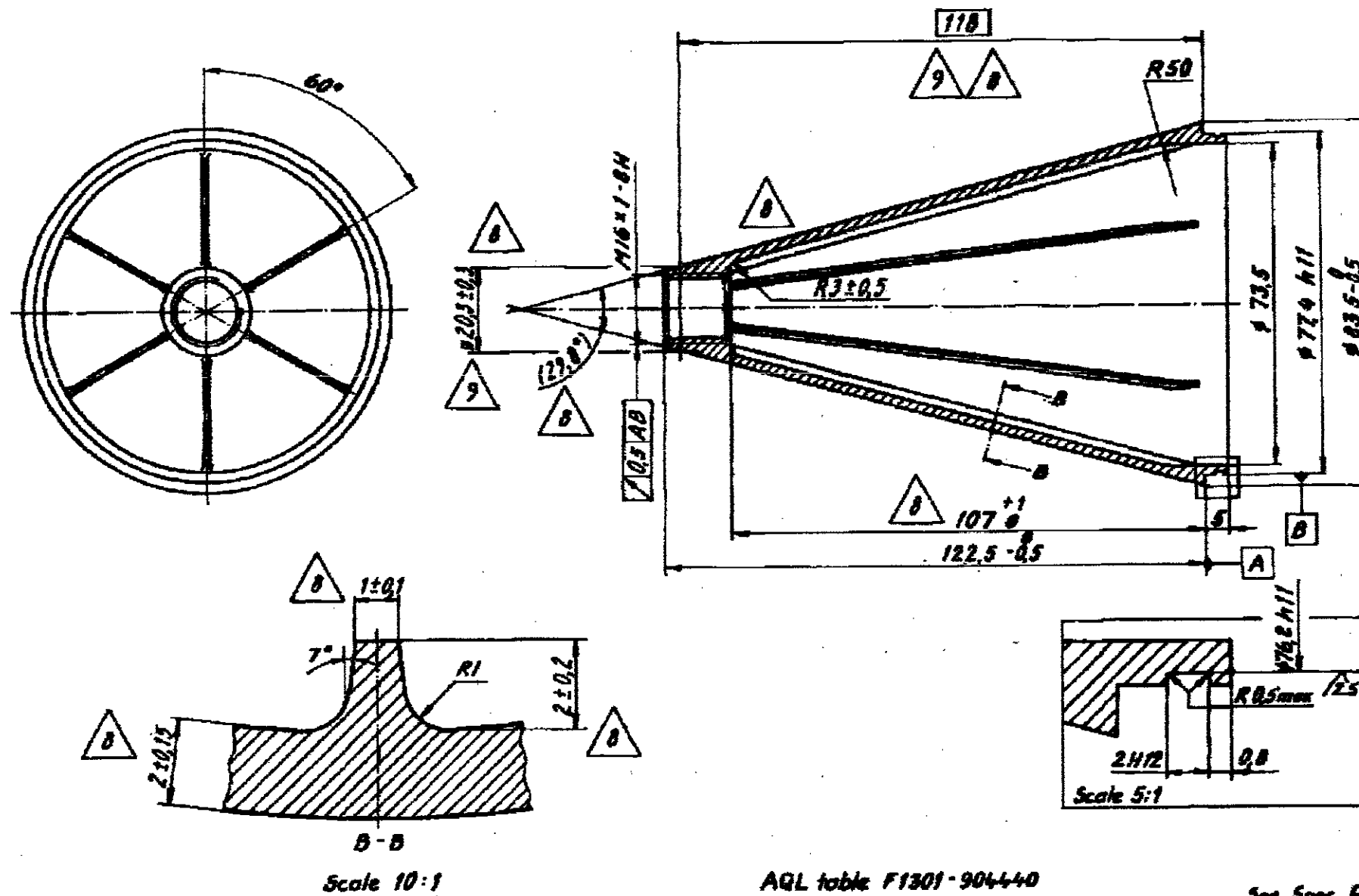


DRG NO: FS-2771 C

AMENDMENTS

REV	DATE	DESCRIPTION	SIGN
A	05-03-08	MATE. & ITS DESIGNATION ADDED AS MENTIONED IN DOCUMENT NO. 0808500 (SEE ADV. TO 'A')	[Signature]
B	12-6-11	MATERIAL PROPERTY ADDED.	[Signature]
C 2B 2014	29/1/14	NEW NEGATIVE MADE	-sd- Sr.DIR/ODC

Allt oberoendigt utnyttjande av denna handling behövs enligt lag.



INTERN

\* POLYAMIDE "ZYTEL 70GB40 HSL, BLACK"

PROPERTY	METHOD ISO	UNIT	REQUIREMENT
DENSITY	R1183	g/cm <sup>3</sup>	1.46
TENSILE STRENGTH	R527	MN/m <sup>2</sup>	90
ELONGATION ON RUPTURE	R527	%	3
E-MODULUS	R178	MN/m <sup>2</sup>	4900

MATERIAL:  
\* POLYAMIDE TO DESIGNATION ZYTEL 70GB40 HSL AS PER DOCUMENT NO 0808500

AQL table F1301-904440

See Spec. F1301-905060

Det	Antal	Benämning/Beskrivning	Ritning/Referens	Material/Omrigt
<p>Skilj på om det gäller: <math>\frac{1}{2}</math> eller <math>\frac{1}{10}</math> (applicerbart <math>\pm 0,1</math>)</p>				
Kj	B-HL	Material	LR	Registrerat
69-09-09			69-09-17	
<p><b>FFV</b> Ballistic Cap (IN) 5 209 543</p>				<p>INTERN Pågående Nej</p>

DRAWN	[Signature]
CHECKED	[Signature]
HOS/CDD	29/01/14
APPROVED BY	[Signature]
Sr.DIR/ODC	
DRAWING NO: FS-2771 C	SHEET NO 1/1
ऑर्डनेस फैक्टरी अम्बाझरी ORDNANCE FACTORY AMBAJHARI	

F1301-060802K

9	-	AD. 39059591. F3; D5	940614	JF	[Signature]
8	-	AD. 39058986. 2F3; E5; E4; D5; D3; C7; C6; 2C5. Tol. added	940322	JF	[Signature]
H	?	E7	98-03-15	JF	[Signature]
G	-	Translated from Swedish	98-12-09	[Signature]	[Signature]
Utg. No	Ändr. nr	Plats på ritning/Beskrivning	Datum	Utförd	Granskad/Godk.