

D S CAT NO.

5120-003114

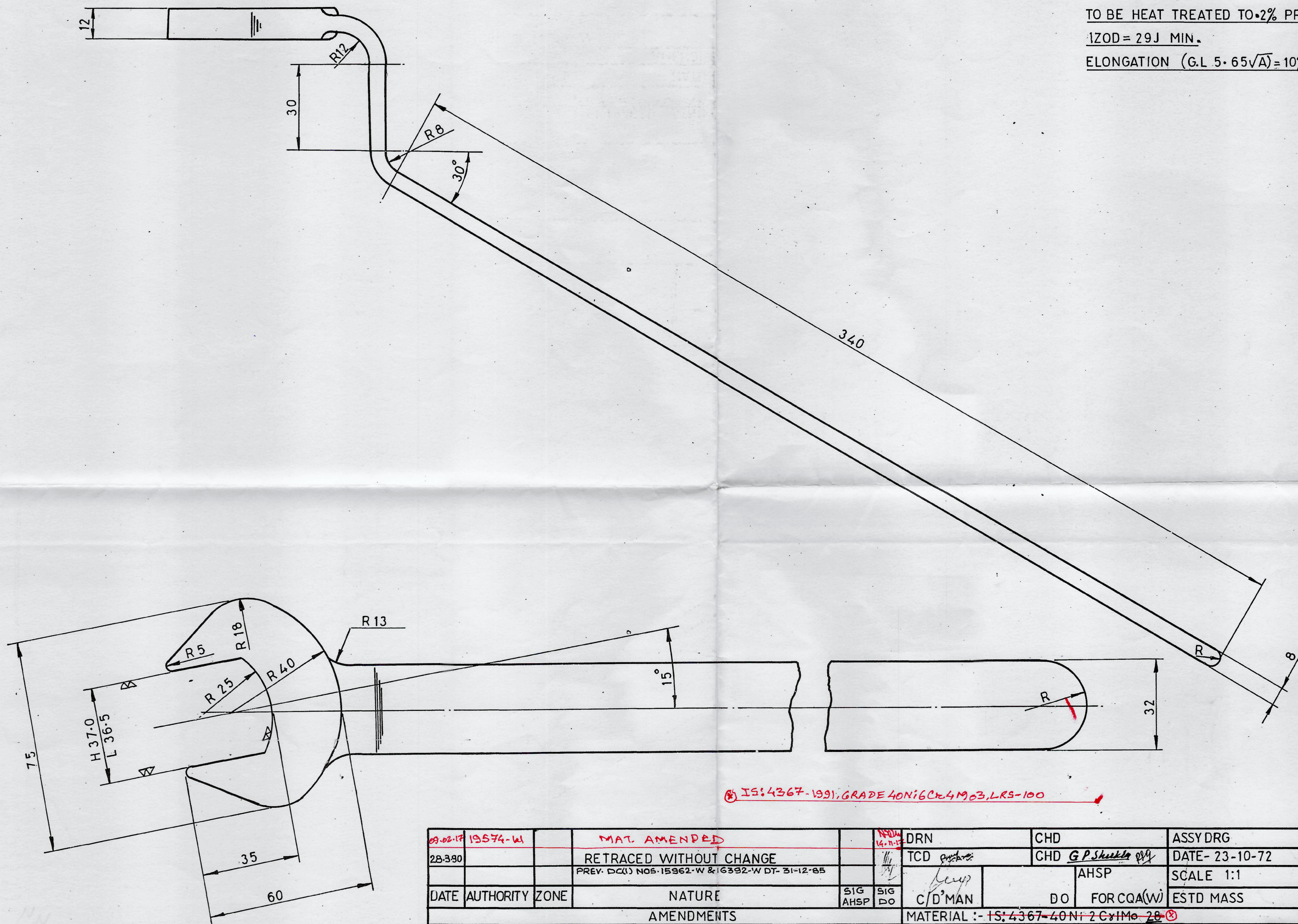
FOR EXPLANATION OF DIMENSIONING ETC, SEE ARDE NOTE SHT.NO-1
DIMNS. ARE IN MM UNLESS OTHERWISE STATED

NOTE :-

TO BE HEAT TREATED TO 2% PROOF STRESS=921MPa MIN.

IZOD = 29J MIN.

ELONGATION (G.L 5.65√A) = 10% MIN.



IS: 4367-1991, GRADE 40Ni6Cr4Mo3, LRS-100

28-390	19574-W	MAT. AMENDED	DRN	CHD	ASSY DRG	CQA(W) JABALPUR
		RETRACED WITHOUT CHANGE	TCD	CHD G.P. Shukla	DATE- 23-10-72	
		PREV. DC(1) NOS-15962-W & 16392-W DT- 31-12-85		AHSP	SCALE 1:1	
DATE	AUTHORITY	ZONE	NATURE	SIG AHSP	SIG DO	
AMENDMENTS			MATERIAL :- IS: 4367-40Ni 2CrMo-28			DESIGN NO.
DRG SEALED 16392-W 31-12-85			PROTECTIVE FINISH TO BE PHOSPHATED TO SPEC. WPN /			D6P-TA-7143
			GEN/ 3 CLASS II TYPE 13 (j)			PART NO.
SPANNER, 35A						ICM 1594
						D S CAT NO.
						5120-003114