

D.S. CAT. 1005-000823
NO.

FOR EXPLANATION SEE D.D. NOTE SHEET NO. 3
DIMNS. ARE IN mm. TOL. ±0.127 UNLESS OTHERWISE STATED

ALL SHARP CORNERS TO BE REMOVED.

FIGURE TO BE ENGRAVED 0.5 DEEP

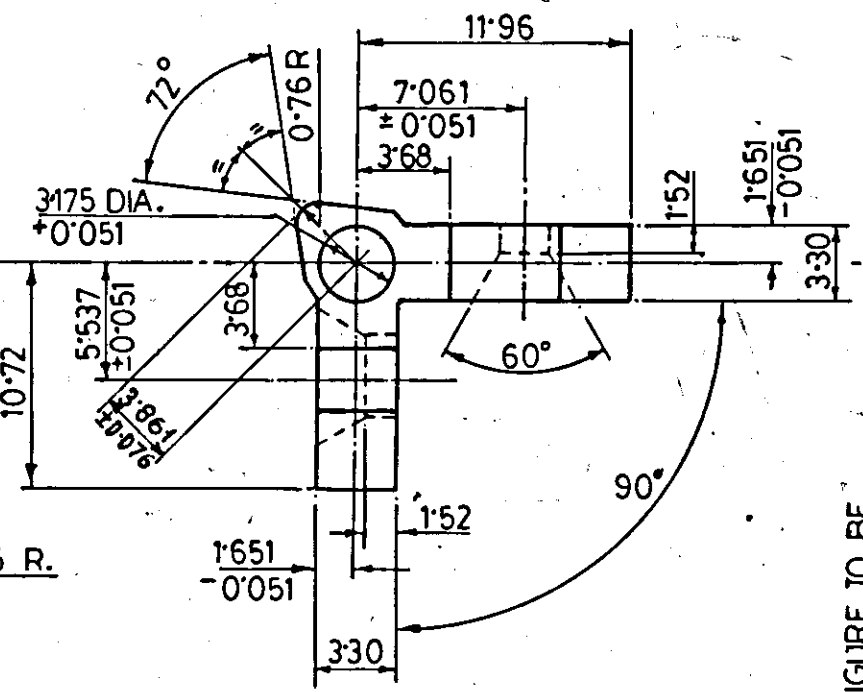
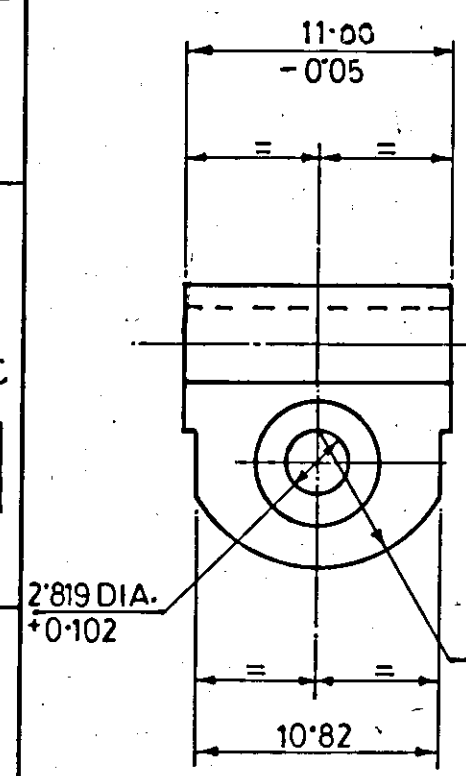
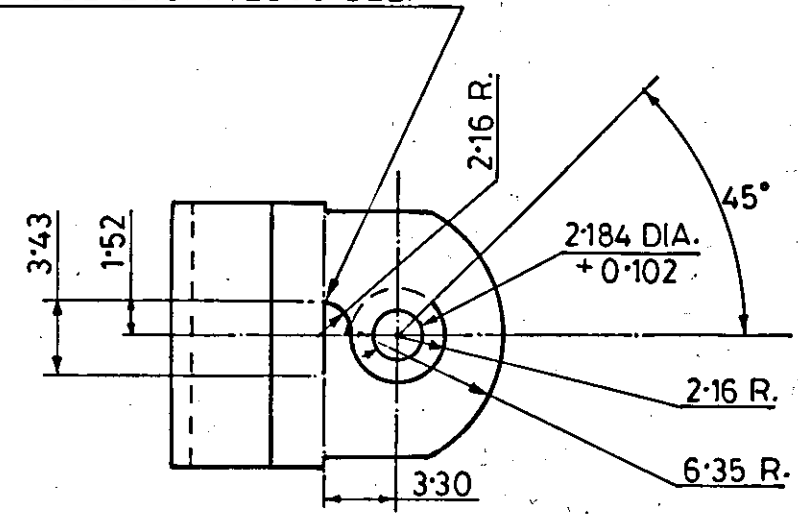
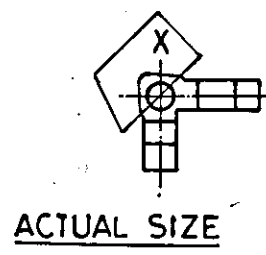
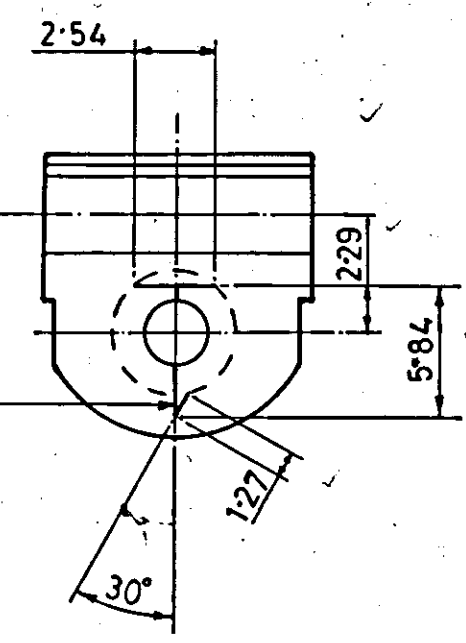


FIGURE TO BE ENGRAVED 0.5 DEEP



METRIC

06-0499		24314-SA	PROFORMA CHANGED, NEGATIVE RE-TRACED AND RE-SEALED.	DATE		AUTHY.		BRIEF RECORD		ZONE		COPY COPY		I/C; D.O.		G O		SIGN.		DRN.	CHD.	TRD. <i>perman</i>	COMP. <i>Mbamani</i>	AHSP CQA(SA) ICHAPUR	
06-0499		24314-SA	PREVIOUS D.C. Nos. 14091-SA, 16411-SA, 17431-SA, 22463-SA, 22728-SA.	06-04-99		Aula		1/C: D; O		NEG. RE-TRACED		BS: 970 PT. I: 1983 Gr. 070 M 55 OR IS: 1875-1971 Gr 5 (% C-55, % Mn-75)		HRD. & TEMP AT AREA MARKED 'X' TO 500-600 HV (49-55 HRC)		PHOSPHATE TO SPECN. JSS: 0465-01: 1988 CLASS II (ACCELERATED), OIL FINISH.		EST. MASS: - 5 GRAMS		APPROVED. DT. 14.4.67		ASSY. 1005-000822		DGNR'S REF SN 1200/18	
SEALING		D.C. No. 14091-SA, DT. 1-10-74		DATE		AUTHY.		BRIEF RECORD		ZONE		COPY COPY		I/C; D.O.		G O		SIGN.		H.T./HARDNESS		PROTECTIVE FINISH		PART NO.	
NOMENCLATURE		BACK SIGHT		DATE		AUTHY.		BRIEF RECORD		ZONE		COPY COPY		I/C; D.O.		G O		SIGN.		H.T./HARDNESS		PROTECTIVE FINISH		DRG. NO.	
NOMENCLATURE		BACK SIGHT		DATE		AUTHY.		BRIEF RECORD		ZONE		COPY COPY		I/C; D.O.		G O		SIGN.		H.T./HARDNESS		PROTECTIVE FINISH		D.S. CAT. - 1005-000823 NO.	