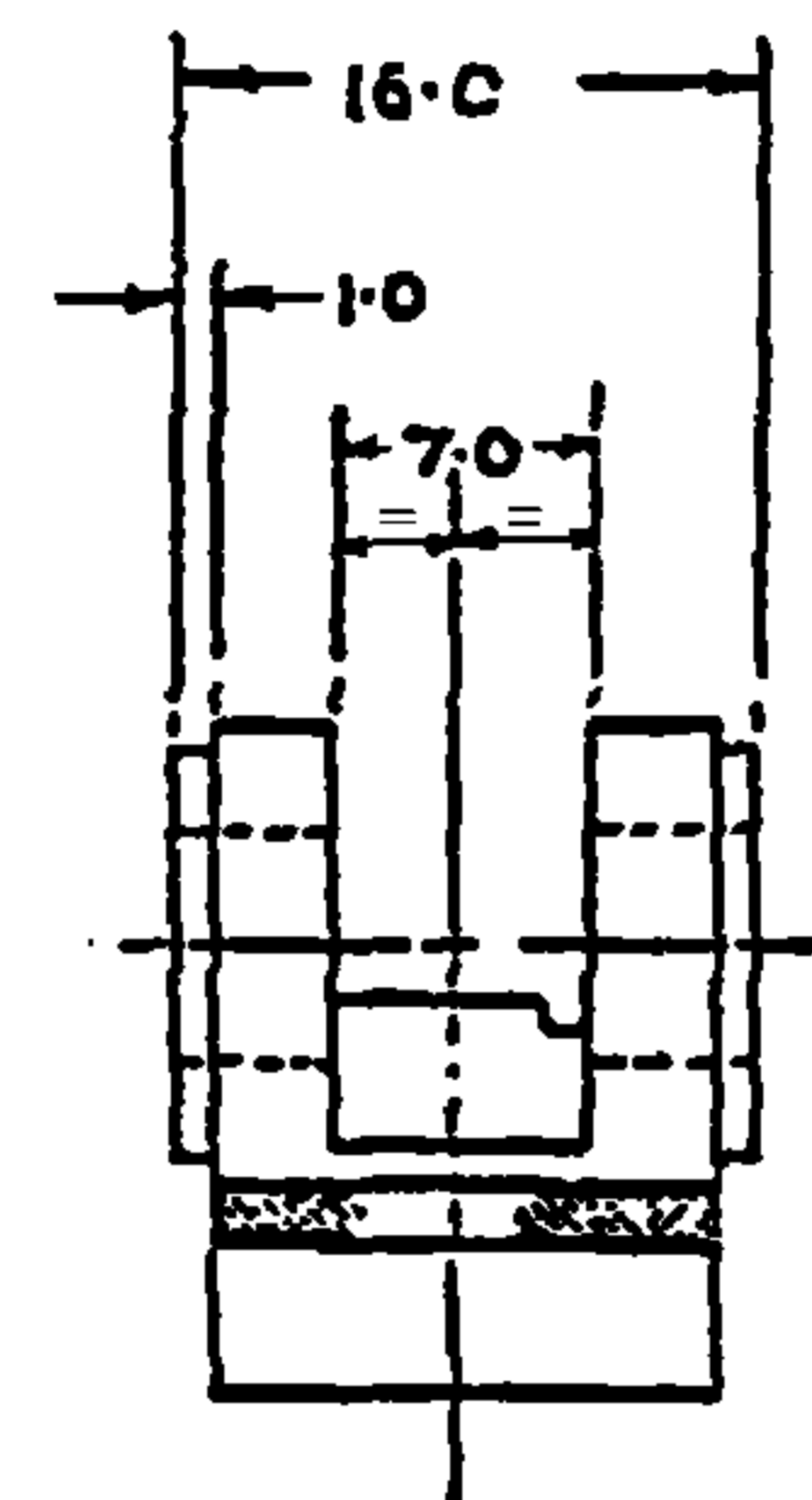
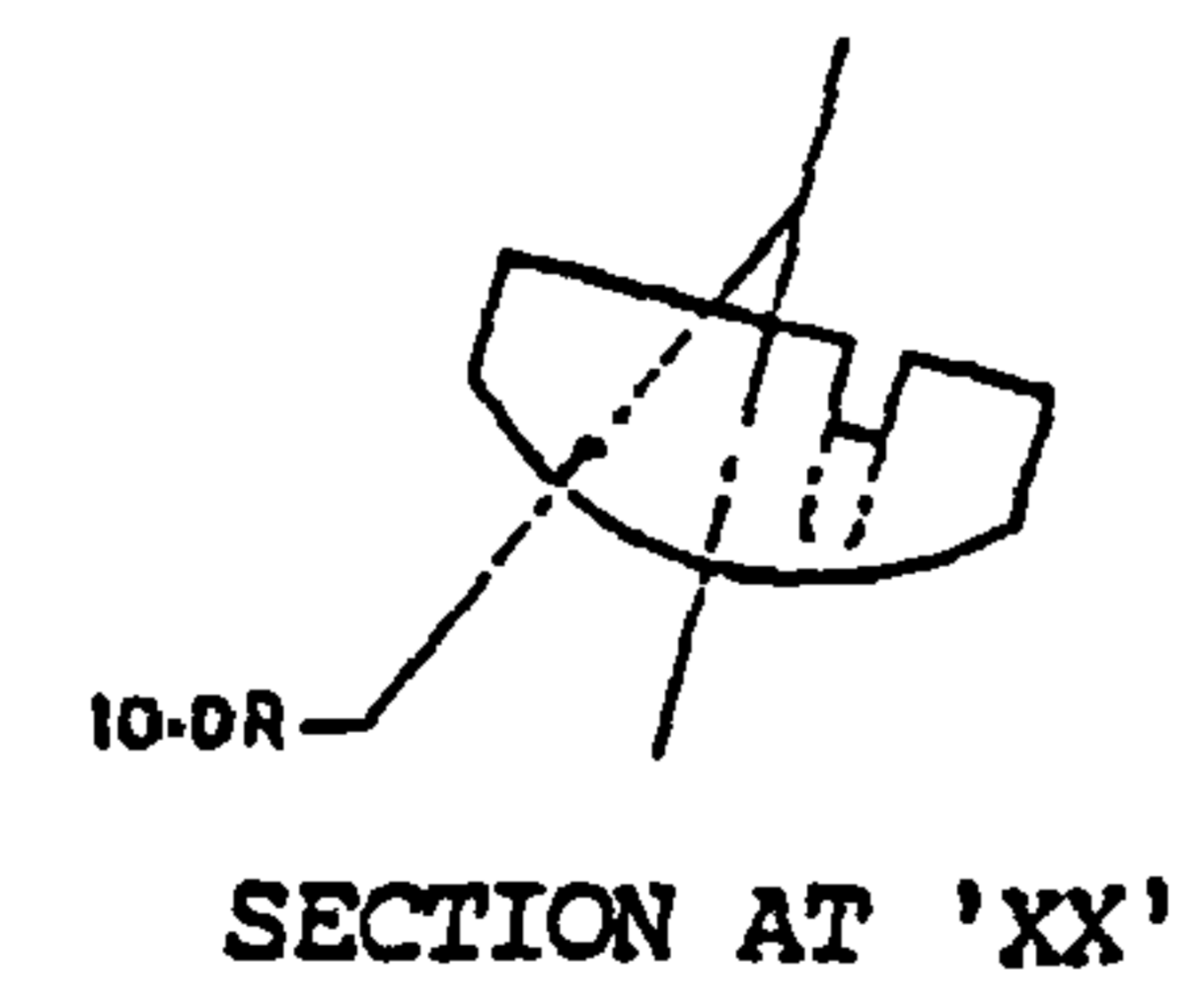
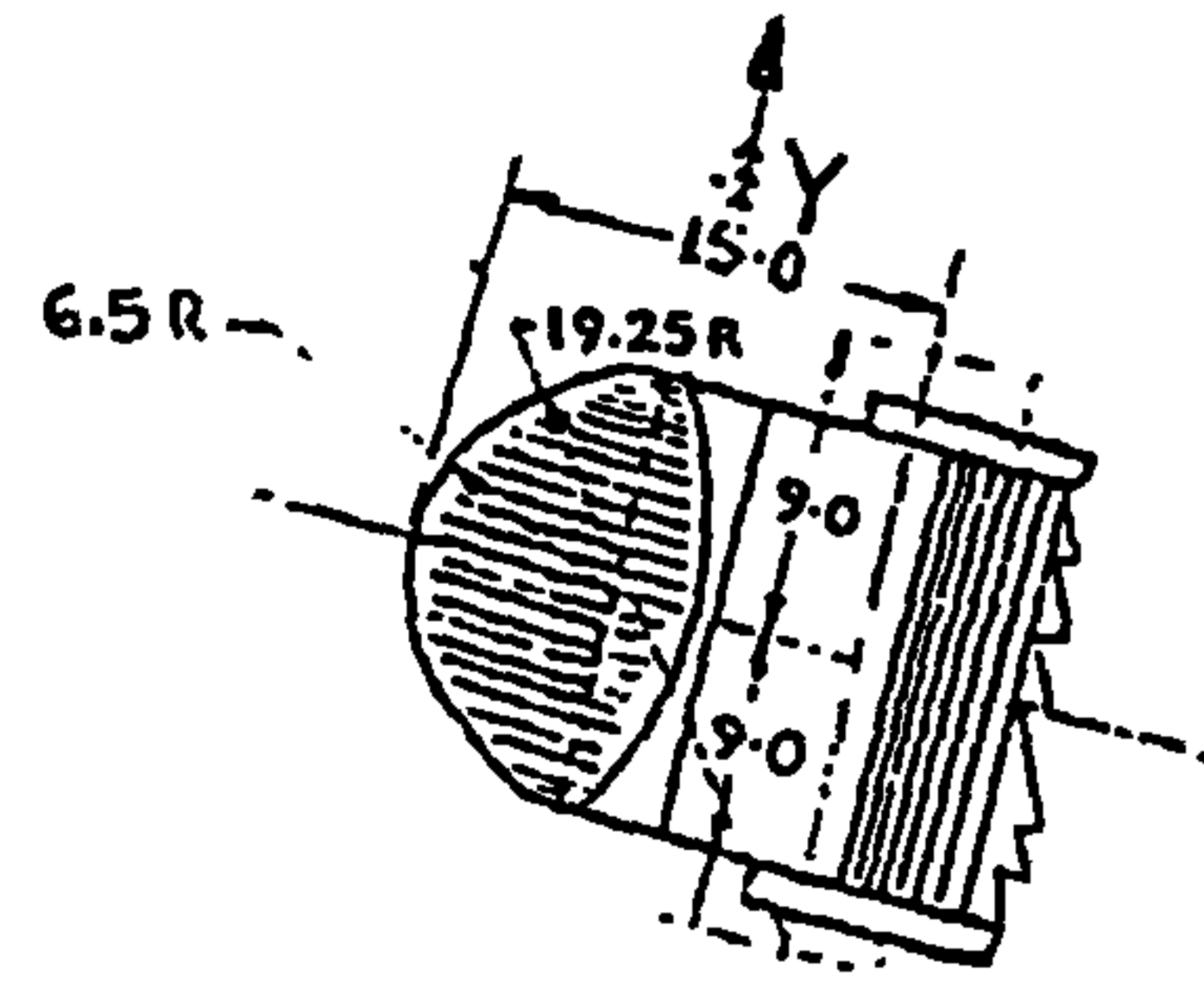
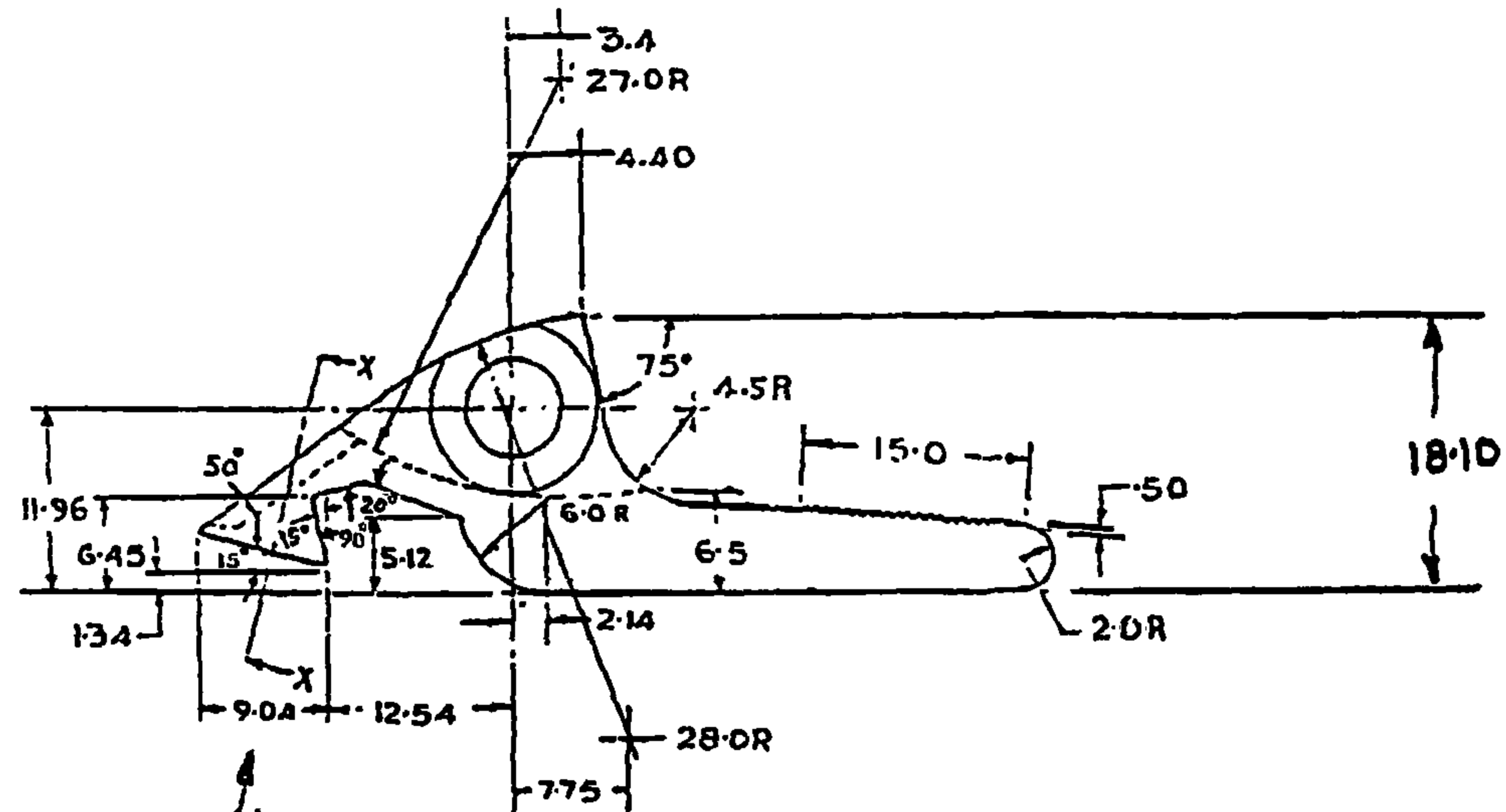
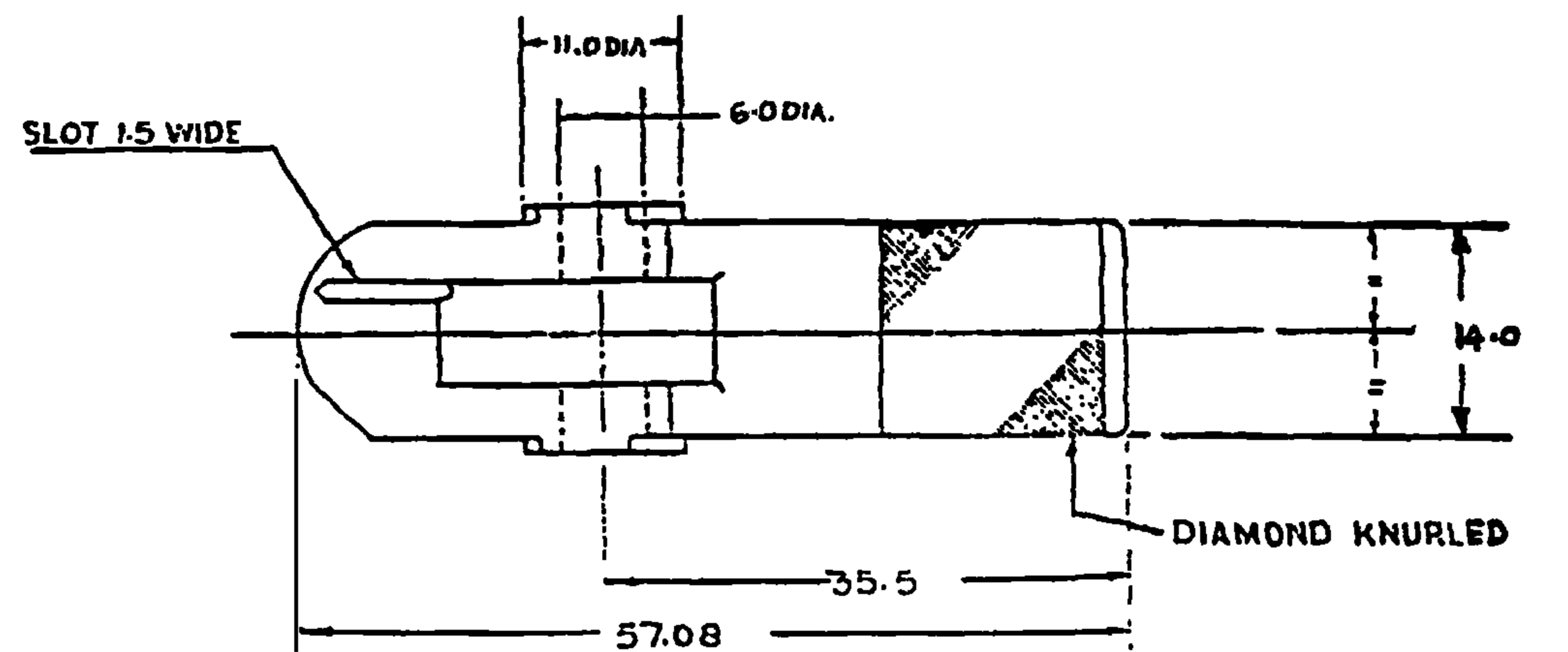


D.C. (I) :- 0120-I(P), 1677-I, 2084-I, 2242-I, 3097-I, 5786-I, 6268-I, 6312-I, 6386-I.

REDUCED DRG: PREPARED AT COA (I) DEIRA DUN
 PREPARED BY : 22/15/80
 CHECKED BY : *[Signature]* DATE: 22.9.83



TITLE:-

LEVER

SYM	AMENDMENTS	CHD	SIG	DATE
	D.C. 5786-I DRG. REDUCED & NEW COPY SEALED IN SUPERSESSION OF EXISTING ONE	WS	W	4.11.93
(a)	D.C. 6268-I: - MATL. & FINISH AMENDED.	W	W	13.7.98
	D.C. 6312-I: - DRG. ENDORSED "OBSCULESCENT."	W	W	14.12.98
	D.C. 6386-I: - "OBSCULESCENT" CANCELLED.	W	W	23.6.99

FOR EXPLANATION OF DIMENSIONING ETC, SEE COA (I) GUIDE No 001-1992. THIRD ANGLE PROJECTION. DIMENSIONS ARE IN mm	DRN	sd	APPROVED FOR sd- CONTROLLER COA (I) D.DUN DATE: 12.1.65
	TCD	sd	
	CHD	sd	
	CHD	sd	
MATL & SPEC:- BRASS GdeHT 2M OF IS: 320-1980	USED ON		
	BASED ON		
	CAT/PT No	1240-000355	
FINISH & SPEC:- DULL BLACK BRONZED TO IS: 410-1977.	DRG No	CII -125	
	SCALE	: SH OF	