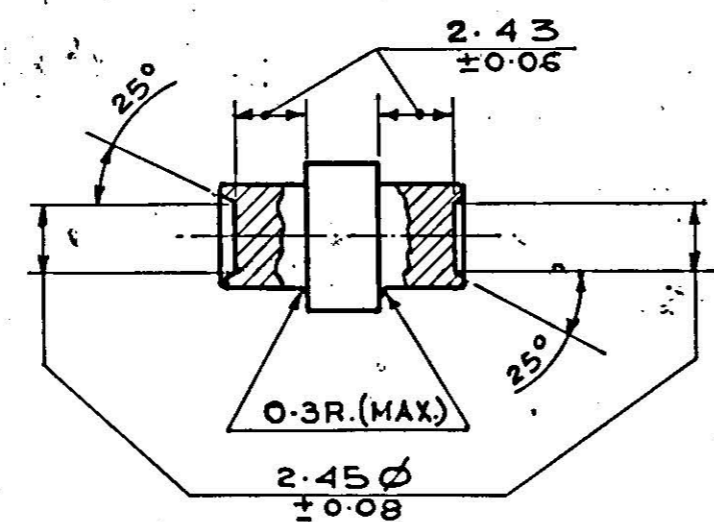
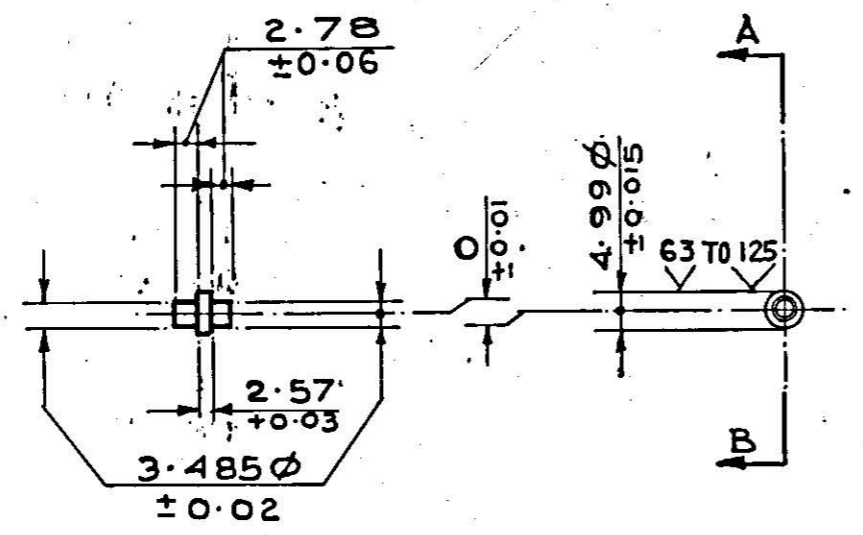


1005-006821

D.S.CAT. NO.


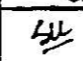
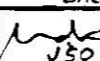


PARTIAL SECTION AB  
SCALE:- 4:1

DIMNS. ARE IN mm.

NOTE :-  
ACCEPTANCE STANDARDS FOR MACRO ETCH TEST AND MICROSCOPIC DETERMINATION OF NON-METALLIC INCLUSIONS FOR STEEL.  
i) MACRO ETCH TEST AS PER ASTM E 301 WITH ACCEPTANCE STANDARD AS C2, R2, S2.  
ii) NMIR TEST AS PER IS: 4163 - 82.

250

DC No. 27019-SA, DT. 28-01-2017 : MATERIAL AMENDED				DRN.	CHD	TRD	SKETCH	COMP.	Blaney	ASSY.	1005-006870 & 1005-006636
RECORD OF RECEIPT CANCELLED AND DRG. SEALED AFRESH.				SCALE :- 1:1 & 4:1		MFG/INSP. INSTRUCTIONS		EST. MASS			
13.04.2002.	25328-SA	RECORD OF RECEIPT CANCELLED AND DRG. SEALED AFRESH.		<i>Shetty</i> DT. I/C, D.O.		APPROVED		NEG. RE-TRACED		AHSP	CQA(SA), ICHAPUR
23-8-95	23060-SA	DIMN. 0.3 R.(MAX) WAS 2 (0.3), NEG. RE-TRACED AND DRG. RE-SEALED AS A RECORD OF RECEIPT. PREVIOUS D.C. NOS. 15550-SA, 18057-SA, 19721-SA, 19868-SA, 21286-SA, 21670-SA, 21775-SA & 22278-SA	C-3	 CD		 DAC		MATERIAL.		DG NR'S REF.	
				COPY		IS: 5517-1993 DESIGNATION SSC8		H.T./HARDNESS		PART NO.	2065E
DATE AUTHY.	BRIEF RECORD		ZONE.	I/C; D.O.	G.O.	210 - 250 HB		PROTECTIVE FINISH		DRG. NO.	A 2319
SEALED:- DC: NO. 25328-SA. - DT. 13.04.2002.				SIGN.		PHOSPHATE TO SPECN. ISS: 0465:01-1988 CLASS II, OIL FINISH.		D.S.CAT. NO.		1005-006821	
NOMENCLATURE				LINK CROSS PIECE (SHORT)							