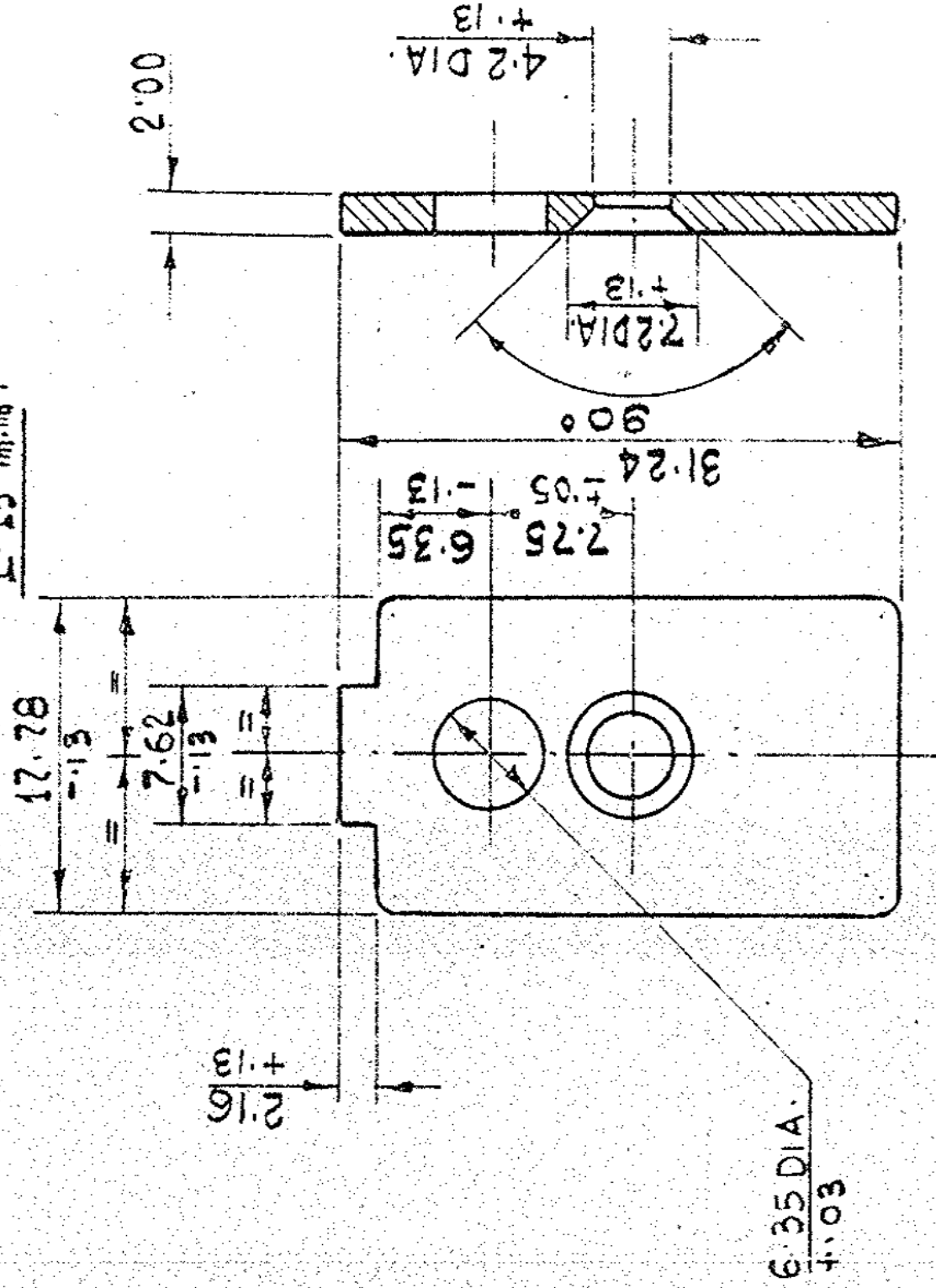


NOTE:-

WHERE TOLERANCES ARE NOT SHOWN
 DIMENSIONS IN WHOLE NUMBER ± 1.27 mm.
 DIMENSIONS WITH ONE DECIMAL PLACE ± 0.4 mm.
 DIMENSIONS WITH TWO DECIMAL PLACES
 ± 0.13 mm.



~~MATERIAL:-~~

~~STEEL BS 1449 PT 38 CS 4~~

ALT. MATERIAL:-

STEEL IS: 4030 TEMPER 1,20R3

MATERIAL:-

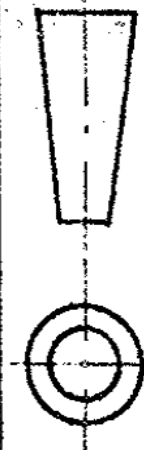
STEEL IS: 513-1986 TEMPER DESIG-
 NATION HARD, HALF HARD OR QUARTER
 HARD GRADE DD OR BS:1449:
 PT.I: 1983 CS 3/CS 4.

22078 -SA 17852 -SA	5-12-92	MATERIAL AMENDED. DRG. RE-SEALED PROV. IN REPLACEMENT	MAJOR SSO
	9.4.84	CL. NEG. PREPARED	SSO
		PREVIOUS DCD NO. 14621-SA. 15115-SA, 17383-SA	COPL
AUTHY. DATE	ZONE	BRIEF RECORD	SIG.
		DGN.	DATE NAME
		DRN.	
		CHD.	
		TRD.	Paris
		COMP.	AKSen
TPW 1/C, D.O.			
SCALE: 2:1			
SEALED:- PROV. D(1) 14621-SA, DT. 19-4-76			

ASSY: 1005-005712

CIS(A) ICHAPUR

MATERIAL:- AS STATED



DIMENSIONS ARE IN MILLIMETRES

APPROVED DT. 30-12-75

CL. NEG. PREPARED

DESIGNERS REF

CISA 448

DS. CAT. NO.

1005-005712

PLATE PISTOL

GRIP

(PLASTIC)