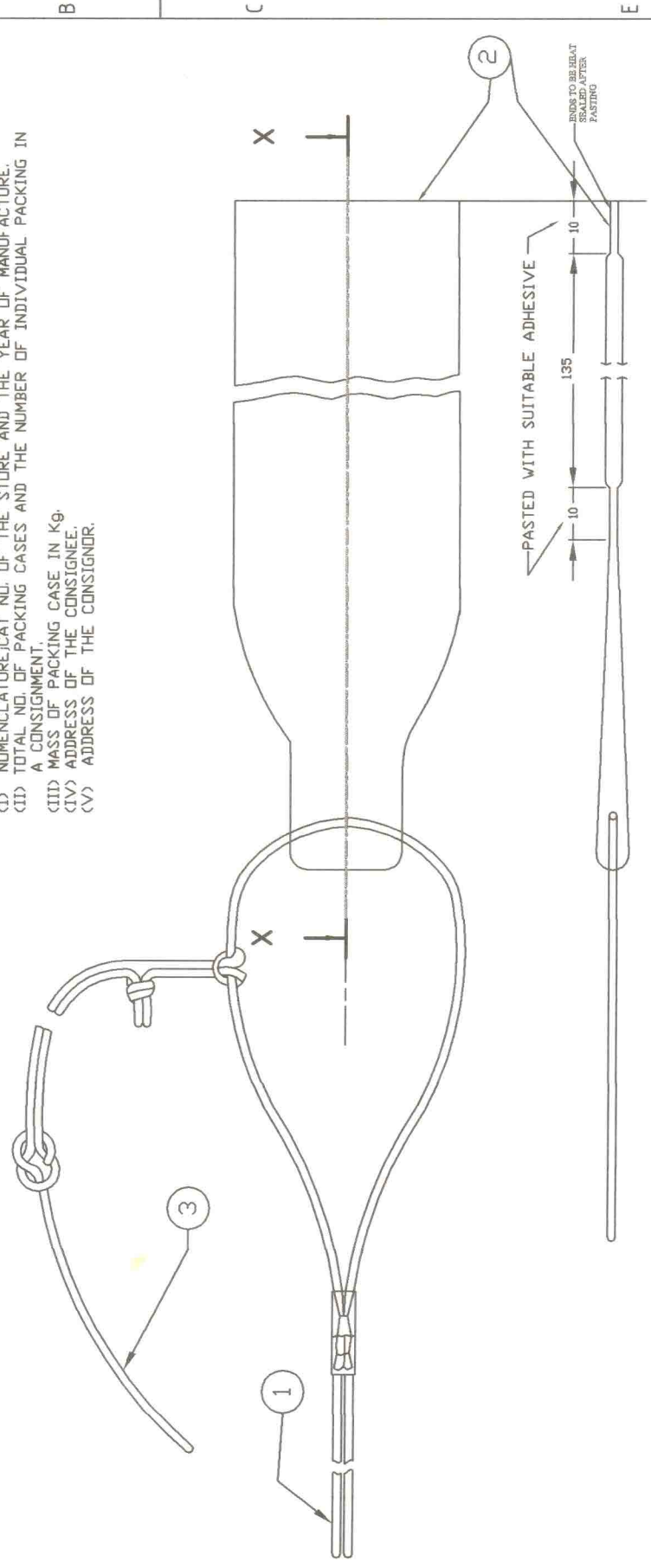


DIMNS ARE IN mm UNLESS OTHERWISE STATED
GEN TOL:- AS SPECIFIED IN DRG.

PACKING--EACH NYLON RIPCORD FITTED WITH PIN SHALL BE WRAPPED IN TISSUE PAPER AND 20 NOS. THUS WRAPPED BE PACKED IN A SUITABLE CARTON 10 SUCH CARTON SHALL BE PACKED IN A.C.W.P.(DULY LINED WITH A PAPER PACKING WATERPROOF) ONE SAMPLE IN EACH CARTON SHALL BE IDENTIFIED BY A LABEL SHOWING NOMENCLATURE,CAT NO. OF THE STORE AND THE TRADE MARK INITIALS OF THE MANUFACTURE AND THE YEAR OF MANUFACTURE.

EACH CARTON SHALL BE MARKED WITH THE INITIALS OF THE MANUFACTURE BEFORE DESPATCH EACH PACKING CASE SHALL BE LEGIBLY AND INDELIBLY MARKED WITH THE FOLLOWING DETAILS :-

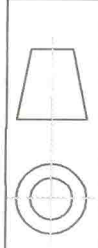
(I) NOMENCLATURE,CAT NO. OF THE STORE AND THE YEAR OF MANUFACTURE.
 (II) TOTAL NO. OF PACKING CASES AND THE NUMBER OF INDIVIDUAL PACKING IN A CONSIGNMENT.
 (III) MASS OF PACKING CASE IN Kg
 (IV) ADDRESS OF THE CONSIGNEE.
 (V) ADDRESS OF THE CONSIGNOR.



ASSEMBLY X-X

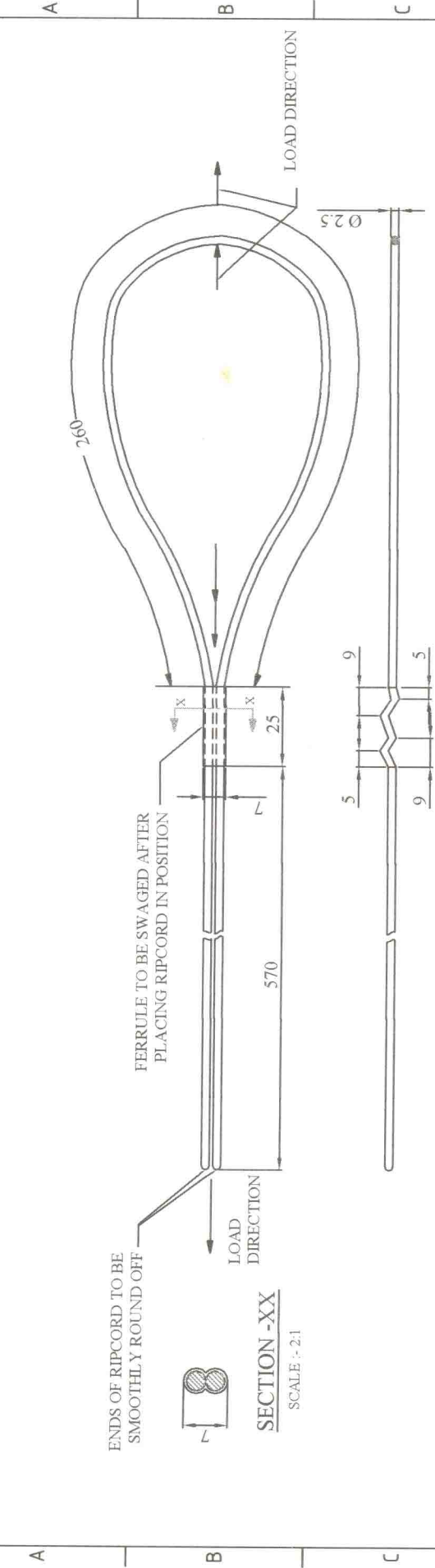
DETAIL NO.	SHEET NO.	NOMENCLATURE	NO. OFF
3	4	PIN	1
2	3	FLAG	1
1	2	NYLON RIP CORD	1
-	1	ASSEMBLY & PACKING CLAUSE	-

DRAWN	NAME	DATE	DRAWING NAME:
	Y.K.SRIVASTAVA	21/11/03	NYLON RIPCORD FITTED WITH PIN (BRAKE PARACHUTE FOR MIRAGE 2000AIRCRAFT)
CHECKED			DRAWING NO: ADRIE/309
APPROVED			OWNER: ORDNANCE PARACHUTE FACTORY
SCALE:1:1	SHEET NO.: 1 OF 4		



THIRD ANGLE PROJECTION

DETAIL INDEX



**NYLON RIPCORD
I-OFF**

MATERIAL :-

1. **RIP CORD :-**

NYLON FINISHED LINE / CORD ϕ 2.5 mm
 BL : 112 Kg (Min) PERCENTAGE
 ELONGATION AT BREAK = 60 % (Max)
 SPECIFIC GRAVITY = 1.14

2. **FERRULE :-**

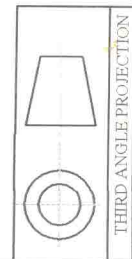
AUSTENITIC CHROMIUM - NICKLE
 STEEL EN - 58 C TO SPECN.
 BS: 970 - 1955

PERFORMANCE TEST :-

FERRULE BEING SWAGED IN POSITION SHALL
 WITH STAND OF 588 N (60 Kg, Min)

NOTE :-

1. GENERAL TOLERANCE COARSE TO IS: 2102 - 1962
2. DIMENSIONS ARE IN MM UNLESS OTHERWISE STATED

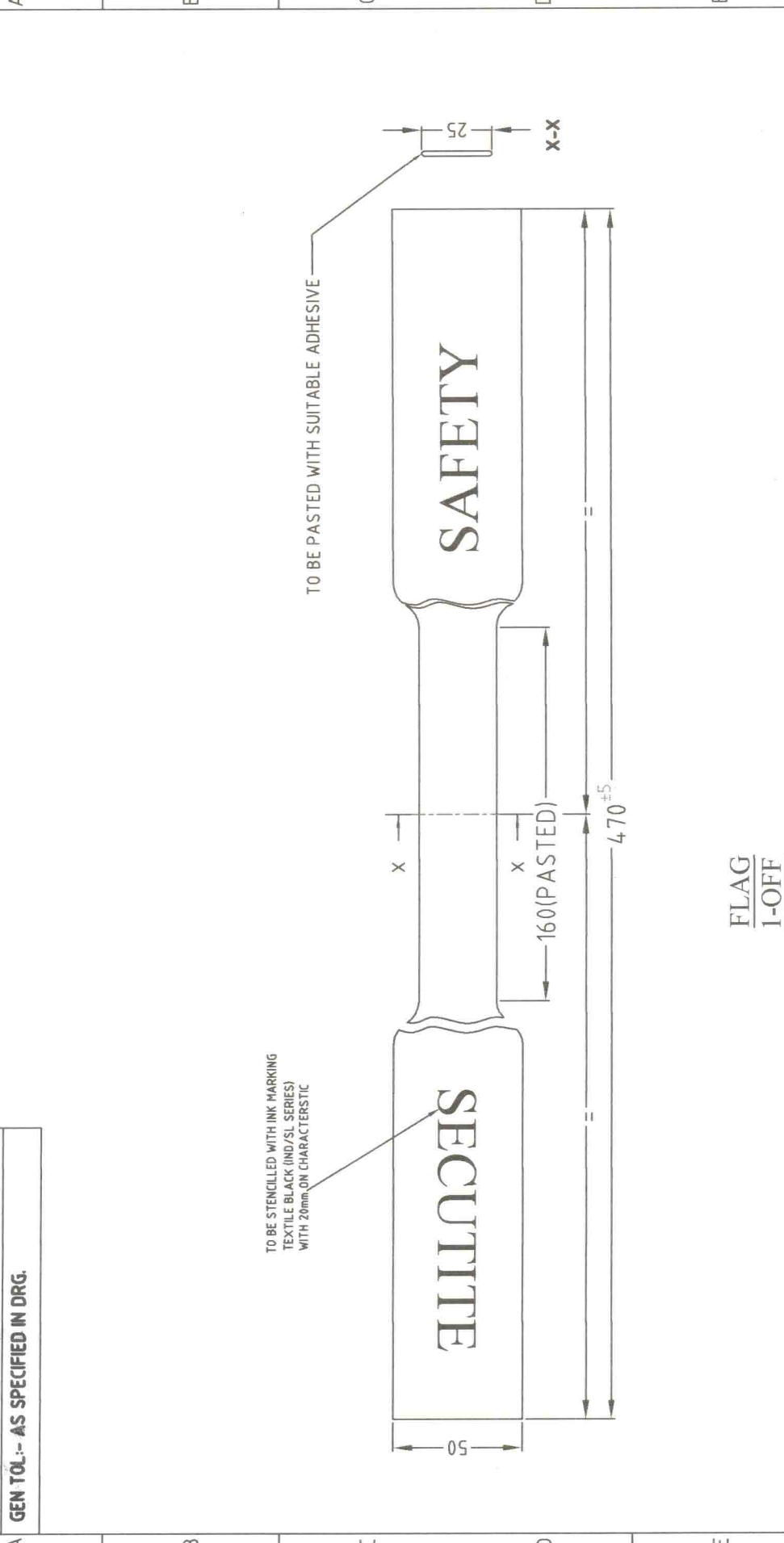


THIRD ANGLE PROJECTION

DWG NO : OPF/PARA/MECH-02
 REV: _____

DRAWN	K.M.RAMESHKUMAR	DATE	21-11-68	DRAWING NAME:	NYLON RIPCORD FITTED WITH PIN (BRAKE PARACHUTE FOR MIRAGE - 2000 AIRCRAFT)
CHECKED				DRAWING NO:	ADRDE / 309 (a)
APPROVED				OWNER :	OPF / PARA / MECH - 02
SHEET NO. :- 2 OF 4		SCALE :- 1:1		ORDNANCE PARACHUTE FACTORY	

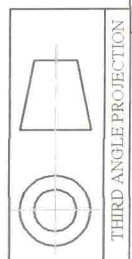
1	2	3	4	5	6	7	8
DRAWING CONVENTIONS CONFORM TO IS:696		REVISION NOTE		DATE	SIGNATURE		
DIMENS ARE IN mm UNLESS OTHERWISE STATED		REV. NO.					CHECKED
GEN TOL:- AS SPECIFIED IN DRG.							

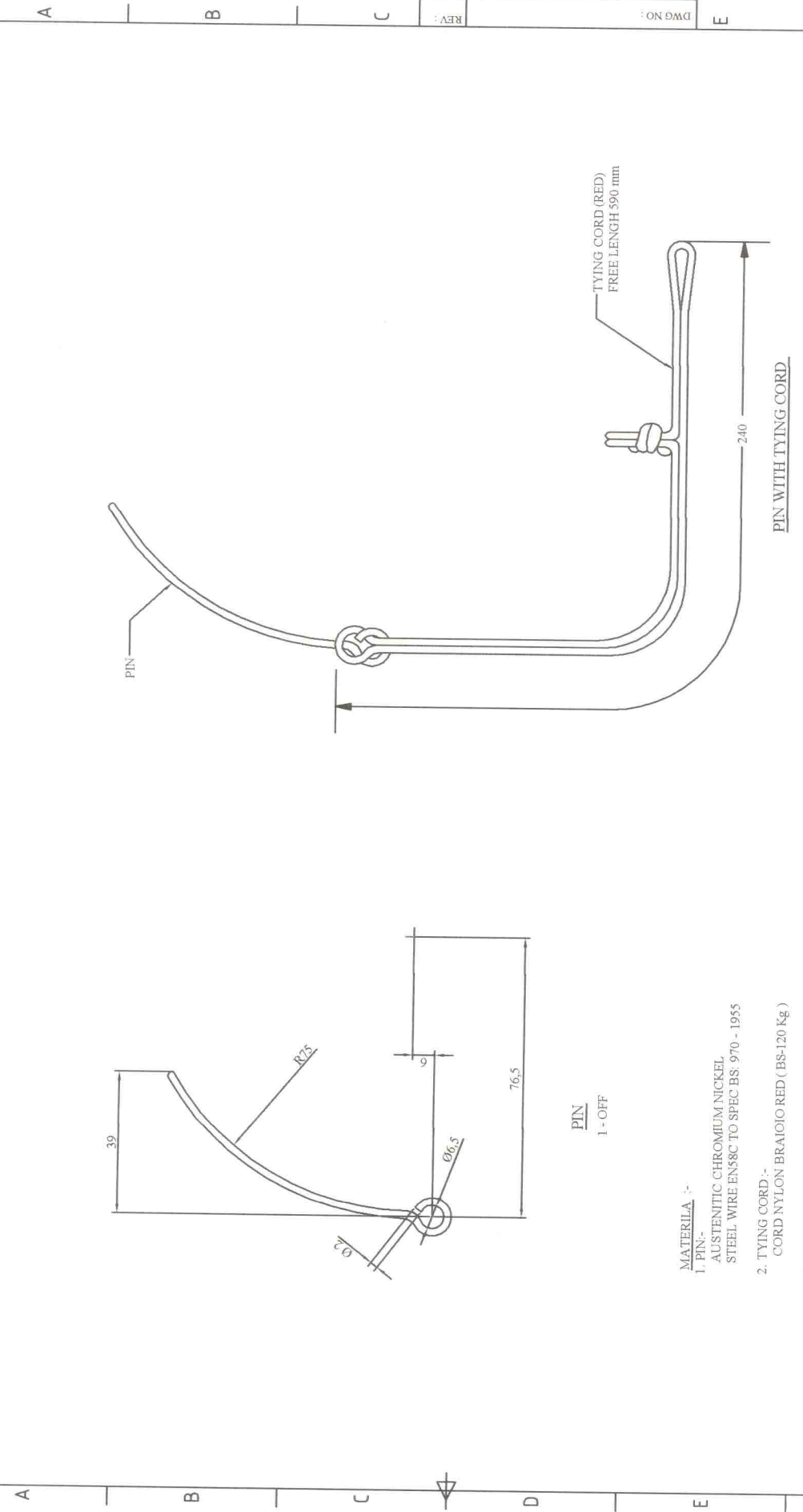


FLAG
I-OFF

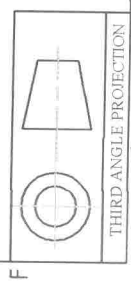
MATERIAL:- FABRIC RUBBERISED NYLON ORANGE ON BOTH SIDE TO THICKNESS 0.23 mm

DRAWING NAME: NYLON RIPCORD FITTED WITH PIN (BRAKE PARACHUTE FOR MIRAGE 2000(AIRCRAFT))	
DRAWN	DATE
Y.K.SRIVASTAVA	21/11/03
CHECKED	
APPROVED	
SCALE: 1:1	DRAWING NO. ADRDE/309(a)
SHEET : 3 OF 4	OWNER : ORDNANCE PARACHUTE FACTORY





DRAWING NAME: NYLON RIPCORD FITTED WITH PIN (BRACE PARACHUTE FOR MIRAJE JIBBAR CRAFT)	
DRAWN K.M.RAMESH KUMAR	DATE
CHECKED	DRAWING NO: ADRDE / 309 (a)
APPROVED	OWNER:
SHEET NO.- 4 OF 4	SCALE:- 1:1
ORDNANCE PARACHUTE FACTORY	



- MATERILA :-**
- PIN:-**
AUSTENITIC CHROMIUM NICKEL
STEEL WIRE ENS58C TO SPEC BS: 970 - 1955
 - TYING CORD :-**
CORD NYLON BRAI/O RED (BS-120 Kg)
 - HARDNESS:-**
PIN 443 ± 5VFN

NOTE :-

- DRAWING CONVENTIONS CONFIRM TO IS 696
- DIMENSIONS ARE IN mm UNLESS OTHER WISE STATED

PIN
1 - OFF

PIN WITH TYING CORD