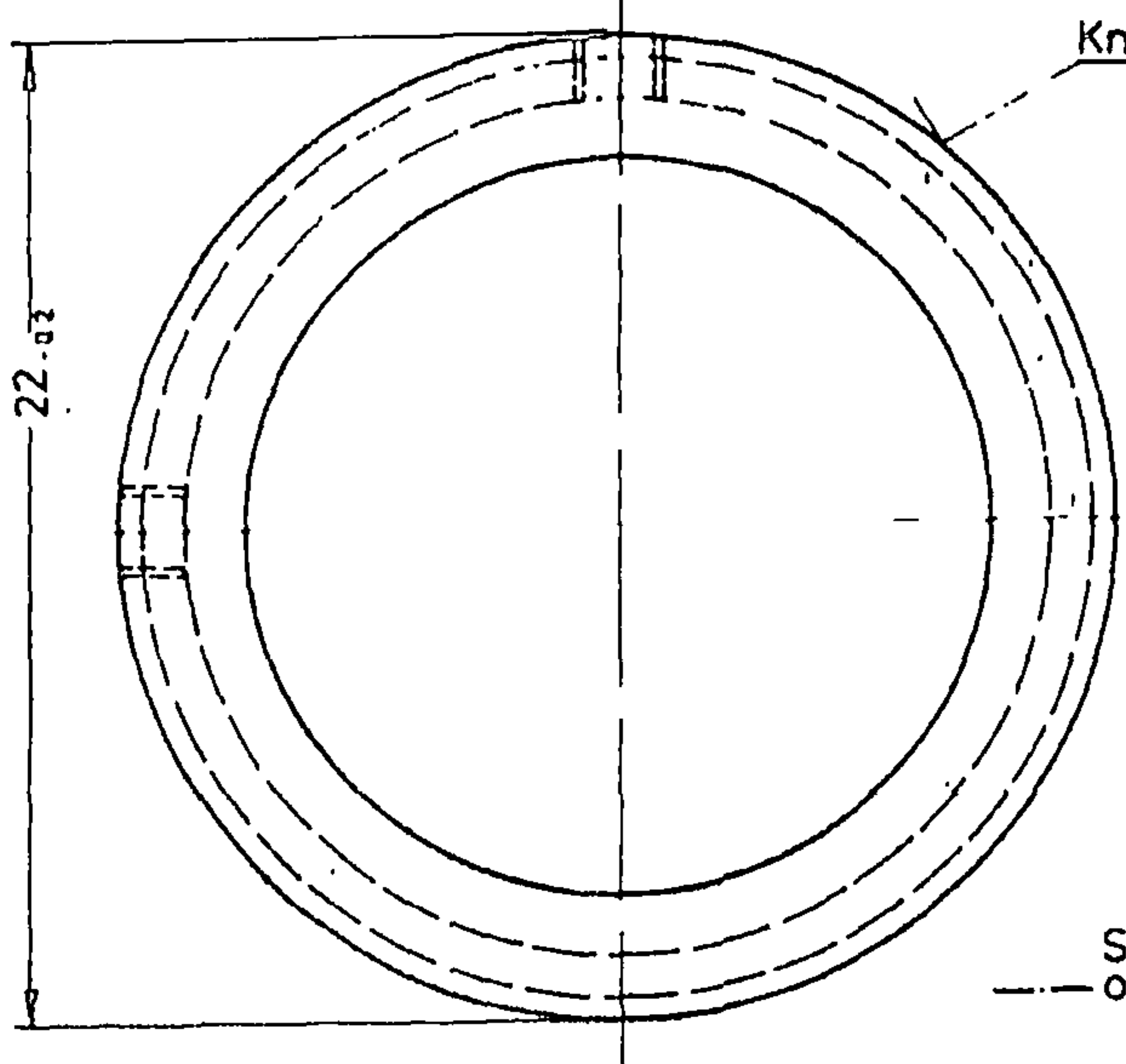
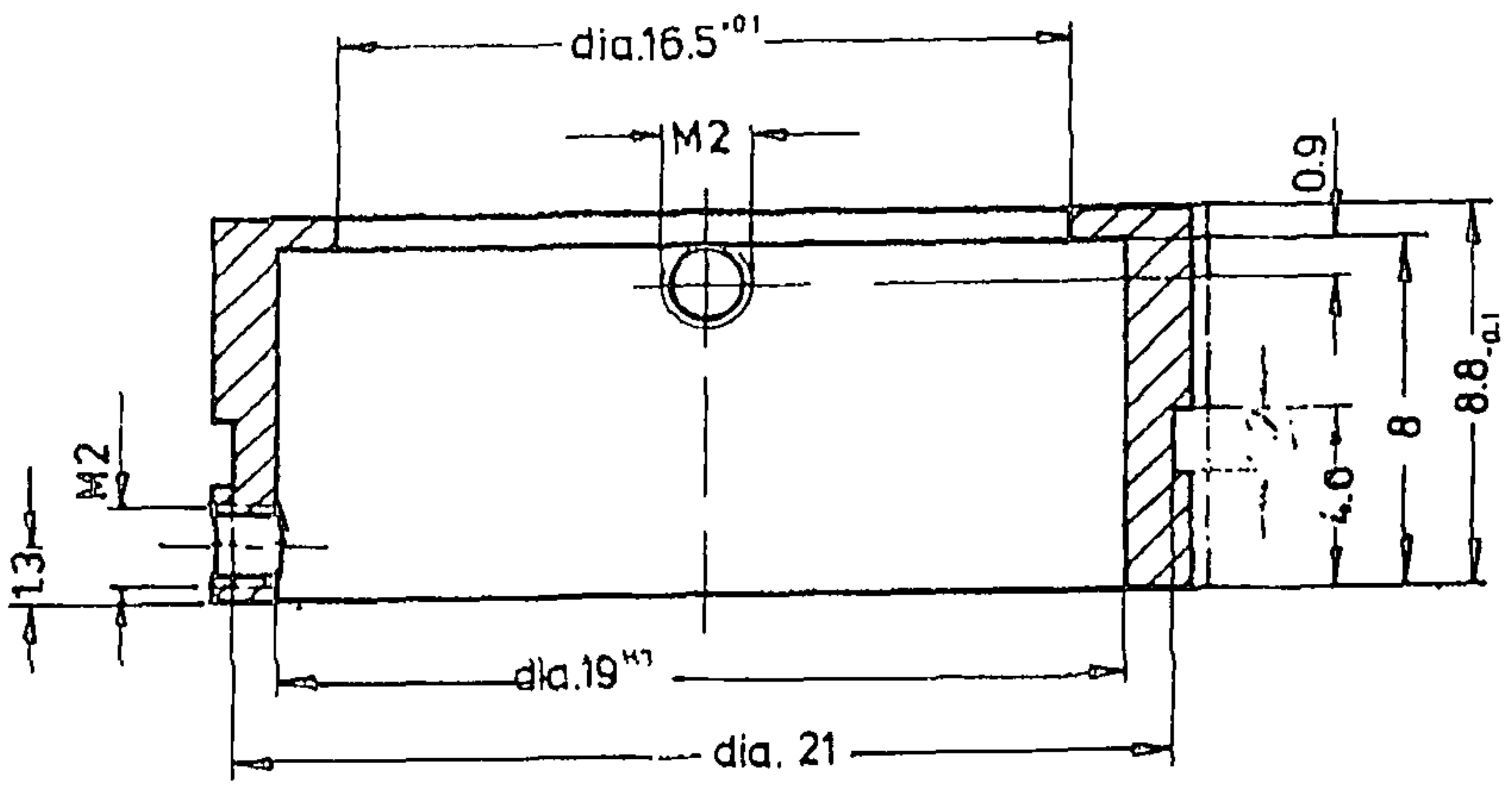


Für diese Zeichnung behalten wir uns alle Rechte vor D.R.G. VETTED BY QM: - / JAV D.C.I. - 2423-I(P), 2750-2(P)



Knurled head 0.8

Surface 52
outside 0.3

| NO | DATE | DESCRIPTION |
|----|-------------|-------------------|
| 1 | 16.12.11 | DRG. No. AMENDED. |
| 2 | 17.11.18707 | DRG. PROD. SEALED |
| | | AMENDMENTS |

| | | | | | |
|----------|----------|--------------------|--|-------------------------------|---|
| Date | | Name | | Chr Beck & Söhne KG Kassel | Tolerances unless otherwise stated Maße ohne Toleranzen, wie ±0.1 |
| Gez | 20.11.15 | | | | |
| Gepr | 20.10 | Material | | Tube 22x3 AlCuMgPbF 38 | CBS DRG No. CQA(1)-793/35 |
| Norm | | Werkstoff | | | |
| Scale | Unit | Material | | GF | 235145J |
| Maßstab | Einheit | Werkstoff | | | |
| 5:1 | mm | AlCuMgPbF 38 | | | |
| Project | | Adjusting Drum | | | |
| Europ | | | | | |
| Fit size | | Limit of tolerance | | Signed Eckel | |

(2)