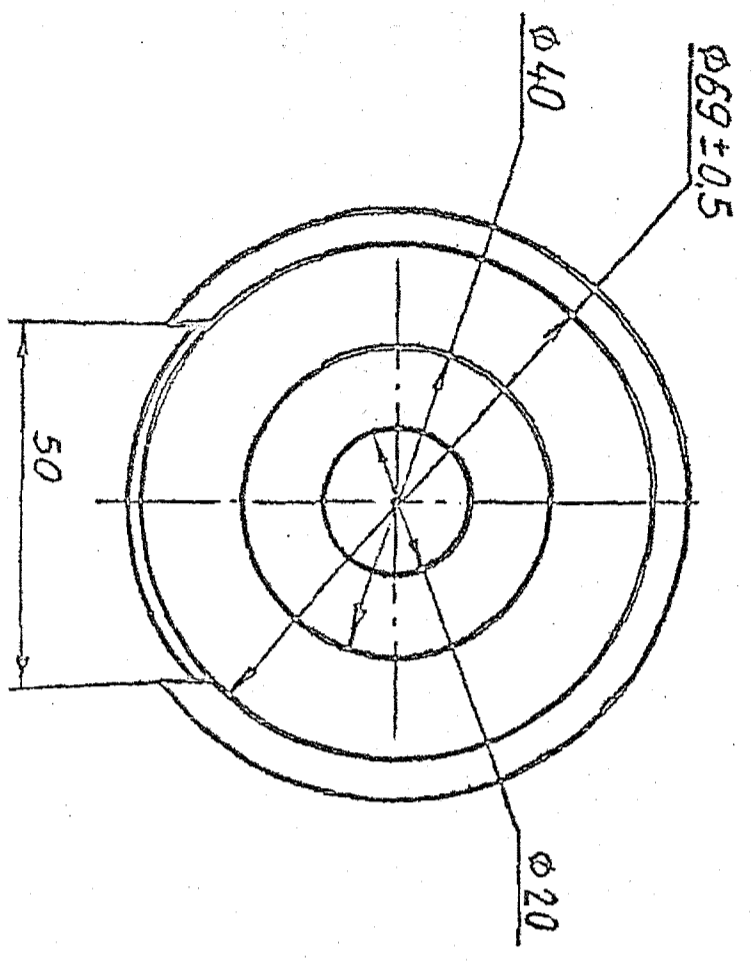
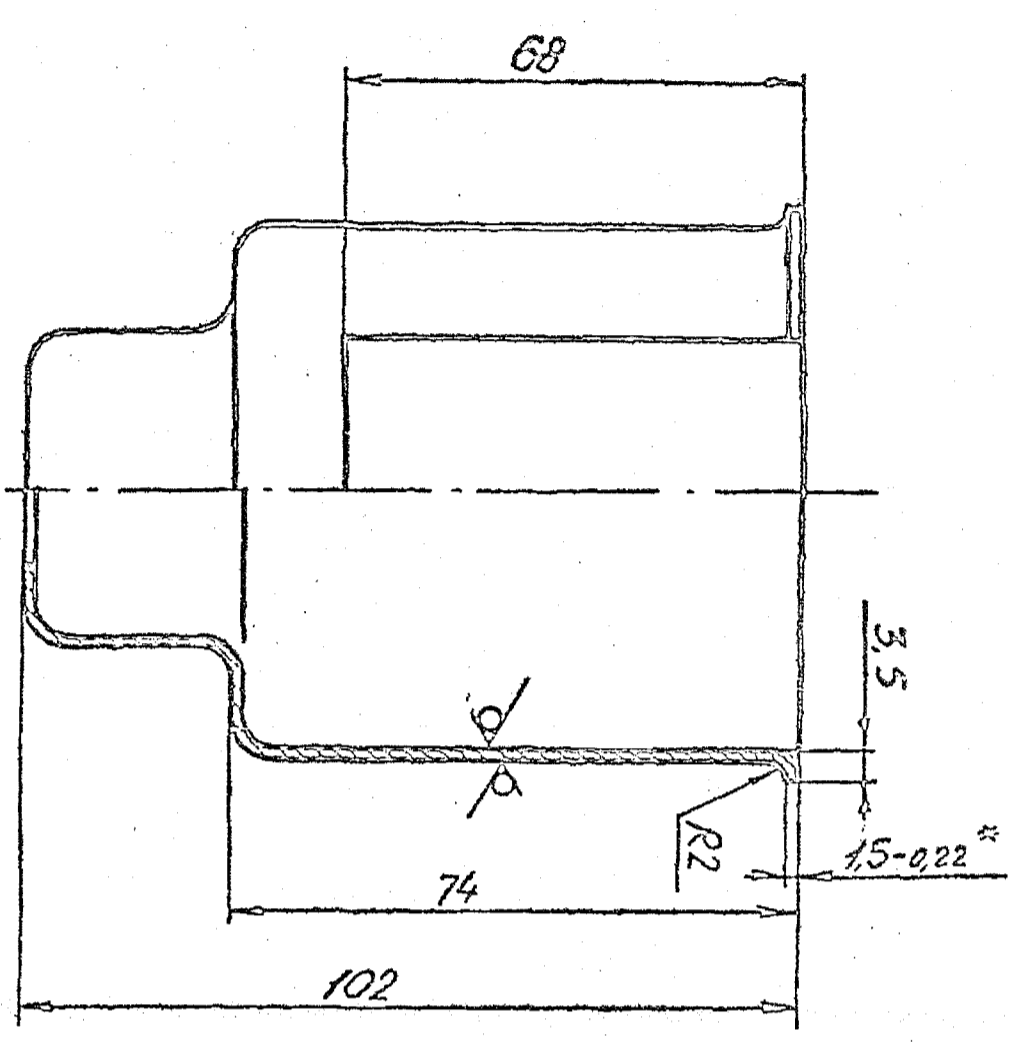


675-55-184

R2160/11

TECHNICAL CONDITIONS

1. Material-substitute is sheet AMr5-1,5, ГОСТ 21631-76.
2. Unspecified limit deviations of sizes are ± 1 mm.
3. Unspecified radii should not exceed 5 mm.
4. σ_{st} Size is given for reference.



@ ALT MATL.: 31000/31500 IS:737 OR 19500 TO IS:737, AS ALTERNATE IN ANNEALED CONDITION.
 @ ALT MATL ADDED AUTH IC (ICV) LETTER NO. CQA(ICV)/02103/MTPF/QID-II DT-5-4-88

APPROVED		675-55-184	
CHECKED			
CONTROLLERATE OF QUALITY ASSURANCE (ICV)		CASING	WEIGHT
			SCALE
		SHT 1	SHTS 1
		SHEET AM M-1,5, GOST 21631-76	

