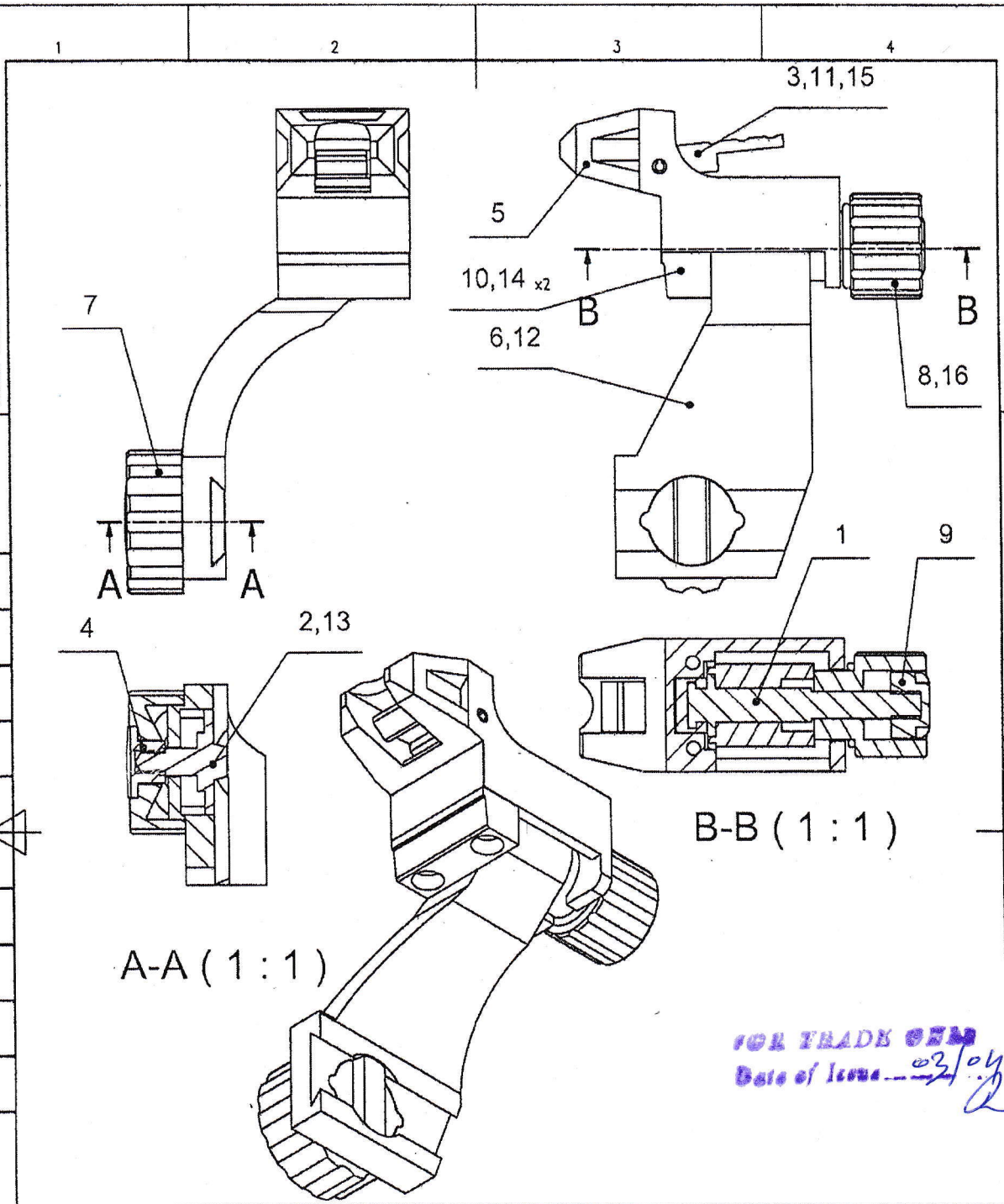


This document is the Property of Bharat Electronics Ltd. Machilipatnam, Andhra Pradesh. Reproduction, Utilisation or Disclosure to third parties in any form whatsoever is not allowed without written consent of the proprietors.



FOR TRADE COPY
 Date of Issue: 03/04/21
 29

00	—	30.03.2016	ORIGINAL	KSJ	YYL	YYL			
VER	ECO NO.	REL. DATE	CHANGE	DO	ENGR	APVD	NEXT ASSY. NUMBER	ITEM	QTY
MATERIAL			FINISH	PROJECTION		ALL DIMENSIONS ARE IN MM UNLESS OTHERWISE SPECIFIED		LAB/OFFICE	
								MAC	
DRAWN		CHECKED		ENGINEER		SCALE		TITLE	
RAJU		KSJ		YYL		NTS		SWINGING ARM ASSY	
DT 30-03-16		DT 30-03-16		DT 30-03-16		DOC TYPE		NUMBER	
						GA		1700 005 503 21	
								SHEET NO.	
								001	
								VER.	
								00	
								NO. OF SH.	
								01	
								SIZE	
								A4	

भारत इलेक्ट्रॉनिक्स लि.
 भारत इलेक्ट्रॉनिक्स लि.
 BHARAT ELECTRONICS