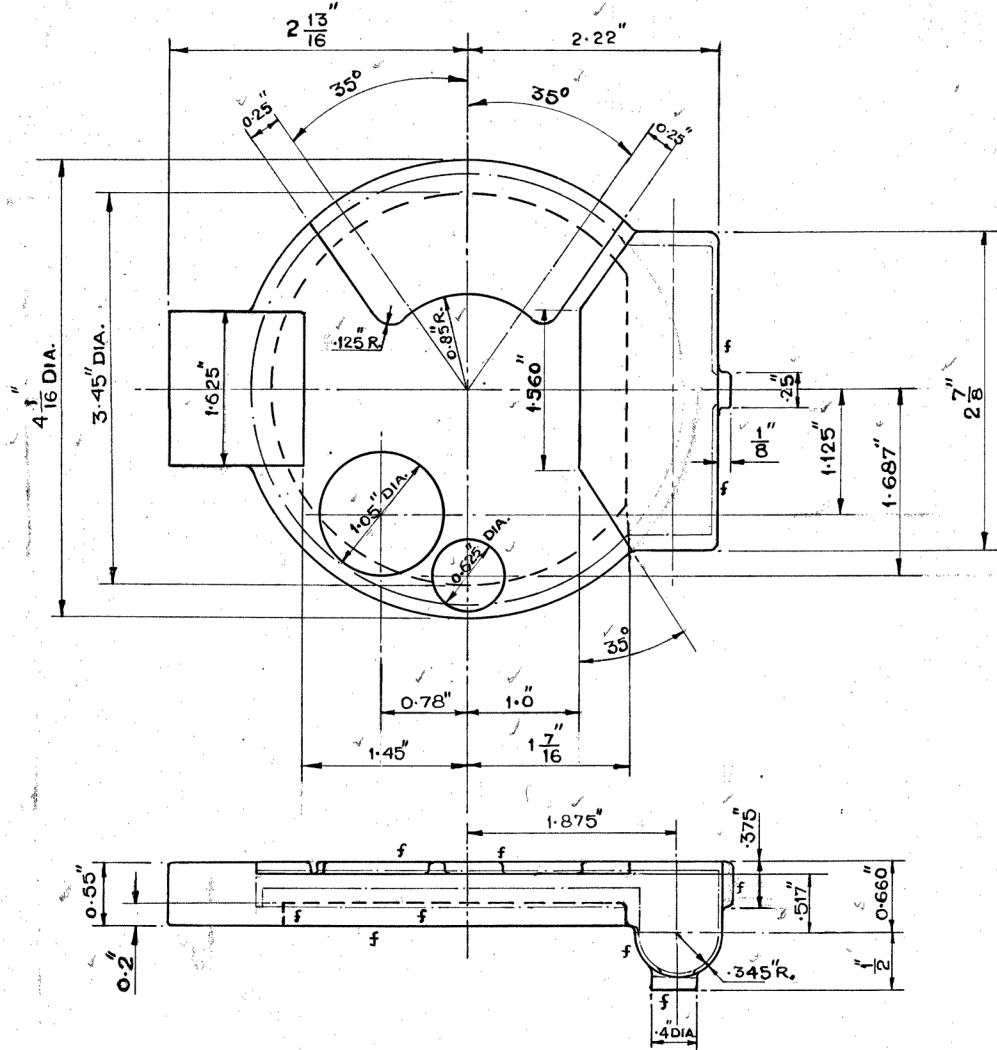
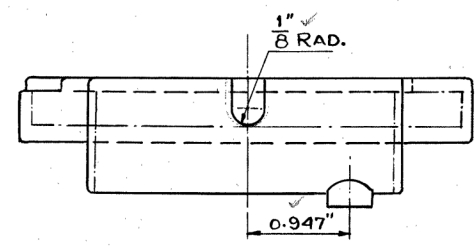


THIRD ANGLE PROJECTION



**NOTE :-** MACHINING ALLOWANCES ARE INCLUDED IN DIMENSIONS  
 SHRINKAGE ALLOWANCES NOT INCLUDED.  
 SURFACES MARKED f TO BE MACHINED.  
 COMPONENT DRG. SHOWN IN CHAIN DOTTED LINES.  
 CASTING TO BE NORMALISED.

\* IS: 306  
**MATL. :-** GUN METAL STA-7/CG-2 (NON MAGNETIC)  
 (ABSOLUTELY FREE FROM MAGNET.)



ORDNANAE FACTORY  
 DEHRA DUN

DR. M. R. SHARMA  
 CH. G. L. JETHI  
 TR. R. S. SHANDEVI  
 CH. J. S. SHANDEVI  
**APPROVED**  
 VIDE C.I.I. LETTER.  
 NO 0819 62  
 Dt. 20-5-63 I.O.F.I.

DIRECTOR FIRE CONTROL No 7 MK 5 (CASED)  
 GEAR WORM No 3  
 COVER  
 EXT. No 9367 D.D.

TITLE OF	OPERATION
----------	-----------

DT.	SCALE 1:1
MATL. AS ABOVE	TREAT. —
D.A. No 19/81 NORMALISING ADDED	
D.A. No 76/77	
D.A. No 60/66	SHEETS. - 1
D.A. No 150/64	SHEET No. - 1
AMENDMENTS	DRG. No. ODD/C/275/2