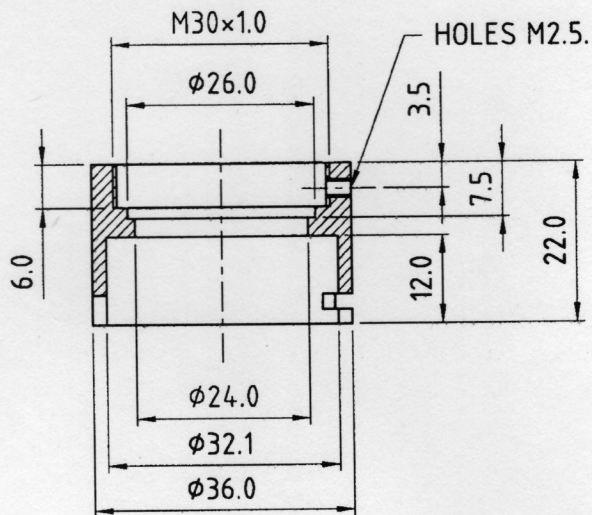
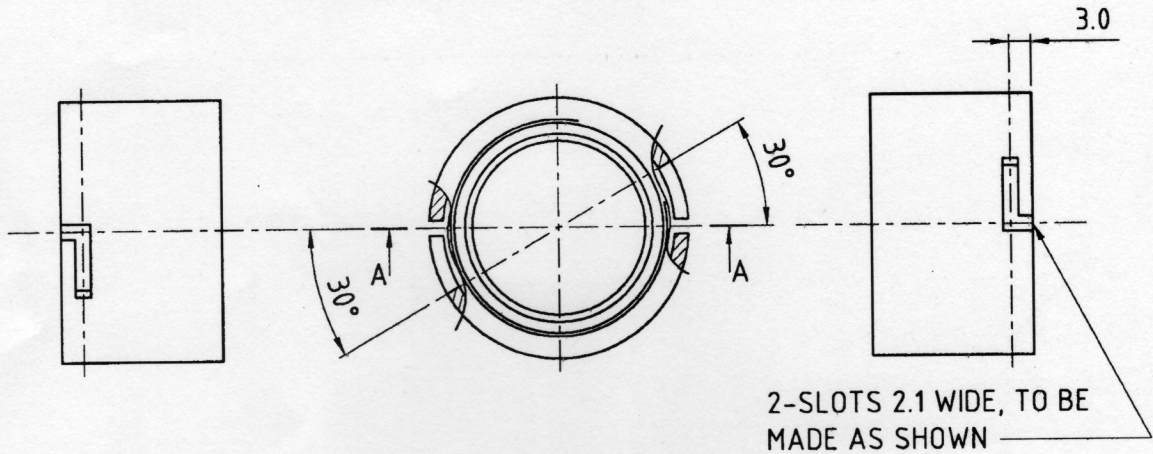


TELESCOPE SIGHTING 5.56 mm. LMG (INSAS) CASED 101A CELL, FILTER

DRG. No. :-

IRDE-2605/40

MCT-1727/1



SECTION AT 'A-A'

MATL. :- AL. ALLOY TUBE, IS:738-1994, DESIG. 24345 CONDITION T4.
FINISH :- ANODISED BLACK DULL.

FOR TRADE ONLY
Date of Issue 04/03/24
Raj

ALL DIMENSIONS ARE MM.
IMPORTANT DIMENSIONS MARKED THUS ●
INFORMATION MARKED THUS † TO BE MARKED ON.

	DR.- R.K.SHARMA	DT.-13.1.2000	SCALE- 1:1
	TR.-	MATL. AS ABOVE	FINISH AS ABOVE
D.A. No.-30/2018, DT.-08/12/2018	CH.-	SHTS.- 1	SHT. NO.- 1
D.A.No.-04/2000, DT.-18/02/2000	APPROVED.	DRAWING No.- MCT-1727/1	
AMENDMENTS.	<i>Syl N. K. Vi / 1</i>		
OFD/DO/002	JWM./DO. AWM/TS.		

ORDNANCE FACTORY, DEHRADUN.