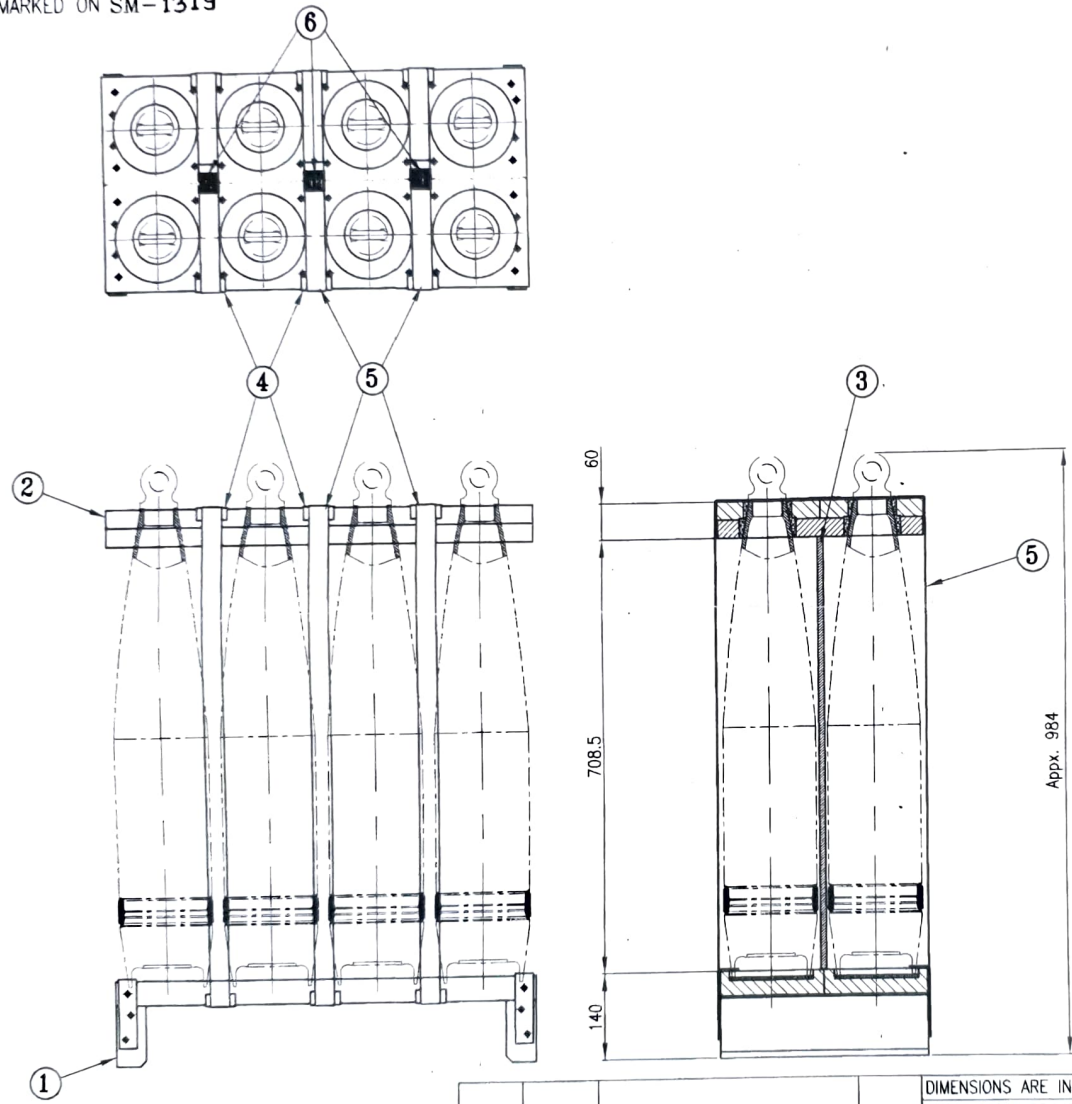


PROVISIONAL

DRG. NO: SM-1319

TOL. ON UNTOLERATED DIMNS. ARE AS PER MEDIUM CLASS TO IS: 2102

TO BE MARKED ON SM-1319



GENERAL ARRANGMENT

सर्वोपरि लिखित कोड/ओ.ए.जे.
का प्रति या पैकेट में एक एक. जे.
ड्रा की गई है
दिनांक: 20/12/22
Date: 20/12/22
for HOS/CDD

NOTE:

- SUPPLIER HAS TO SUPPLY 1 SAMPLE FOR FITMENT TRIAL AFTER APPROVAL OF FITMENT TRIAL BULK SUPPLY TO BE DONE
- ALL STEEL FITTINGS SCREWS NAILS RIVETS TO BE TINNED OR SUITABLY RUST PROOFED.
- ALL SCREWS TO BE WOOD MS C'SK HD. TO SPEC. IS : 6790.
- ALL NAILS TO BE ROUND MS WIRE PLAIN HD. TO SPEC. IS : 723.
- ALL RIVETS TO BE MS FLAT HD. TO SPEC. IS : 2155.
- THE BOXES SHOULD BE REPLACED FREE OF COST IF ANY DEFECT IS NOTICED AT A LATER DATE.
- MINOR MODIFICATION ACCEPTABLE AFTER FITMENT TRIAL.
- ALL 8 COMPONENTS SHOULD BE WRAPPED WITH AIR BUBBLE SHEET FROM THE TOP PORTION UP TO 150 mm LENGTH.
- AFTER PACKING PALLET SHOULD BE COVER WITH STRETCH WRAP.
- APPROX. WEIGHT OF PALLET = 15kg (Max)

ITEM NO.	DESCRIPTION	NO.OFF	MATERIAL	REMARKS
8	STRETCH WRAP	1	POLYTHENE	
7	AIR BUBBLE SHEET	8	POLYTHENE	
6	CORD BUCKLE 32mm	3	M.S.(Zn PLATED)	
5	CORD STRAP 32mmX7.5mt	1	POLYPROLENE	
4	ANGLES FOR CORD GRIP 40x40x50L	12	NYLON	
3	CORRUGATED SHEET 905X650X7.10L	1	PAPER	
2	TOP COVER BLOCK	1	AS STATED	
1	BOTTOM BLOCK	1	AS STATED	

PART LIST

DIMENSIONS ARE IN mm
THIRD ANGLE PROJECTION
SCALE - 1:8

MATERIAL: AS ABOVE

NOMENCLATURE:

2022	NAME	DATE
DRAWN	Susmita	20/12/22
CHECKED	Jm	20/12/22
HOS/CDD	BL	20/12/22
JWM/SM		
HOS/SM		
APPROVED	Ashwini	20/12/22

SHELL PACKING BOX

M/C:
STORE: 155 mm L15 A1

आर्डरनेस फैक्टरी अम्बाझरी
ORDNANCE FACTORY AMBAJHARI

DRG. NO: SM-1319

REVIEW NO:
SHEET NO: 1
NO. OF SHEETS: 2
OPERATION NO:
COMPT: SHELL

REV.	DATE	DESCRIPTION	SIGN.
AMENDMENTS			

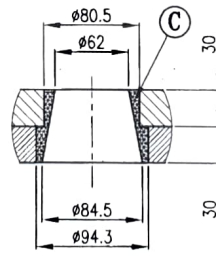
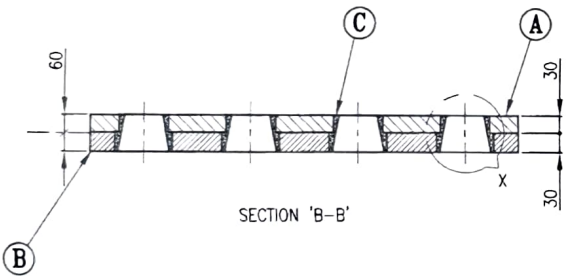
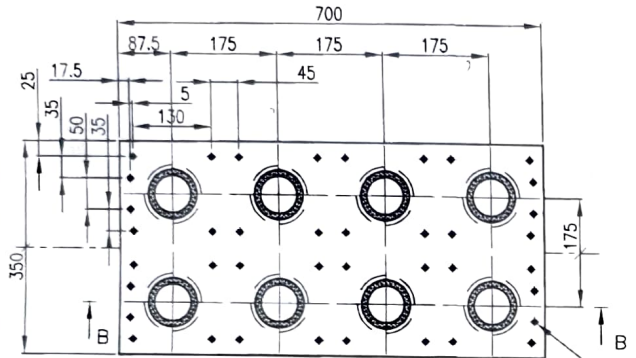
DRG. NO: SM-1319

TOL. ON UNTOLERATED DIMNS. ARE AS PER MEDIUM CLASS TO IS: 2102

PROVISIONAL

TO BE MARKED ON SM-1319

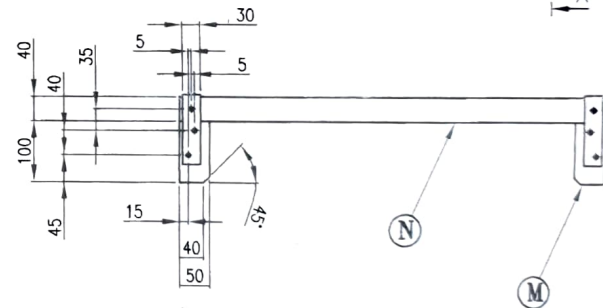
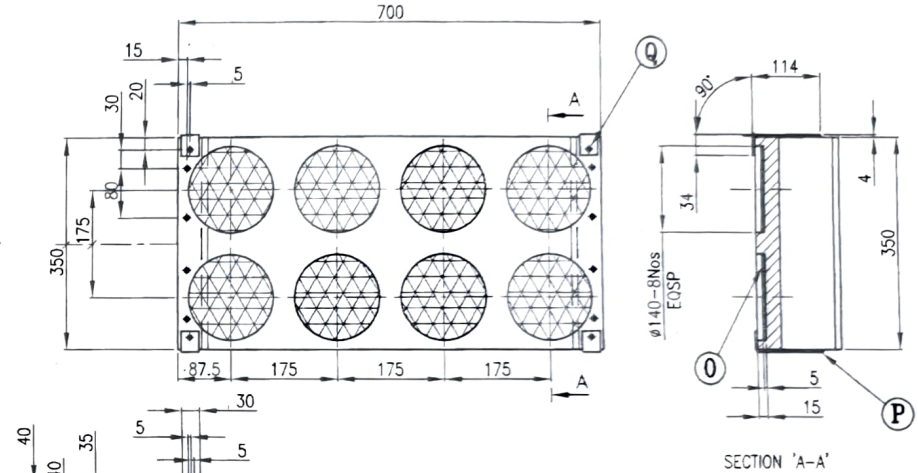
② TOP COVER BLOCK



ITEM NO.	DESCRIPTION	NO.OFF	MATERIAL	REMARKS
D	WOOD NAILS	40	M.S.	
C	NOSE PACKING	8	XLPE (FOAM)	
B	PLATE B 342X350X30 THICK	1	SEASONED & CHEMICALLY TREATED JUNGLE WOOD	
A	PLATE A 700X350X30 THICK	1	SEASONED & CHEMICALLY TREATED JUNGLE WOOD	

PART LIST

① BOTTOM BLOCK



ITEM NO.	DESCRIPTION	NO.OFF	MATERIAL	REMARKS
Q	WOOD NAILS	24	M.S.	
P	BRACKET	4	M.S.	
O	BASE PACKING #140X5mm THICK	8	XLPE (FOAM)	
N	SITTING PLATE 700X350X40 THICK	1	SEASONED & CHEMICALLY TREATED JUNGLE WOOD	
M	BLOCK 345X100X50	2	SEASONED & CHEMICALLY TREATED JUNGLE WOOD	

PART LIST

DIMENSIONS ARE IN mm		
THIRD ANGLE PROJECTION		
SCALE - 1:8		
2022	NAME	DATE
DRAWN	Sushil	20/12/22
CHECKED	AS	20/12/22
HOS/CDD	SP	20/12/22
DESIGNED	JWM/SM	
APPROVED	HOS/SM	20/12/22
	Op/SM	20/12/22

MATERIAL: AS ABOVE
NOMENCLATURE:
SHELL PACKING BOX
M/C:
STORE: 155 mm L15 A1

आर्डनैन्स फैक्टरी अम्बाझरी
ORDNANCE FACTORY AMBAJHARI
DRG. NO: SM-1319
REVIEW NO:
SHEET NO: 2
NO. OF SHEETS: 2
OPERATION NO:
COMPT: SHELL

REV.	DATE	DESCRIPTION	SIGN.
AMENDMENTS			

COPY ISSUED BY ODD/OFAJ
 यह प्रति को दो डी.सी. एक.ए. प्र.
 द्वारा जो गइ है
 दिनांक: क.क.प्र./सी.डी.डी
 Date: 20/12/22 for HOS/CDD