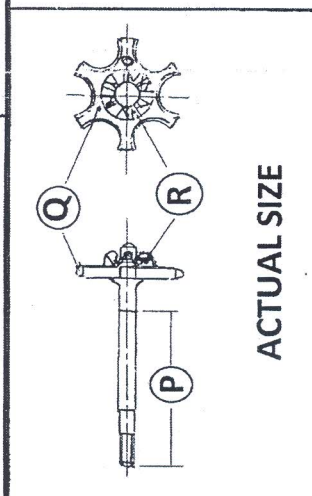
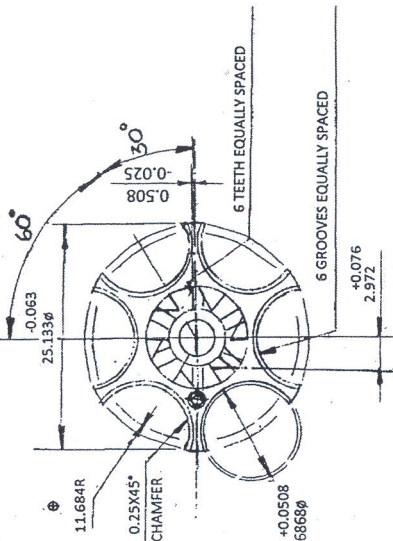
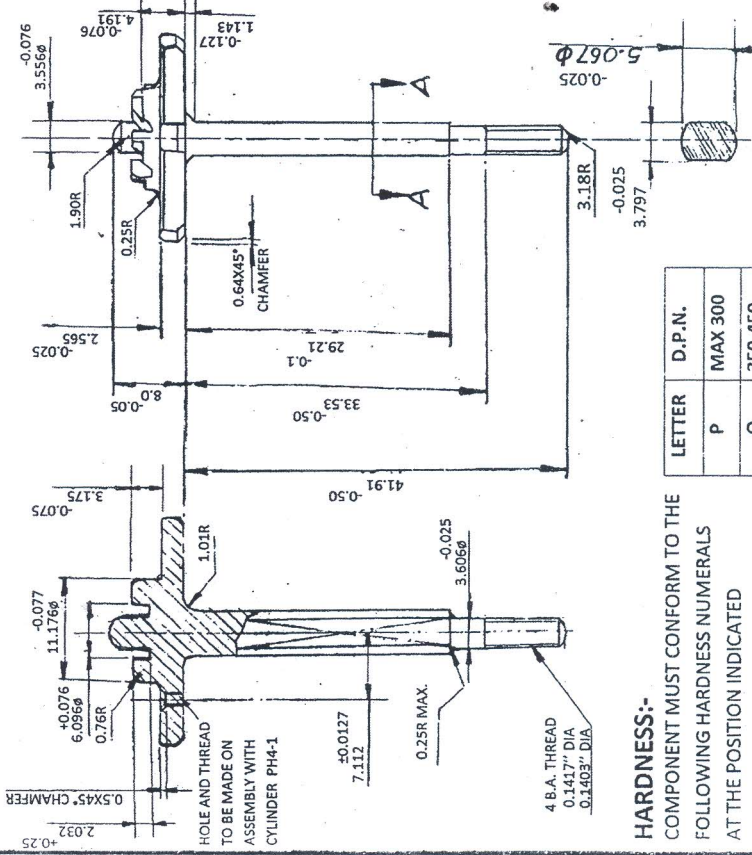
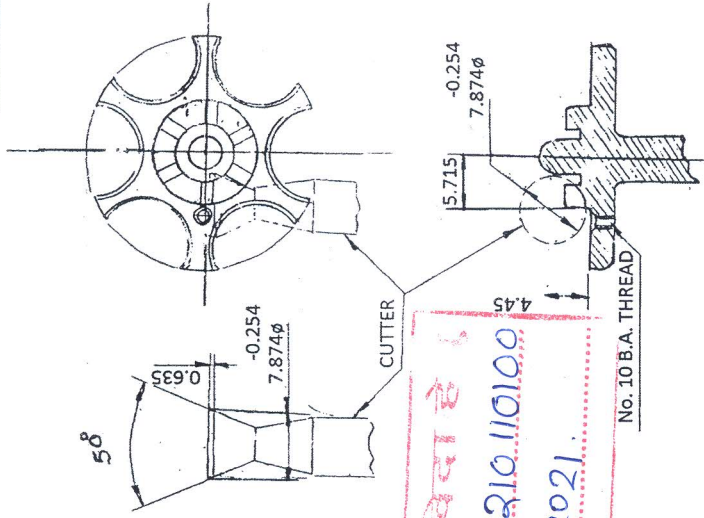


DRG. NO. SK-02047



NOM. SIZE & FIT	DEVIATION



केवल निविदा हे !
सन्दर्भ मॉडल पर स्रो 210.110100
दिनांक 30/11/2021.

VIEW SHOWING APPLICATION OF CUTTER TO FACE OF TOOTH

MATERIAL FOR MIM ROUTE MIM 4605
 C: 0.4-0.6% Mn: 0.2-0.5%
 Si: 1.0% Ni: 1.5-2.5%
 Fe: Balance
 Sintered Density: 7.5 min g/cm³

HARDNESS: 40-45 HRC by
 Hardening & Tempering
 (Through Hardening)

SUPPLY CONDITION:
 Grit Blasting+Oiling

HARDNESS:-
 COMPONENT MUST CONFORM TO THE FOLLOWING HARDNESS NUMERALS AT THE POSITION INDICATED

LETTER	D.P.N.
P	MAX 300
Q	350-450
R	500-600

IMPORTANT DIMENSIONS MARKED THIS ⌀ MUST BE STRICTLY ADHERED TO. ALL DIM'S ARE IN MM UNLESS OTHERWISE STATED

ITEM	DESCRIPTION	QOFP	MATERIAL	TREATMENT	STD.	REMARKS
SCALE : NTS	UNSPECIFIED TOLERANCES IS : 2.0Z (FED/NSM)	COMPONENT	FIELD GUN FACTORY	32-0100	KANPUR	APPROVED
2021	DATE	NAME	0.32" REVOLVER			DO/SHOP AD/DOC
DRN						DRG. NO. SK-02047
CHD						SHT. NO. 1
TCD						
COMP						
INP/200						
INP/500						

EXTRACTOR