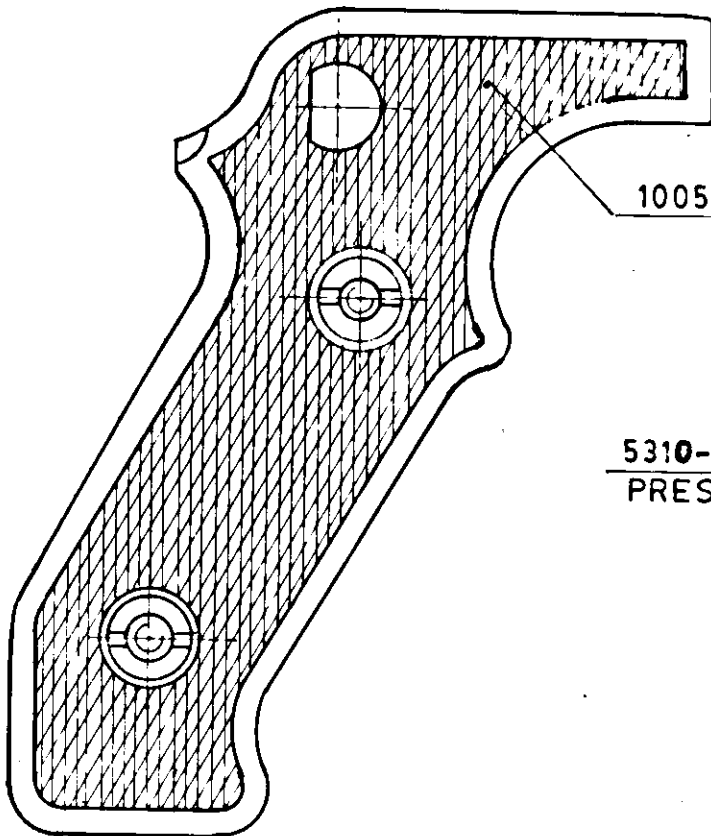


709000-9001

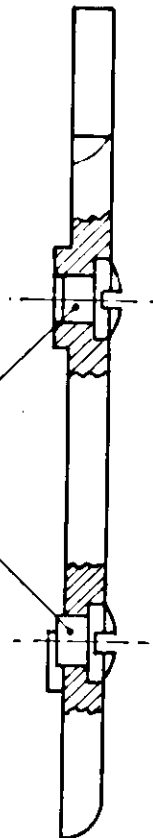
NO. D.S.CAT. 1005-00604

DIMNS. ARE IN mm.



1005-006849

5310-024496  
PRESSED HOME



07-03-2002.	25283-SA	RECORD OF RECEIPT CANCELLED AND DRG. SEALED AFRESH.			
3-5-2000	24708-SA	PROFORMA CHANGED, NEG. RE-TRACED AND DRG. RE-SEALED AS A RECORD OF RECEIPT.			
		PREVIOUS D.C. NOS. 15592-SA, 16608-SA, 17647-SA, 21671-SA, 24019-SA & 24213-SA.			

DATE AUTHY.

BRIEF RECORD

ZONE

I/C; D.O.

G.O.

SEALED:- D.C. NO. 25283-SA DT. 07-03.2002.

SIGN.

DRN.

CHD.

TRD. *S. Chawla*

COMP. *Manoj*

AHSP CQA(SA) ICHAPUR

SCALE :- 1:1

EST. MASS

ASSY. 1005-006847

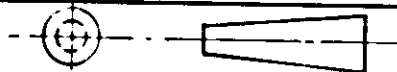
DT. 3-5-2000

*A. Ch*

APPROVED

NEG. RE-TRACED

MATERIAL :-



H.T/HARDNESS

DG NR'S

REF. A 1289

PROTECTIVE FINISH

PART NO. 1096

DRG. NO.

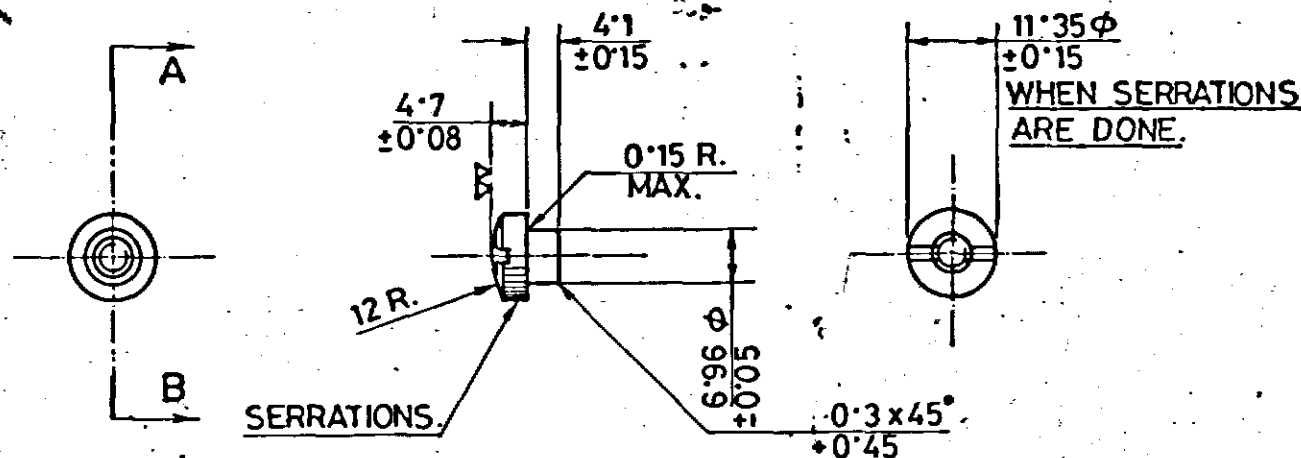
NOMENCLATURE:- SIDE STOCK, TRIGGER GRIP RIGHT, SUB-ASSY.

D.S. CAT. 1005-000604 NO.

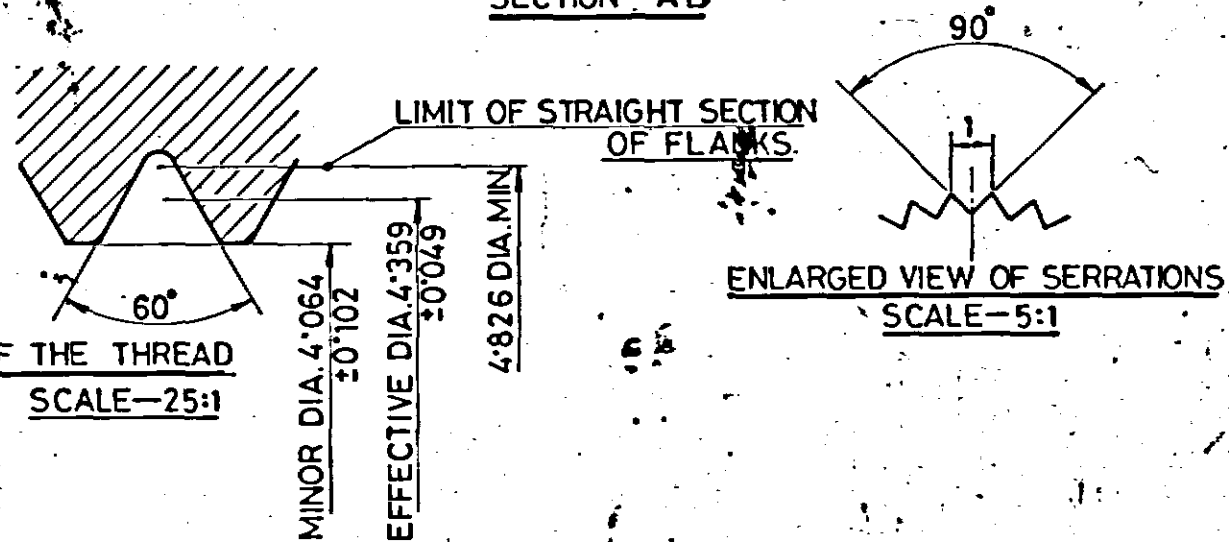
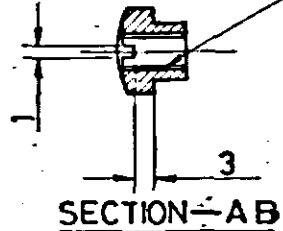


D.S.CAT No. 5310-024496

DIMNS ARE IN mm.



No. 10-32 NF-2B (0.190)  
DIA. 4.82 PITCH 0.7937



				DRN.	CHD.	TRD. S.K.P	COMP. <i>Barbini</i>	AHSP	CQA(SA), ICHAPUR
				SCALE:- 1:1, 5:1, 25:1.		EST.MASS		ASSY.	1005-00604 & 1005-006611
30.03.2002.	25310-SA	RECORD OF RECEIPT CANCELLED AND DRG. SEALED AFRESH.		<i>CD</i>	<i>JSD</i>	DT. 19-10-2001	I/C; D.O.	APPROVED	DI
19-10-2001	25157-SA	PROFORMA CHANGED, FINISH SYMBOL AMENDED, NEG. RE-TRACED AND DRG. RE-SEALED AS A RECORD OF RECEIPT.		<i>CD</i>	<i>MAC</i>	MATERIAL :- BS:970 PT1: 1983, Gr220 M07 OR 080 M15		DG NR'S	REF.
		PREVIOUS D.C. Nos. 15594-SA, 16549-SA, 21671-SA, 22017-SA, 23234-SA, 24217-SA.		COPY.	COPY	H.T./HARDNESS:-		PART No.	1096 B
DATE	AUTHY.	BRIEF RECORD		ZONE	I/C D.O.	G.O.		DRG. No.	A 1290
SEALED:- DC. NO. 25310-SA DT. 30-03-2002.				SIGN.		PROTECTIVE FINISH:-		D.S.CAT. No. 5310-024496	
NOMENCLATURE		NUT- RIGHT GRIP PLATE			PHOSPHATE TO SPECN. JSS:0465-01: 1988 CLASS-II (ACCELERATED) OIL FINISH				