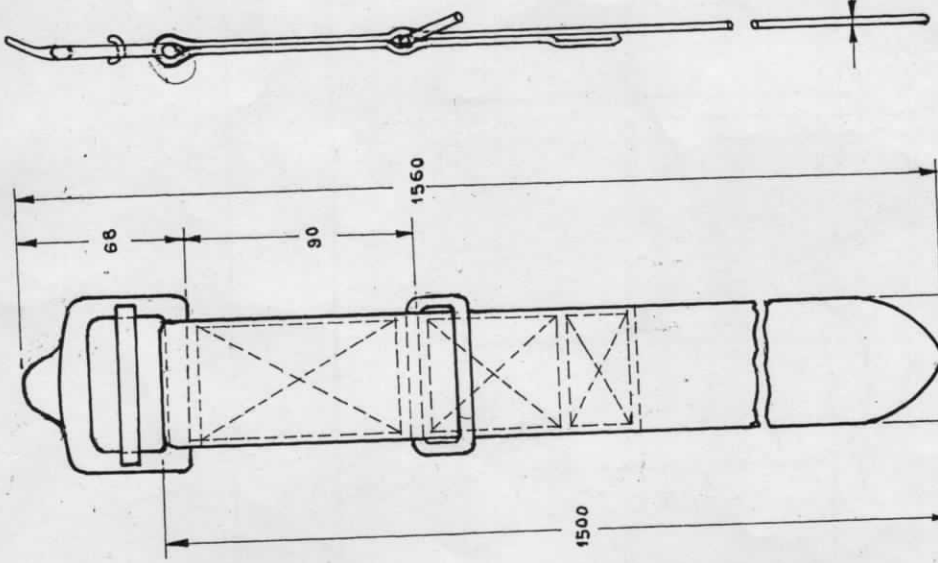


CAT. NO. 14-243

AMENDMENTS

DC(I)	NATURE
ES/14/14	DRG. PROVISIONALLY DT. 19-1-71 SEALED.
	sd/- xx SSO-II
	DRG. RETRACED WITH ALL AMEND- MENTS UPTO /B VIDE DC(I) NO. ES/E2/234 DT. 15-6-85.
	3799 ACGA (DRG.)



COPY ISSUED BY CDD/OE/AN  
 यह प्रति सौ. डी. जी. ए. के.  
 द्वारे दी गई है।  
 दिनांक: 16-06-21  
 Date: 16-06-21  
 क. सी. ए. / सी. डी. जी.  
 for JWM/CDD

Freimaß toleranz : grab DIN 7168

FOR Measures without  
 Special tolerances = rough DIN 7168

Material	Polyamid 1 Oliv
Brückenschlauchboot Pr-12-E	Holmgurt
Flot type Pr-12-E	Strap Saddle Assembly
Maßstab measure	1 : 2

★ SPECIFICATION NO: IND/ENG/  
 PROV/10733

ITEM N <sup>o</sup>	DRG. NO.	NOMENCLATURE	MATERIAL
1	14-243/1	BUCKLE CLAMPING (63-37)	BRASS IS:410
2	—	STRAP	POLYAMID ★
3	14-243/2	CRAMP, SADDLE STRAP (63-37)	BRASS IS:410

zeichnung Nr 14-243  
 drawing No. 14-243

RETRACED BY: [Signature] COMPARED BY: [Signature] CHECKED BY: [Signature]

Zeichnungs-Nr. 14-243/2  
 Drawing-No.

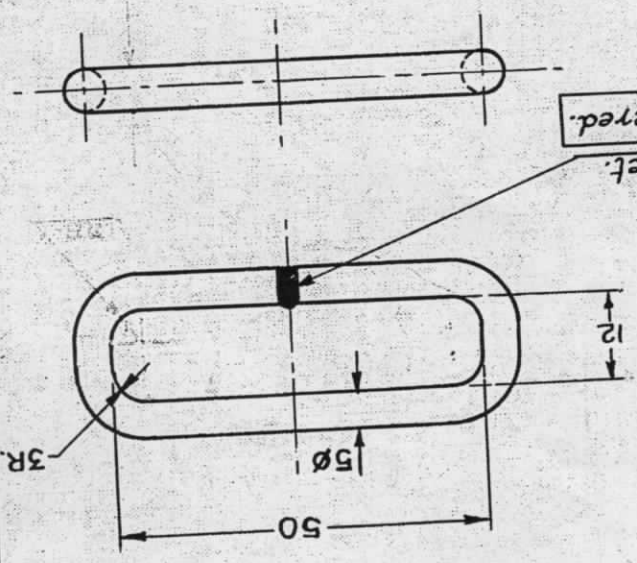
Cramp for String piece.

Name	date	gezeichnet	checked	TL
Sd.x	20.4.67	20.4.67	2.5.67	TA1
Datum	20.4.67	2.5.67	3.5.67	

Cramp for saddle strap.  
 FLOAT type Pr-12-E  
 Krampe für Holmgurt.  
 Brückenschlauchbohl Pr-12-E.

Material Ms 58-63 codmiert.  
 Maßstab: 1:1  
 measure

Freimaßtoleranzen: grob DIN 7168.  
 For measures without special tolerances = rough DIN 7168.

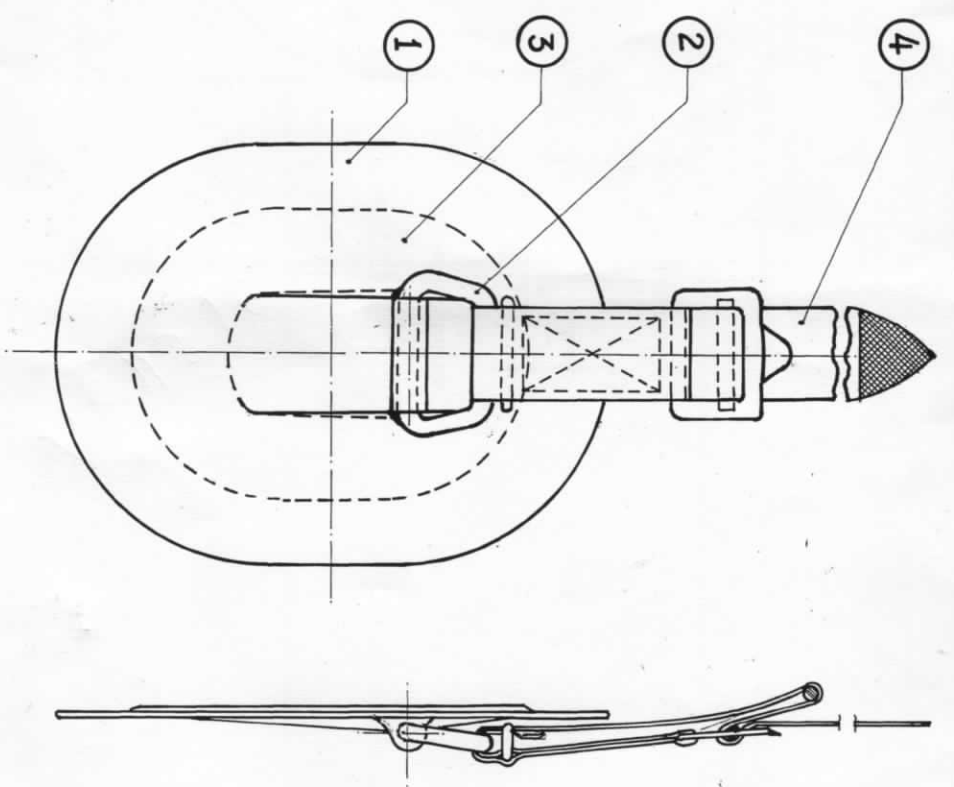


16-06-21  
 Date  
 JWM/GDD

AMENDMENTS.  
 D.C.(1): NATURE.  
 ES/14/14 DRAWINGS PROVISIONALLY SEALED. DT.19-1-71  
 S.S.O. II C.I.E.



AMENDMENTS	
D.C.(I)	NATURE
ES/14/14 DI/9-11I	DRG PROVISIONALLY SEALED.
DRG RETRACED, Sd/-xxx SSD-II 27-7-99 A CA/GRNG	



6096 ISSUED BY 009/06AJ  
 यह प्रति सी.डी./सी.एफ.र. नं. 26-06-21  
 दिनांक: 26-06-21  
 Date: 26-06-21  
 क. को-म. / सी. डी. डी.  
 for JWM/CDD

Stück piece	Gegegenstand object	Pos. pos.	Material material	Bemerkung Remark
1	Holmgurt. Saddle strap	4	Polyamid/ oliv	
1	Gummi-formteil rubber-shaped part	3	Neoprene/ Nylon	
1	Trapezbügel Trapezoidal strap	2	MS/ cadmiert	
1	Deckplatte cover	1	KK 200	

Mabstab measure	Brückenschlauchboot Pr-12-E Holmgurthbesatz
1:2	FLAT type Pr-12-E. Saddle strap trimming assembly

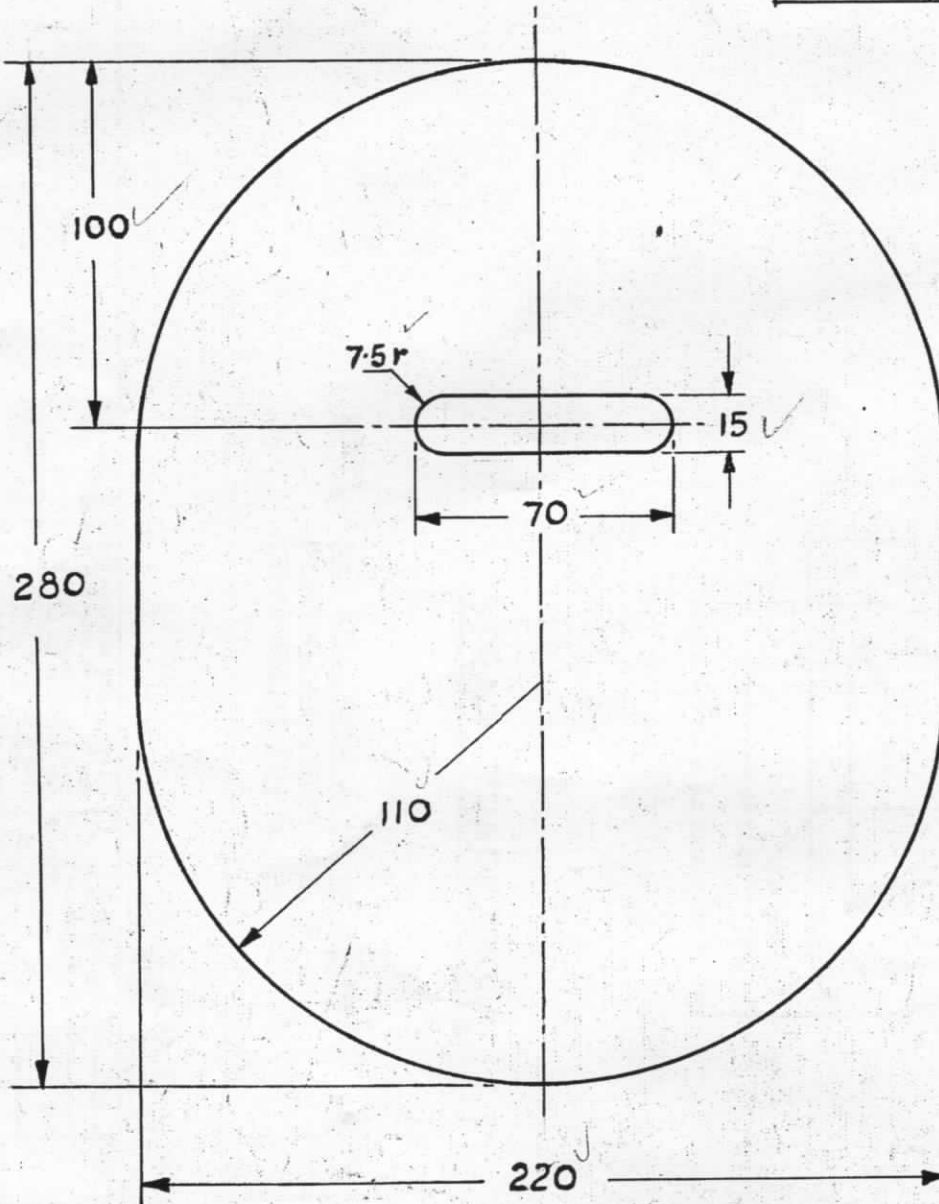
Zeichnungs Nr. 14-242  
 Drawing No. 14-242  
 String piece fitting

RETRACED BY: [Signature]  
 COMPARED BY: [Signature]  
 CHECKED BY: [Signature]



COPY ISSUED BY CDD/OFAJ  
 यह प्रति सी डी डी/ओ एफ.ए.जे.  
 द्वार दी गई है।  
 दिनांक: क.का.प्र.सी.डी.डी.  
 Date: 1/7/21 JWM/CDD

AMENDMENTS	
D. C. (1.)	NATURE
ES/14/14 DT. 19-1-71	DRAWING PROVISIONALLY SEALED.
	SSOII C.I.E.



Freimaßtoleranzen: grab DIN 7168

Material material	KK 200	for measures without special tolerance = rough DIN 7168	
Maßstab measure	Brückenschlauchboot Pr-12-E Deckplatte für Holmgurktbesatz	Datum date	Name name
		gezeichnet signed	24-4-67 Sd/
1:2	FLOAT type Pr-12-E Cover for saddle strap trimming	geprüft checked	2-5-67 TA1
			3-5-67 TL
Covering plate for string piece fitting		Zeichnungs-Nr. drawing-No.	14-242/2

C

