

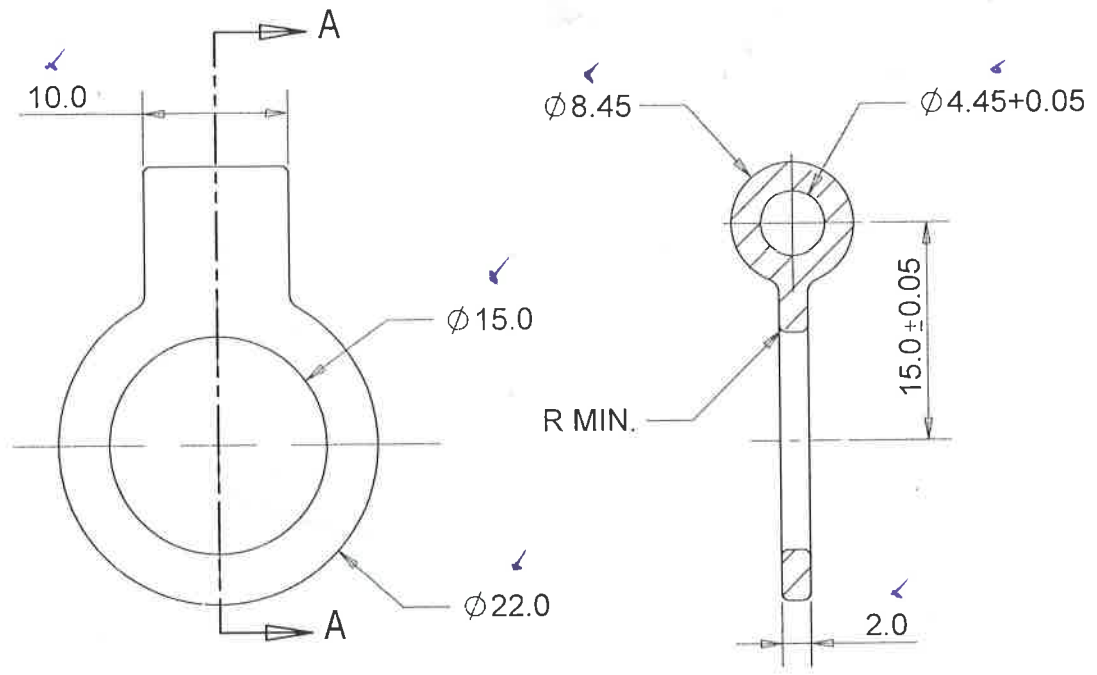
45

1	2	3	4
ISS	C	V	WA
S	SS	IC	DRG.No.
B 0 0 0 0	2 0 0 0	3 9 3 7	2 0 3 0 4 0 2 0

GEN TOL FINE/MEDIUM/COARSE
CLASS TO IS:2102

DRG CONVENTIONS CONFIRM TO INDIAN STDS.
DIMN IN mm UNLESS OTHERWISE STATED

CONTROL COPY No. 2



SECTION A-A

CONTROL COPY No. 1

REMOVE ALL SHARP EDGES AND BURRS.

Received on 29/11/15

1	09/11/2015	M-29	DRG. REVISED	---	<i>M. Sule?</i>	<i>Shyam</i>
SR No	DATE	AUTHORITY	BRIEF RECORD	ZONE	CD	GO
DRN PRANAV	CHD	<i>M. Sule?</i>	MATERIAL	SIGN		
APPD	DATE 09/11/15	<i>For Director</i>	STEEL TO IS:5517-1993, Gd-40C8 (En-8)	E		
SEALED DATE			PROTECTIVE FINISH PHOSPHATED TO SPECN. IS:3618-1966, CLASS 'B'			
SCALE 2:1	EST MASS		TITLE	F		
DESIGN AUTHORITY	ARDE PUNE 411021		LOOP SLING FRONT			
DRG.No.	0 2 0 4	0 3	0 2	3 7	3 9	0 0 2 0 0 D B
	IC	SS	S	AA	A	C SST
PART No	DS CAT No		AHSP			

1 2 3 4