

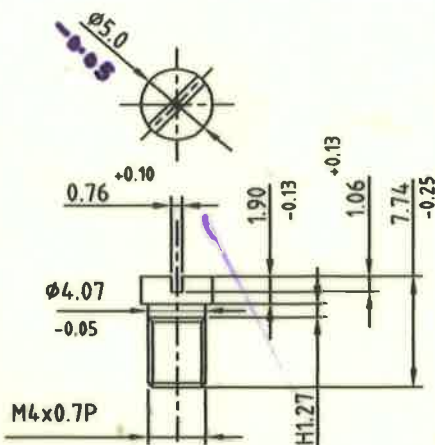
NO. QS/ISO-9000/DO/01
REV. NO. 00-DT. 09-06-2001

DATE

D.A.NO.

NATURE

J.W.M./D.O



MATERIAL:- IS:1570C40

HEAT TREATMENT- HARDNESS-213 TO 264 VHN

PROTECTIVE FINISH-

PHOSPHATED TO SPECN-JSS-0465-01:1988
CLASS II (- ACCELERATED) OIL FINISH.

DIMENSIONS ARE IN mm.

REVOLVER 32 (7.65mm) MK-III

SCREW PLATE BODY

DRAWN TRACED CHKD.

[Signature]

[Signature]
KALI

DATE 12-06-2006

APPROVED

[Signature]
14/6/06
JWM/DO

SCALE

2 : 1



SMALL ARMS FACTORY
KANPUR

DRG.NO.

PHMK-III-1-19

SHEET 1 OF 1