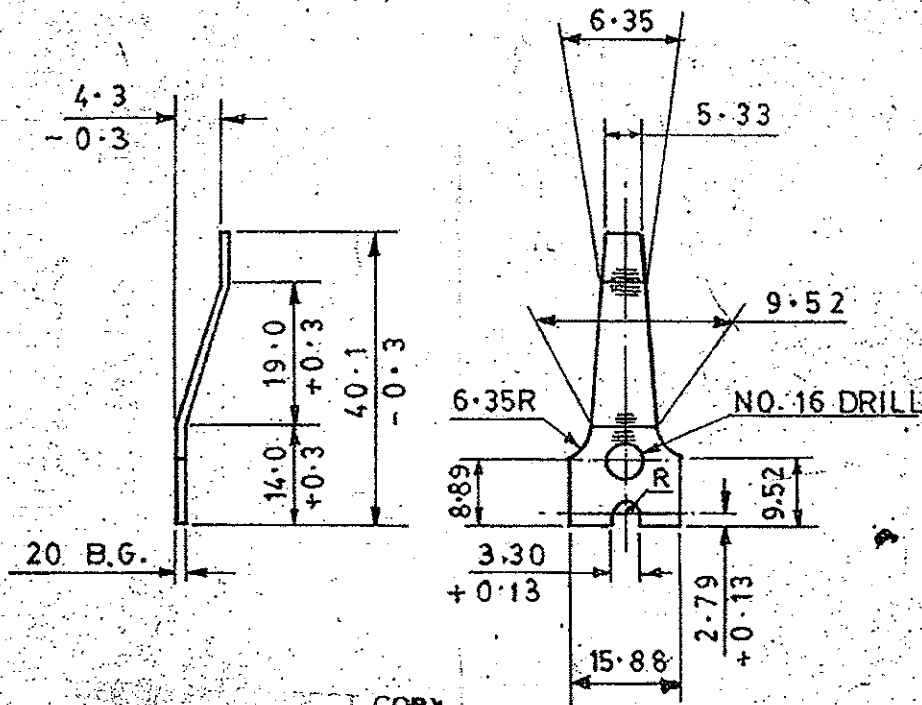


899100-9001

ON
D.S.CAT

DIMNS. ARE IN m.m.

FOR EXPLANATION OF DIMENSIONING ETC. SEE; ARDE NOTE SHT. NO.1



Design & Drawing Office
Guidance Factory,
Piruchirappalli-620018.

METRIC

UN CONTROLLED COPY

ICR 1260

28-2-2000	24643-SA	PROFORMA CHANGED, NEG. RE-TRACED AND DRG. RE-SEALED.		<i>Aruls</i>	<i>M.L.</i>
		PREVIOUS D.C. NOS. 10448-SA, 11001-SA, 11267 SA, 21937-SA & 23193-SA.			DAC COPY
DATE	AUTHY.	BRIEF RECORD	ZONE	I/C.D.O.	G.O.
SEALED :- D.C. NO. 10448-SA, DT. 13.4.70				SIGN.	
DRN.	CHD.	TRD. <i>Aruls</i>	COMP. <i>M.L.</i>	AHSP CQA(SA) ICHAPUR	
SCALE :- 1:1		EST. MASS		ASSY. 1005-001665	
DT. 28-2-2000	<i>Aruls</i> I/C, D.O.	APPROVED	DT. 19.6.67	NEG. RE-TRACED	
MATERIAL :- STEEL BS:5770 PT,2-1981 Gr.70					
H.T/HARDNESS :- HARDENED & TEMPERED TO A H.V. OF 425 TO 500				DGNR'S REF. ARDE 657/228	
PROTECTIVE FINISH :- PHOSPHATE TO SPECN. JSS:0465-01-1988 CLASS 1, OIL FINISH.				PART NO.	
NOMENCLATURE :- <u>SPRING TRAP</u>				DRG. NO.	
				D.S.CAT. 1005-001668	
				NO.	