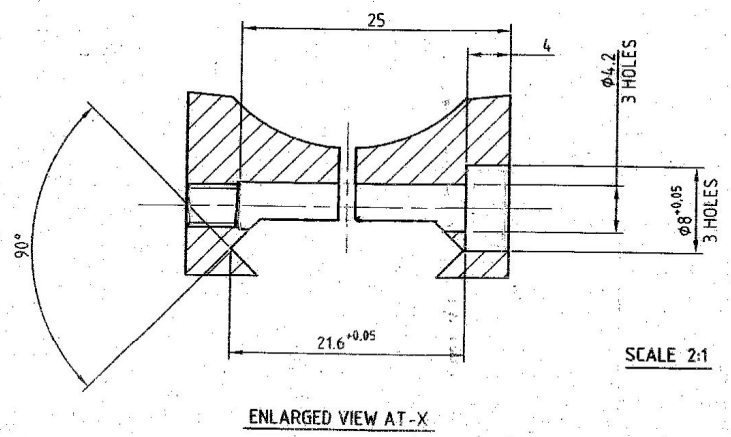
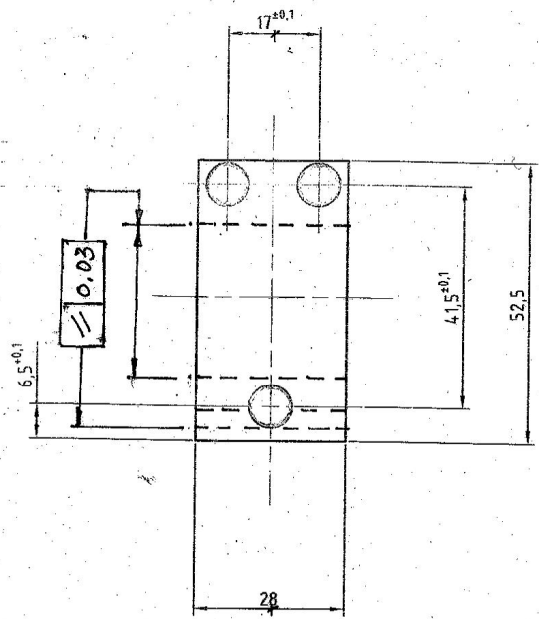
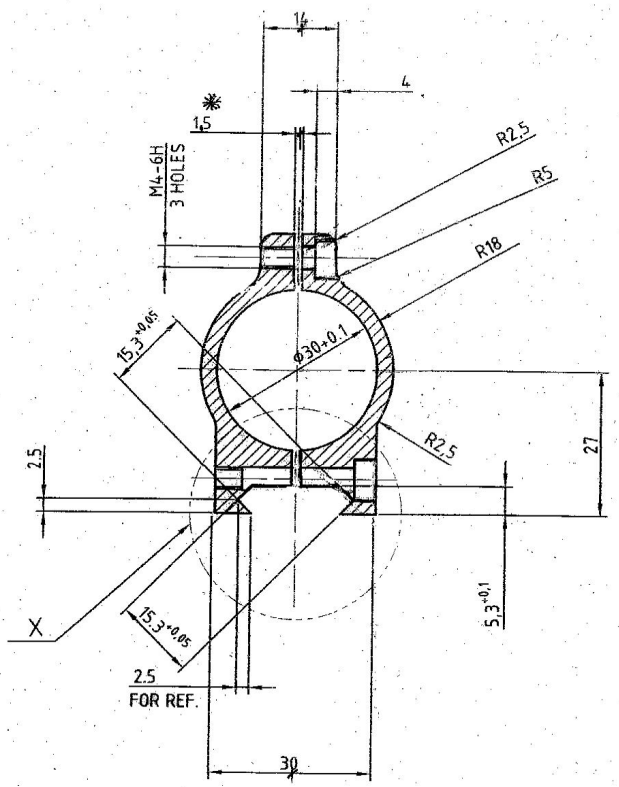


MATERIAL: AL ALLOY IS 736-83 Gr.24345 (WP)
 SURFACE FINISH: ∇

TREATMENT HARDNESS: T6
 PROTECTIVE FINISH: ANODIC OXIDATION BLACK



270918

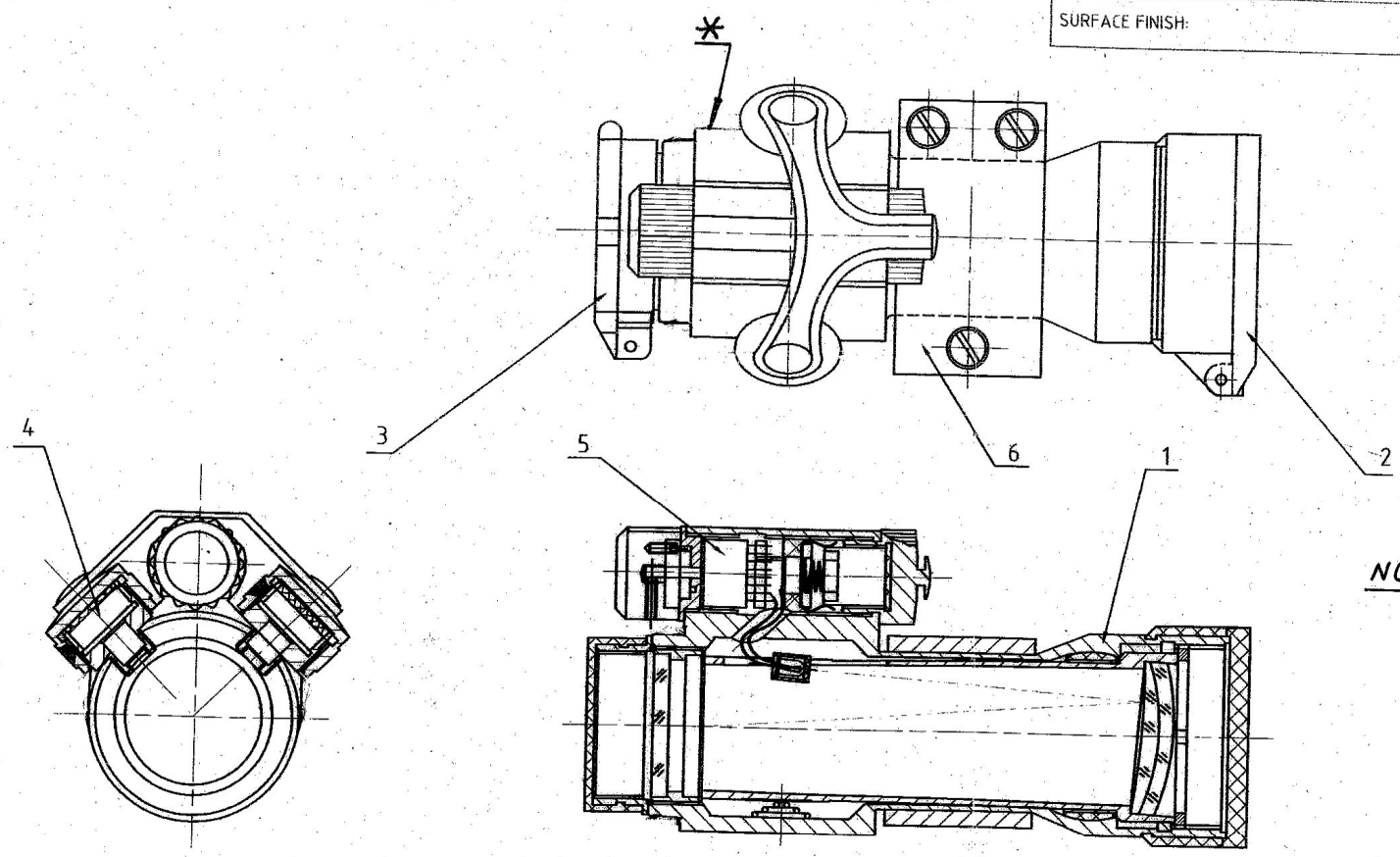
NOTE:-

- SHOULD BE BLACK POWDER PAINT ON OUTER SURFACE OF THE HOLDER EXCEPT HOLES
- * DIMENSION FOR SLITTING AFTER MANUFACTURING THE MOUNT.

व्यापार हेतु
 FOR TRADE ONLY

ITEM	DESCRIPTION	No. OFF	MATERIAL	REMARKS
LIST OF PARTS				
COMPT. No.	ASSY. DRG. REF: DOT SIDE	OPTO ELECTRONICS FACTORY DEHRADUN		
2007	GEN. TOL IS 2102-m (PT.-1)	TITLE		
DRAWN	16-04	MOUNT FOR MGL GUN & CARBINE GUN		
CHECKED	16-04	REF. OLF/MCP/RDS/99 dt. 13/6/2012 M 1		
HOS	16-04	DRG.No. OLF/R&D/RDS/001-06.01		
	NAME	DATE		
D.A.No.	DT./SIGN	DESCRIPTION		
AMENDMENTS				
AWM/ R&D		M/Yr		
		4/2007		
APPROVED				
			SCALE: 1:1	
			SHTS: 03	SHT No: 03

MATERIAL:	TREATMENT
SURFACE FINISH:	HARDNESS:
	PROTECTIVE FINISH:



NOTE: * ENGRAVING :- LETTER SIZE 2.5 mm.

RED DOT SIGHT 270918
 (i) MFG. OLF, D. DUN YEAR
 (ii) REGD. No. RJ.001 TO ONWARD

व्यापार हेतु
 FOR TRADE ONLY

OLD NO. 036006

ITEM	DESCRIPTION	No. OFF	MATERIAL	REMARKS
LIST OF PARTS				
COMPT. No.	ASSY. DRG. RED DOT SIGHT	OPTO ELECTRONICS FACTORY DEHRADUN		
2007	GEN. TOL. IS 2102-m (Pt.-1)	TITLE		
DRAWN	19-04	RED DOT SIGHT MAIN ASSY		
CHECKED	19-04	REF.		
HOS	19-04	M1		
NAME		DATE	DRG. No. OLF/R&D/RDS/001	
AWM/R&D		M/Yr.	SCALE: 1:1	SHTS. 02
APPROVED		04/2007	SHT No. 02	

D.A.No.	DT./SIGN	DESCRIPTION
		MATTERS AMENDED
AMENDMENTS		

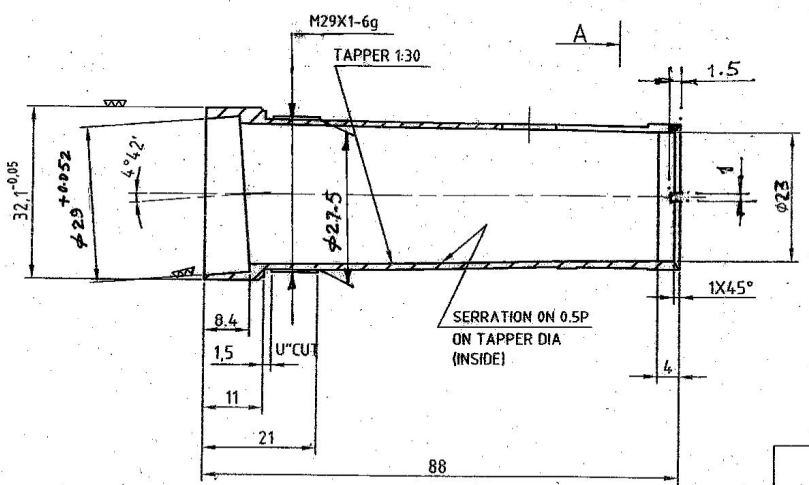
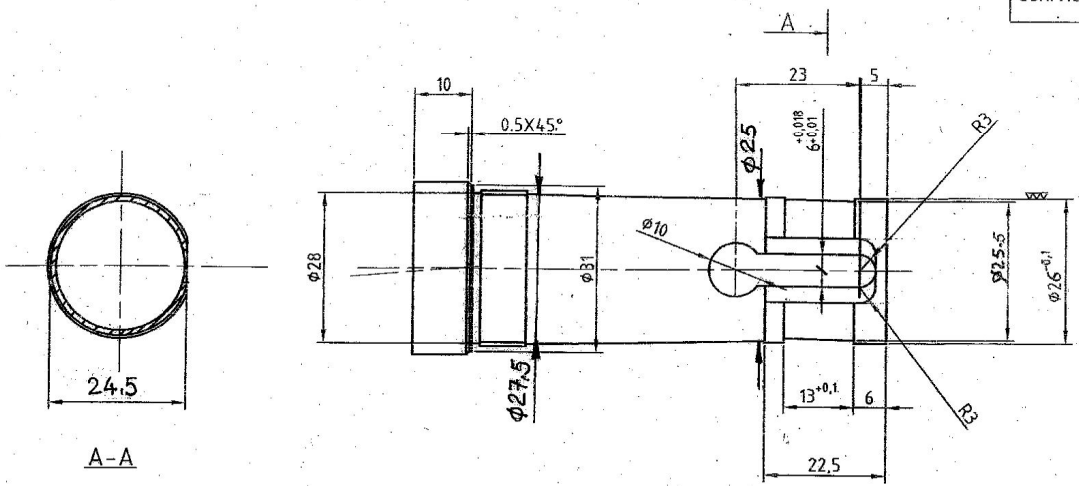
(i) OLF/DO/DA/BS

JE Gm/RC

24.7.2015

[Signature]

MATERIAL: AL ALLOY IS 733 : 83 GR 24345(WP)	TREATMENT: 76 HARDNESS:
SURFACE FINISH: $\nabla \nabla (\nabla \nabla)$	PROTECTIVE FINISH: ANODIC OXIDATION BLACK



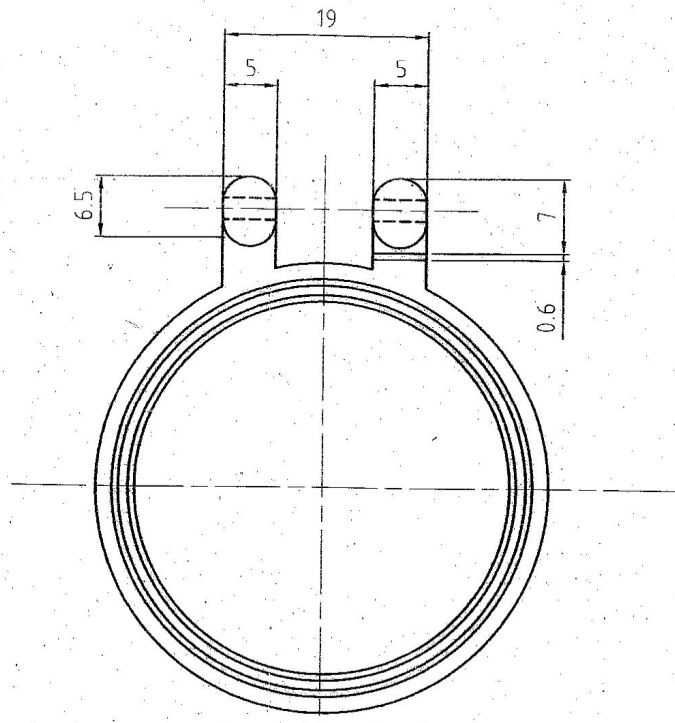
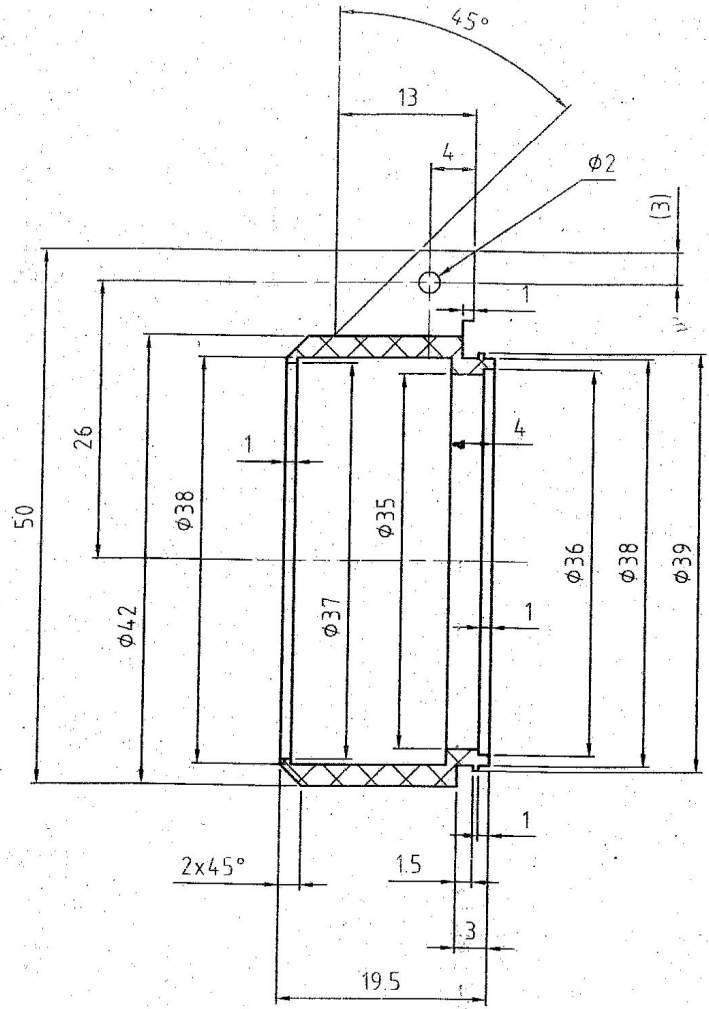
270918
 व्यापार हेतु
 FOR TRADE ONLY

ITEM	DESCRIPTION	No. OFF	MATERIAL	REMARKS
LIST OF PARTS				
COMPT. No.	ASSY. DRG. RED DOT SIGHT	OPTO ELECTRONICS FACTORY DEHRADUN		
2007	GEN. TOL. IS 2102-m (Pt. II)	TITLE HOLDER		
DRAWN	AGH	16-4	REF. M2	
CHECKED	QD	16.4.	DRG.No. OLF/R&D/RDS/001.01.02	
HOS	QD	16.4.		
	NAME	DATE		
D.A.No.	DT./SIGN	DESCRIPTION	AWM/R&D	M/Yr. 4-07
AMENDMENTS			APPROVED	SCALE: 1:1 SHTS. 16 SHT. No. 04

OLD NO.031001

MATERIAL:	SYNTHETIC RUBBER NITRILE BLACK BA-3 RHD 51-60 TO BS: 2751-56
SURFACE FINISH:	▽▽

TREATMENT HARDNESS:	
PROTECTIVE FINISH:	



270.918

व्यापार हेतु
FOR TRADE ONLY

No.OFF-01

OLD NO. 033001

D.No.	DT./SIGN	DESCRIPTION
		AMENDMENTS

ITEM	DESCRIPTION	No.OFF	MATERIAL	REMARKS
LIST OF PARTS				
COMPT. No.	ASSY. DRG.	OPTO ELECTRONICS FACTORY DEHRADUN		
2007	RED DOT SIGHT	TITLE HOLDER		
DRAWN	GEN. TOL. JS 2102-m (PART-II)	16/4	REF. M	
CHECKED		16.4	DRG.No. OLF/R&D/RDS/001.02.01	
HOS		16.4	SCALE: 2:1	
	NAME	DATE	SHTS. 06 SHT. No. 03	
	AWM/ R&D	M/Yr. 4/07		
APPROVED				