

DRAWING NUMBER

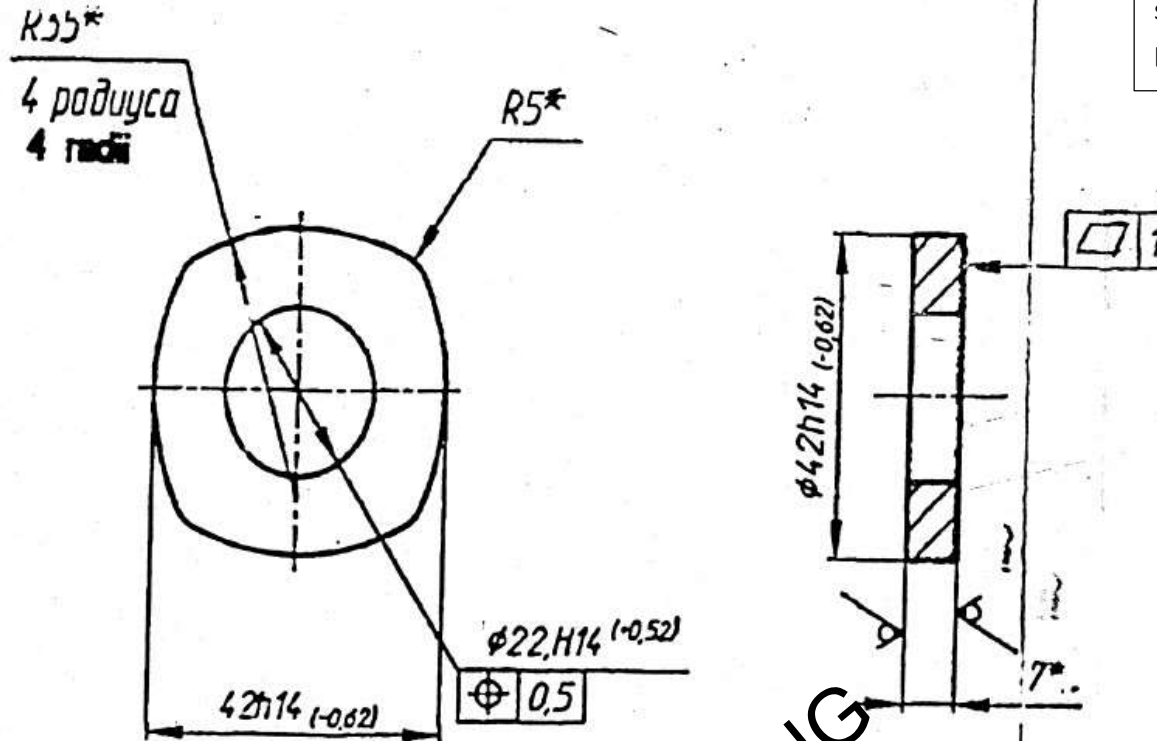
219.35.186

SHEET No. 1 OF 1

No part of these drawings may be reproduced in any form without prior permission in writing of OFM.

Rz320/ V (M)

These drawings are only for reference actual drawings may be different and shall be issued at the time for procurement.



1. 368... 471 HB.
2. Alternate material is steel 60C2A GOST 14959-79.
3. Tumbled burr to $0^{+0.5}$ mm is permitted.
4. * Dimensions for reference.
5. *¹ Ensure dimensions by tool.
6. Other requirements are as per 520.TY 1.

LTR. NO. 07262/T-90/TRACK/ID/DT: 11/04/05

INDICATIVE DRAWING

DRAWINGS AND DOCUMENTS ARE CONFIDENTIAL
 UNAUTHORIZED DISCLOSURE TO
 INVITE
 BY ORDER St. GM. HVF

DRG. INDIANISED BASED ON RUSSIAN ORIGINAL ISSUE - NIL

356
 SUPPLY CODE
 U-01-1-1
 D90013
 F-13
 7
 SIZE A3

PILOT SAMPLE SHOULD BE APPROVED BY A H S P BEFORE BULK PRODUCTION.

EST. WT. (Kg) 0.05
 TO BE STAMPED OR MARKED WHERE INDICATED THUS # (LETTERS)

ALL SHARP EDGES AND CORNERS TO BE REMOVED UNLESS OTHERWISE STATED MACHINED CORNERS TO HAVE R OUTSIDE R INSIDE EQUIVALENT CHAMFERS ARE PERMISSIBLE.

8	7	6	ISSUE	DATE	NATURE OF AMENDMENTS

DRN	CHD	APPD	DATE	SCALE:- 1 : 1	DIMENSIONS IN mm	TOLERANCE ON DIMNS UNLESS OTHERWISE STATED IS : 2102 - 69	ALL THREADS TO CONFORM TO	MATERIAL :- SHEET 7 GOST 19903-74 85T GOST 1577-93	USED ON:- 172. 55. 010 cb-1 IND. SET	CONTROLLERATE OF QUALITY ASSURANCE (HEAVY VEHICLES) AVADI	TITLE:- WASHER	D S CAT NUMBER	DRAWING NUMBER 219.35.186
-----	-----	------	------	---------------	------------------	---	---------------------------	--	--------------------------------------	---	----------------	----------------	---------------------------