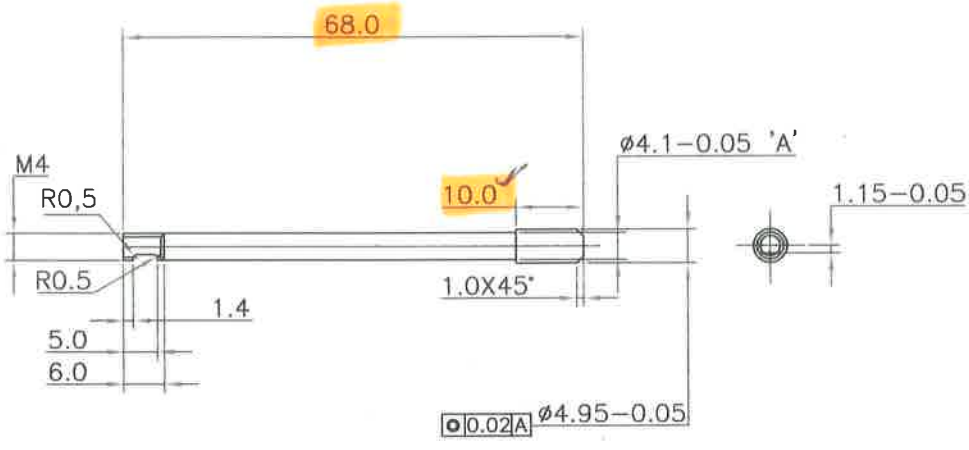


1 2 3 4
 ICSS C V W S SS IC
 0 0 0 0 3 0 0 9 0 0 0 2 0 3 0 4 0 2 0

GEN TOL FINE/MEDIUM/COARSE DRG CONVENTIONS CONFIRM TO INDIAN STD CLASS TO IS:2102 DIMN IN mm UNLESS OTHERWISE STATED



NOTES:-1) REMOVE ALL SHARP EDGES AND BURRS.
 2) HARDNESS :300-350 H.V.

2	12/12/16	M-36	DIMN. 68.0 WAS 65.0 DRG REVISED & VIEWS AMMENDED	B-2
1	05/01/16	M-31	DIMN. 1.0X45° ADDED	C-2,3

S No	DATE	AUTHORITY	BRIEF RECORD	ZONE	CD	GO
					SIGN	

DRN PRANAV CHD MATERIAL: STEEL TO IS: 5517-1993, Gd 55C8 (EN-9)

APPD DATE 12/12/2016 for Director PROTECTIVE FINISH: PHOSPHATED TO SPECN. IS:3618-1966, CLASS 'B'

SCALE 1:1 EST MASS TITLE

DESIGN AUTHORITY ARDE PUNE-21 **ROD FRONT SPRING RECOIL**

DRG.No. 0 2 0 4 0 3 0 2 0 0 0 6 0 0 3 0 0 D C
 IC SS S AA A C SST

PART No DS CAT No AHSP

MODIFIED - 13-12-2016