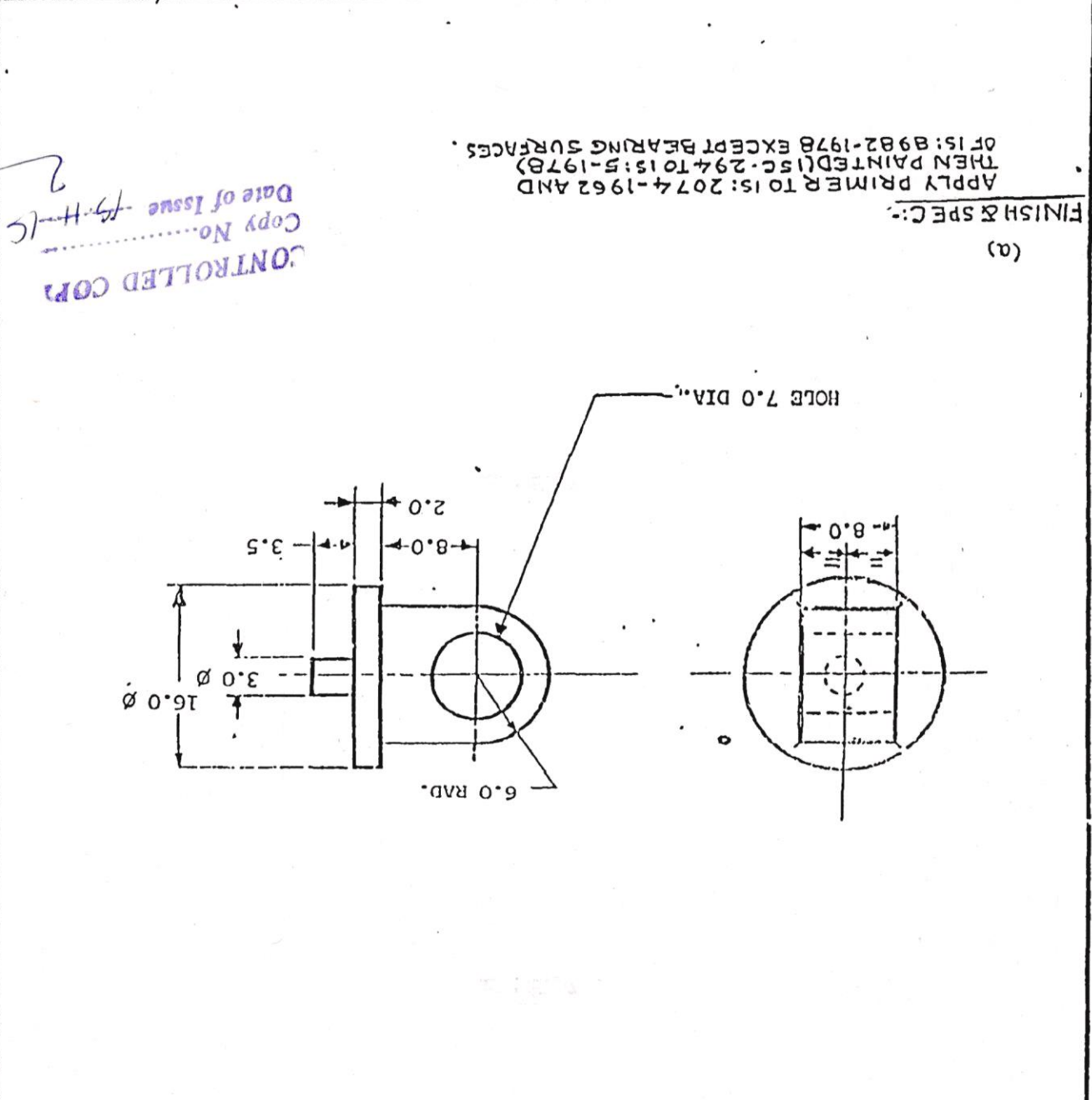


POLY. NEG. PREPARED AT QA(II) DEHRA DUN
 PREPARED BY : *Ganesh*
 CHECKED BY : *S. J. Singh* DATE:

D.C.(I):-0455-I(P), 2002-I, 2091-I, 3165-I, 3777-I, 5663-I, 5761-I, 5792.I.

TITLE:-		EYE, LOCKING	
FINISH & SPEC	TO BE PRINTED WITH LATEST APPROVED SERVICE	FINISH & SPEC	COLOUR EXCEPT BEARING SURFACES - SEE ABOVE.
MATL & SPEC	STEEL, S-1570/C-30	MATL & SPEC	C-30 TO IS: 1570-1961.
SYMB	AMENDMENTS	CHD	SIG
	DATE	USED	ON
	(a) D.C.: 5792-I. MATL. AND FINISH AMENDED.	5.11.93	W
	D.C.-5761-I POLY. NEG. PREPARED & NEW COPY SEALED IN REPLACEMENT OF EXISTING ONE.	3-9-93	W
DRN	Sd/- APPROVED	TCD	Sd/- FOR Sd/-
CHD	Sd/- COORD. DUN	CHD	Sd/- COORD. DUN
CHD	DATE: 5.6.69	CHD	DATE: 5.6.69
USED	ON	USED	ON
BASED ON	ON	BASED ON	ON
CAT/PT	5340-001914	CAT/PT	5340-001914
DRG No	IRDE-328/5	DRG No	IRDE-328/5
SCALE	SH	SCALE	SH



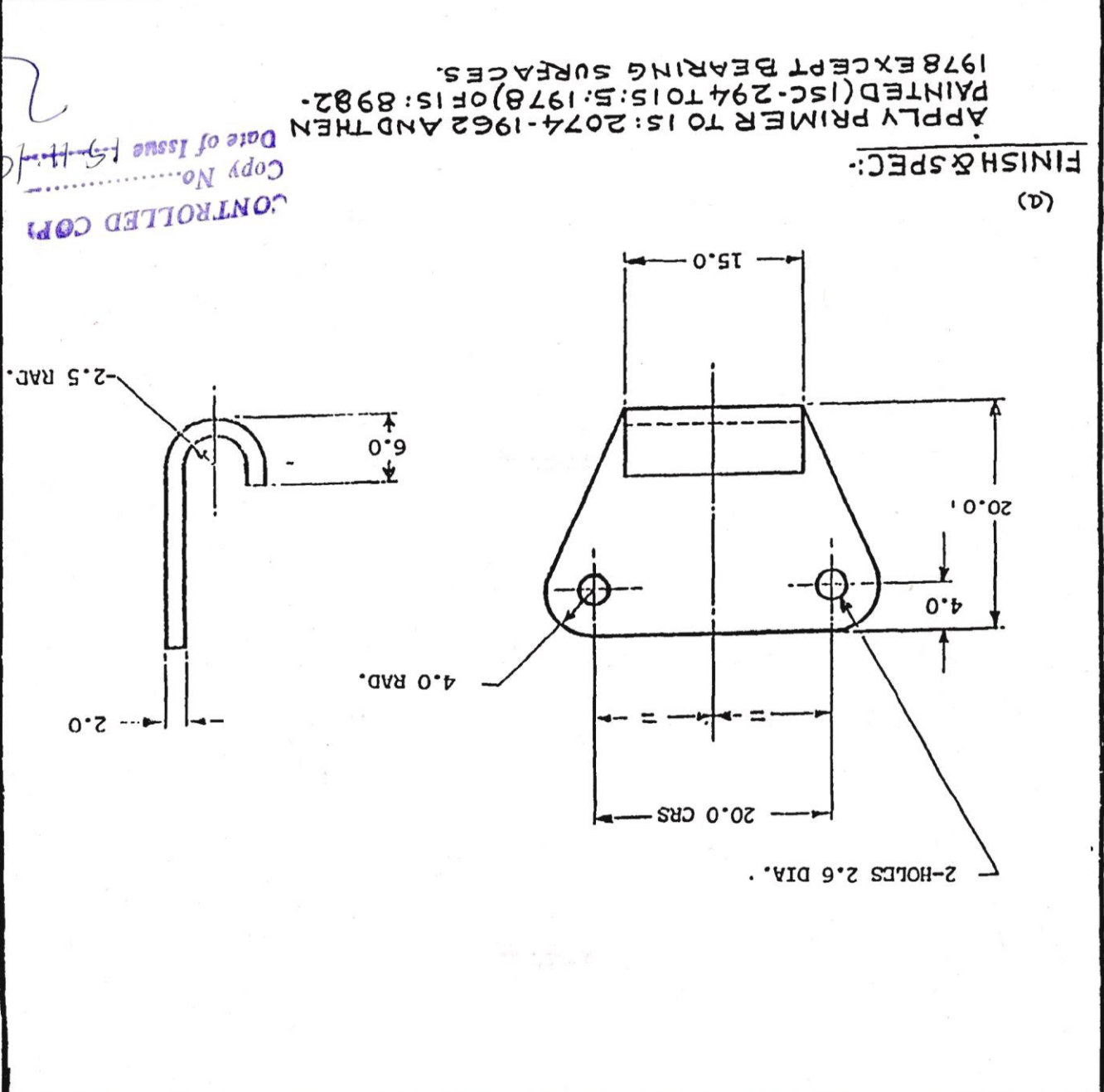
FOR EXPLANATION OF DIMENSIONING ETC, SEE CQA(I) GUIDE NO. 001-1992. THIRD ANGLE PROJECTION. DIMENSIONS ARE IN mm.

CONTROLLED COPY
 Copy No.
 Date of Issue 19-11-15

19

REQUESTER/LEG PREPARED BY : COA(I) DEHRA DUN
 PREPARED BY : *Gyanendra*
 CHECKED BY : *Sagar Khatiwala* DATE: 20.8.93
 D.C. (I) :- 0630-I(P), 0785-I(P), 3113-I, 3418-I, 5563-I, 5585-I, 5760-I, 5792-I.

TITLE: 1		HOOK	
FINISH & SPEC		TO BE PAINTED WITH LATEST APPROVED SERVICE COLOUR. SEE ABOVE.	
MATERIAL SPEC		CARBON STEEL SHEET DEEP DRAWING IS: 513-1986	
SYMB		AMENDMENTS	
D.C. - 5760-I. POLY. NEG. PREPARED NEW COPY SEALED IN REPLACEMENT OF EXISTING ONE.		CHD	5.9.93
(A) D.C. - 5792-I. FINISH AMENDED.		CHD	5.11.93
		CHD	
		TCD	
		DRN	
BASED ON		ON	
CAT/PT No		5340-002471	
DRG No		IRDE-328/6	
SCALE		SH OF	



FOR EXPLANATION OF DIMENSIONING ETC. SEE 'COA(I) GUIDE No 001-1992 THIRD ANGLE PROJECTION. DIMENSIONS ARE IN mm

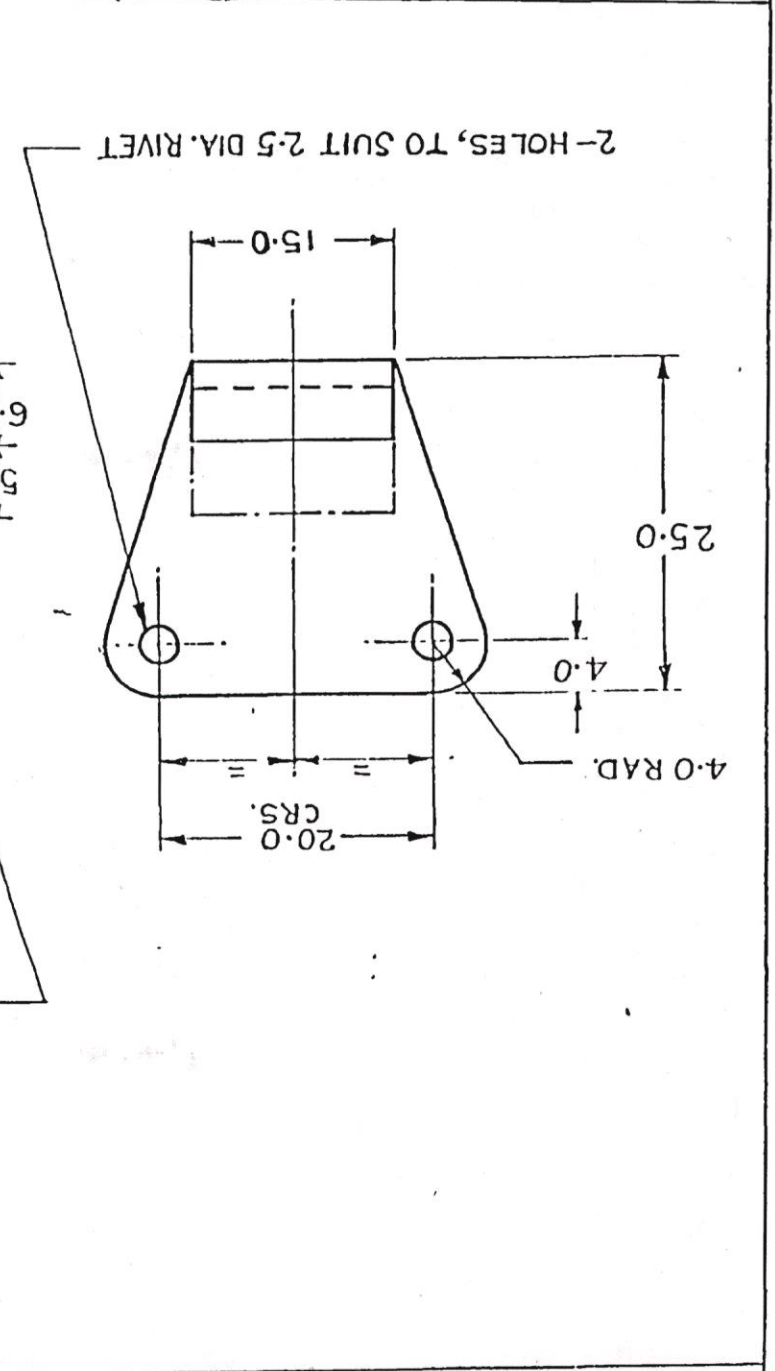
95

DRG. RETRACED AT CII, DEHRA DUN
 TRACED BY:- *Shamir*
 CHECKED BY:- *Shamir*
 DATE:-11.9.80

D.C.(I):-0455-I (P), 2002-I, 2091-I, 3515-I, 5564-I, 5583-I, PLYESTER NEGATIVE PREPARED AT CQA(I) D. SUN
 5773-I, 5839-I.
 PREPARED BY:- *Shamir*
 CHECKED BY:- *Shamir*
 DATE:-7/11/83

AMENDMENTS	
SIG.	DATE
Sd/-	14.7.69
Sd/-	1.4.70
Sd/-	15.1.71
Sd/-	20.12.76
Sd/-	27.4.92
Sd/-	22.8.92
Sd/-	9.10.93
Sd/-	8.4.94

DRAWN: TRACED		APPROVED	
Sd/-	Sd/-	Sd/-	Sd/-
CHECKED		FOR DIRECTOR	
Sd/-	Sd/-	DEHRA DUN	
SCALE:-2:1		DATE:-29.5.69	
DRG. No.			
IRDE 379/9			
CAT/PT. No.			
5340-002424			
SHS			
SH			



2-HOLES, TO SUIT 2.5 DIA. RIVET

4.0 RAD.

20.0 CRS.

2.5 RAD

6.0

5.0

2.0

THIS PORTION TO BE REMOVED WHILE NOT CLOSING TO FORM HINGE.

CONTROLLED COPY

Copy No.

Date of Issue 19-11-76

FOR EXPLANATION OF DIMENSIONING ETC., SEE CQA(I) GUIDE No. 001-1992
 THIRD ANGLE PROJECTION
 DIMENSIONS ARE IN mm

21