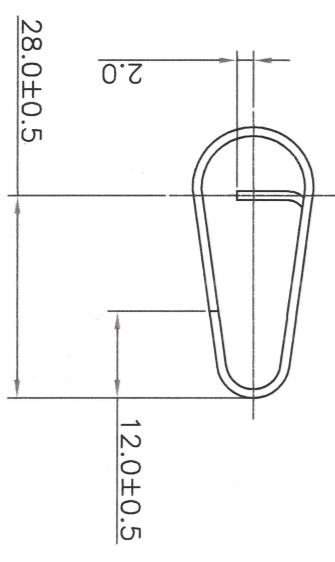
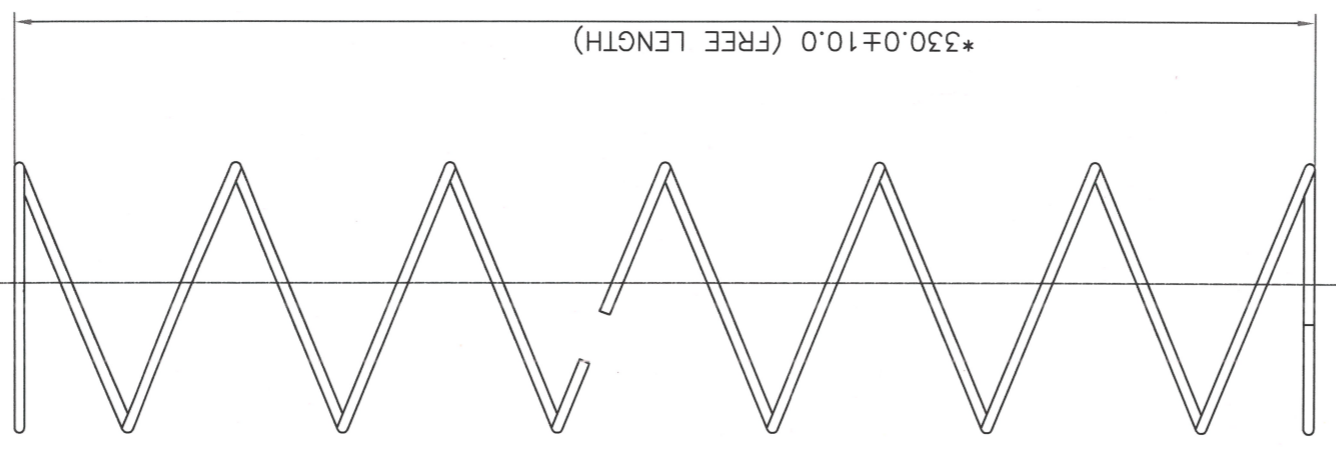
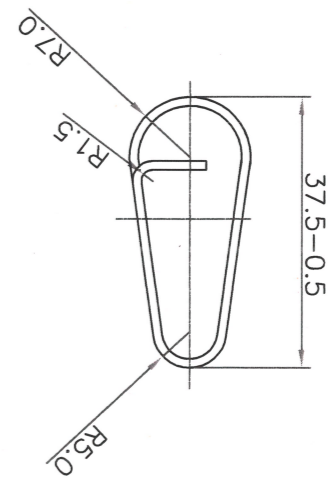
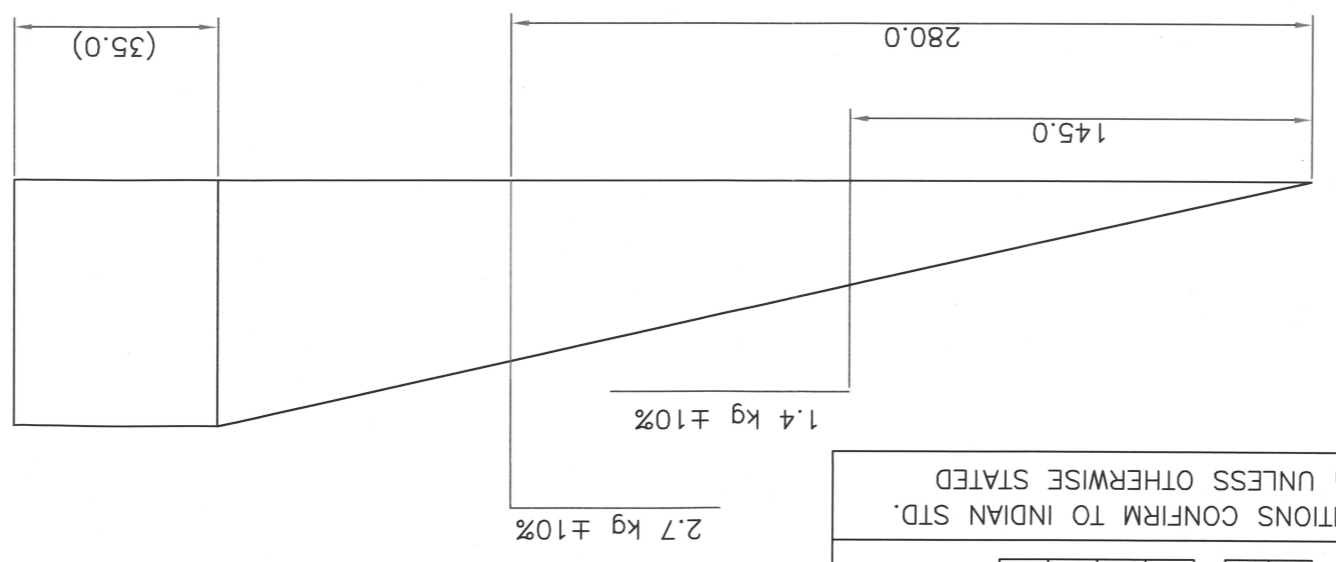
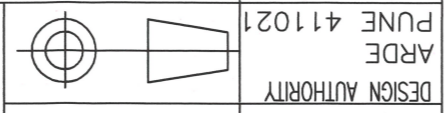


DRG. No. **020403020000602000**
 CLASS TO IS:2102
 GEN. TOL. FINE/MEDIUM/COARSE
 DRG. CONVENTIONS CONFIRM TO INDIAN STD.
 DIMN. IN mm UNLESS OTHERWISE STATED



- NOTES:
1. WIRE DIA. : 1.4 mm
 2. NO. OF ACTIVE COILS : 25
 3. WOUND : RH OR LH

1. * SHOULD BE CONFIRMED AFTER THE CRAMP TEST OF 24 HOURS.
2. INTERNAL STRESSES TO BE RELIEVED.
 3. END COIL ON BOTH SIDES TO BE MADE FLAT (ZERO PITCH) AS SHOWN IN DRG.
 4. REMOVE ALL SHARP EDGES AND BURRS.



DRG. No.	020403020000602000		
PART No.	DS CAT. No.		
SCALE	1:1		
EST. MASS			
TITLE	OVAL SPRING PLATFORM		
DATE			
SEALED			
DATE 04/01/2017	For Director		
APPD.			
DRN. PRANAV			
CHD.			
MATERIAL:	SPRING STEEL TO IS:4454 (Pt.-1) 2001, DH		
BRIEF RECORD			
ZONE			
SIGN			
GO			
Sr. No.	DATE	AUTHORITY	
1.	13/07/16	M-34	DRG. REVISED VIEW AMMENDED
2.	12/08/16	M-35	DRG. REVISED VIEW AMMENDED
3.	04/01/17	M-37	DRG. REVISED VIEW AMMENDED